

# **CHERY**

RD254 Wheeled Tractor

## **Parts Catalog**

---

**英文版**

**CHERY HEAVY INDUSTRY CO.,LTD.**

RD254 Wheeled Tractor  
Parts Catalogue

Chery Heavy Industry Co., Ltd.



## Brief Introduction of the Content

This catalogue systematically introduces main part names, part codes, part use amount of related assemblies and the like of RD254 wheeled tractor through parts illustrations and parts lists and is used in service, maintenance and repair.

## Foreword

RD254 wheeled tractor is one of series of leading products of Chery Heavy Industry Co., Ltd. This model has the characteristics of compact structure, convenience in control, flexible steering, great traction force, extensive use, convenience in maintenance, etc., can carry out various field works such as ploughing, raking, sowing, harvesting, etc. together with corresponding agricultural implements and can be used for transportation work and fixed power such as power generation, irrigation and drainage, etc.

Along with the development of science and technology and use requirements, product structure will be improved and perfected constantly. Except for amendments in republication, catalogue content and actual structure may be slightly different without prior notice. User shall not make any unjustifiable claim based on parts lists and parts illustrations in this catalogue. Please note. Since inadequacies are inevitable because the content of this catalogue is too much, we sincerely hope that the majority of users can put forward valuable opinions and suggestions for further improvement and perfection.

Chery Heavy Industry Co., Ltd. has the copyright, amendment and explanation rights of the parts catalogue. No entity or individual shall reprint, publish or duplicate this parts catalogue without the consent of Chery Heavy Industry Co., Ltd.

Chery Heavy Industry Co., Ltd.

June, 2013

## Table of Contents

S/N	Code Name	Name and Specification of Part	Applicable Model		Page
			RD254-A	RD254-A	
			RD254-LC1 H2J1MNP2-C	RD254-LC1D1H2J 1MNP2-C	
1	D250.11C.001	Air cleaner assembly	✓	✓	1
2	D250.13C.001	Cooling system assembly	✓	✓	3
3	D304.20.001	Control mechanism assembly-1	✓	✓	5
4	D304.20.001	Control mechanism assembly-2	✓	✓	7
5	D250.212B	Clutch control mechanism assembly	✓	✓	9
6	D250.22C	Exhaust system assembly	✓	✓	11
7	D254.311G	Front driving axle sub-assembly-1	✓	✓	13
8	D254.311G	Front driving axle sub-assembly-2.1	✓	✓	15
9	D254.311G	Front driving axle sub-assembly-2.2	✓	✓	17
10	D254.311G	Front driving axle sub-assembly-3.1	✓	✓	19
11	D254.311G	Front driving axle sub-assembly-3.2	✓	✓	21
12	D254.311G	Front driving axle sub-assembly-4.1	✓	✓	23
13	D254.311G	Front driving axle sub-assembly-4.2	✓	✓	25
14	D254.311G	Front driving axle sub-assembly-5	✓	✓	27
15	D254.311G	Front driving axle sub-assembly-6	✓	✓	29
16	D254.312C	Bracket assembly	✓	✓	31
17	D254.313G	Front support assembly	✓	✓	33
18	D254.314G	Rear support assembly	✓	✓	35
19	D254.32.001	Front wheel assembly	✓	✓	37
20	FD250.34B.001	Rear driving wheel assembly	✓	✓	39
21	FD250.35.001	Traction device assembly	✓	✓	41
22	D254.361B	Shuttle gear shift assembly-1	✓	✓	43
23	D254.361B	Shuttle gear shift assembly-2	✓	✓	47
24	D250.362F	Shuttle gear shift control mechanism assembly	✓	✓	49
25	D254.371D	Transmission assembly-1	✓	✓	51

## Contents

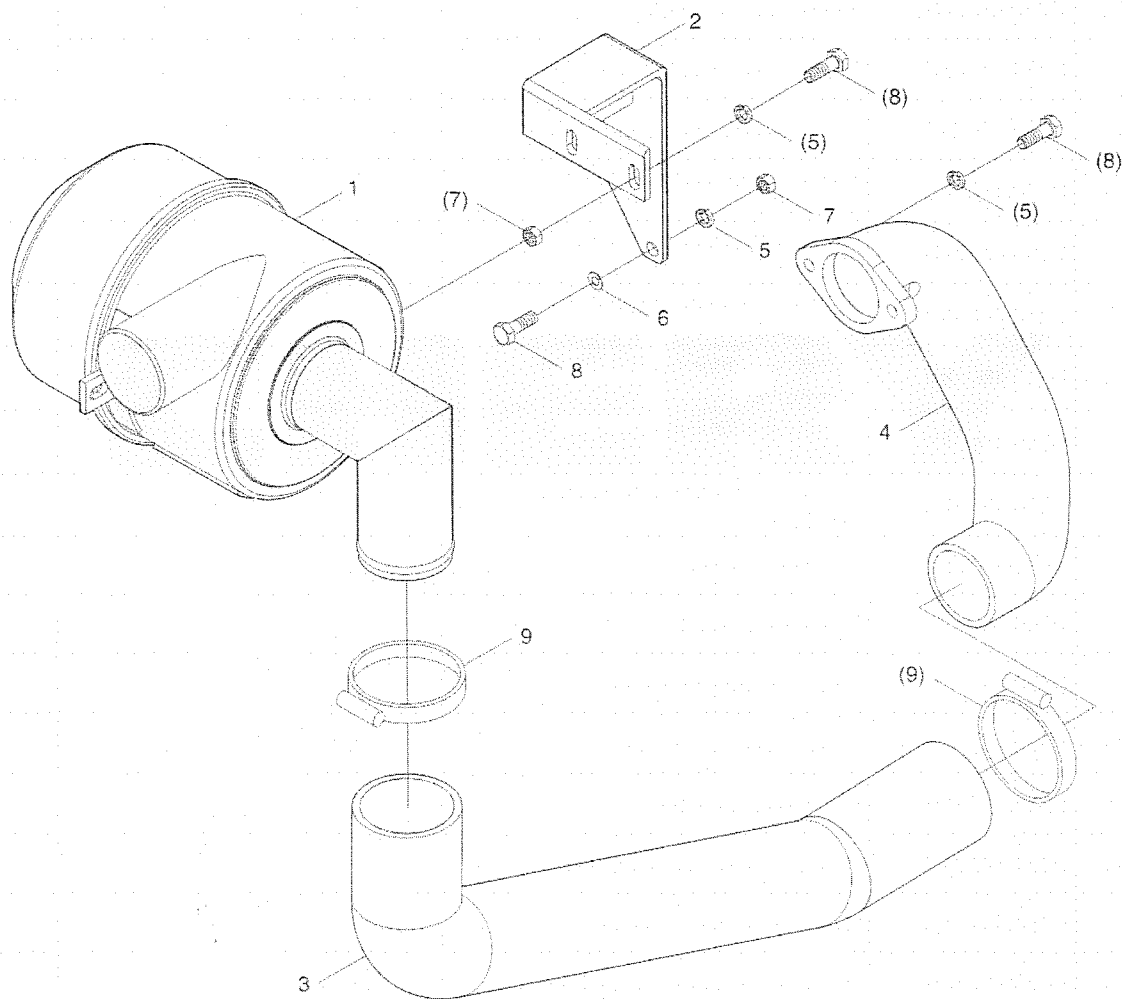
S/N	Code Name	Name and Specification of Part	Applicable Model		Page
			RD254-A	RD254-A	
			RD254-LC1 H2J1MNP2-C	RD254-LC1D1H2J 1MNP2-C	
26	D254.371D	Transmission assembly-2	✓	✓	55
27	D250.372B	Rear countershaft assembly of transmission-1	✓	✓	57
28	D250.372B	Rear countershaft assembly of transmission-2	✓	✓	61
29	D300.373	Transmission case control mechanism assembly-1	✓	✓	63
30	D300.373	Transmission case control mechanism assembly-2	✓	✓	65
31	D300.373	Transmission case control mechanism assembly-3	✓	✓	69
32	FD250.37B.028	Right semiaxle assembly	✓	✓	71
33	FD250.37B.029	Left semiaxle assembly	✓	✓	73
34	D254.40.001	Hydraulic steering system assembly-1	✓	✓	75
35	D254.40.001	Hydraulic steering system assembly-2	✓	✓	77
36	D254.40.001	Hydraulic steering system assembly-3	✓	✓	79
37	D250.411B	Power take-off shaft assembly	✓	✓	81
38	D250.412B	Power take-off gear assembly	✓		83
39	D250.412C	Power take-off gear assembly		✓	85
40	D250.413C	Power take-off control mechanism assembly	✓	✓	87
41	D254.421B	Transfer case assembly-1	✓	✓	89
42	D254.421B	Transfer case assembly-2.1	✓	✓	91
43	D254.421B	Transfer case assembly-2.2	✓	✓	93
44	D254.422A	Transfer case driving shaft assembly	✓	✓	95
45	D254.423A	Transfer case control mechanism assembly	✓	✓	97
46	FD250.43.001	Brake control mechanism assembly-1	✓	✓	99
47	FD250.43.001	Brake control mechanism assembly-2	✓	✓	101
48	D250.44C	Driver's seat installation assembly	✓	✓	103
49	D250.45C.001	Floor and mudguard assembly-1	✓	✓	105
50	D250.45C.001	Floor and mudguard assembly-2	✓	✓	107

## Contents

S/N	Code Name	Name and Specification of Part	Applicable Model		Page
			RD254-A	RD254-A	
			RD254-LC1 H2J1MNP2-C	RD254-LC1D1H2J 1MNP2-C	
51	D250.45C.001	Floor and mudguard assembly-3	✓	✓	109
52	D250.46C.001	Safety frame assembly	✓	✓	111
53	D250.47C.001	Engine hood installing assembly-1	✓	✓	113
54	D250.47C.001	Engine hood installing assembly-2	✓	✓	115
55	D250.48C.001	Electrical equipment installation drawing-1	✓	✓	117
56	D250.48C.001	Electrical equipment installation drawing-2	✓	✓	119
57	D250.48C.001	Electrical equipment installation drawing-3	✓	✓	121
58	D250.48C.001	Electrical equipment installation drawing-4	✓	✓	123
59	D250.48C.001	Electrical equipment installation drawing-5	✓	✓	125
60	D250.48C.001	Electrical equipment installation drawing-6	✓	✓	127
61	RC800.49.010	Tool box assembly	✓	✓	129
62	D300.50E	Fuel tank assembly	✓	✓	131
63	D250.55	Lifter installing assembly-1	✓	✓	133
64	D250.55	Lifter installing assembly-2	✓	✓	135
65	FD250.57.001	Distributor assembly	✓	✓	141
66	D254.58A.001	Hydraulic system assembly-1	✓	✓	145
67	D254.58A.001	Hydraulic system assembly-2	✓	✓	147
68	FD250.56.001	Hitching mechanism assembly-1	✓	✓	149
69	FD250.56.001	Hitching mechanism assembly-2	✓	✓	151
70	D250B.80	Air brake pipe assembly	✓	✓	153
71	D250.74C.001	Front weights assembly	✓	✓	155
72	D250.91.001	Rear weights assembly	✓	✓	157



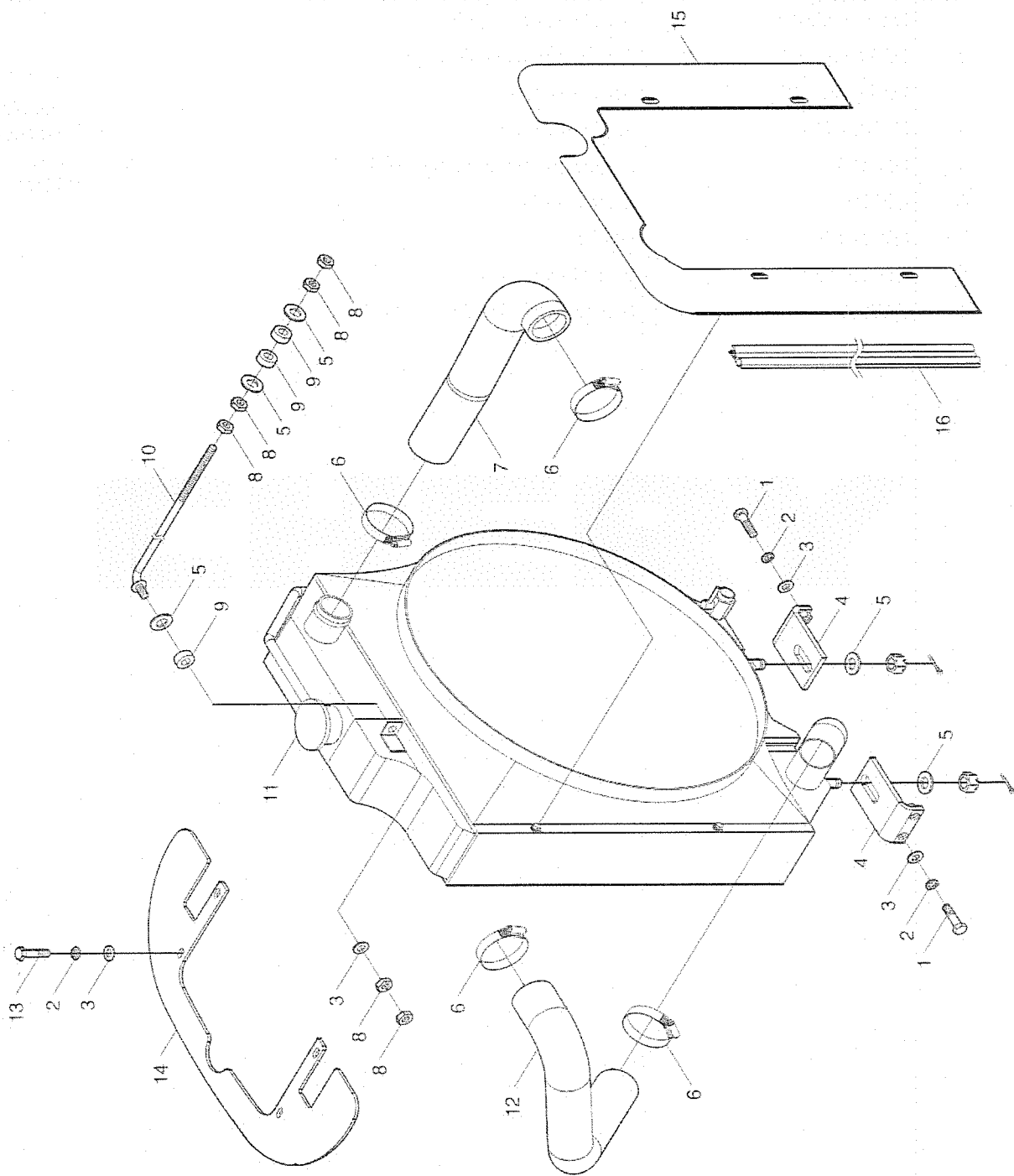
D250.11C.010 Air Cleaner Assembly



## D250.11C.001 Air Cleaner Assembly

S/N	Code and Specification of Part	Parts Name	Quantity	Remark
1	D250.11C.010	Air cleaner assembly	1	
2	D250.11C.030	Air filter bracket welding		
3	D250.11C.101	Air intake hose	1	Cloth-inserted oil-resisting hose HT200
4	D250.11C.102	Air intake pipe	1	
5	GB/T93	A-type combination washer 8	2	
6	GB/T93	Washer 8-A0P	2	
7	GB/T6170	Nut M8	2	
8	GB/T5783	Bolt M8X25-A3L	2	
9	Q67689	B-type worm drive hose clip	2	

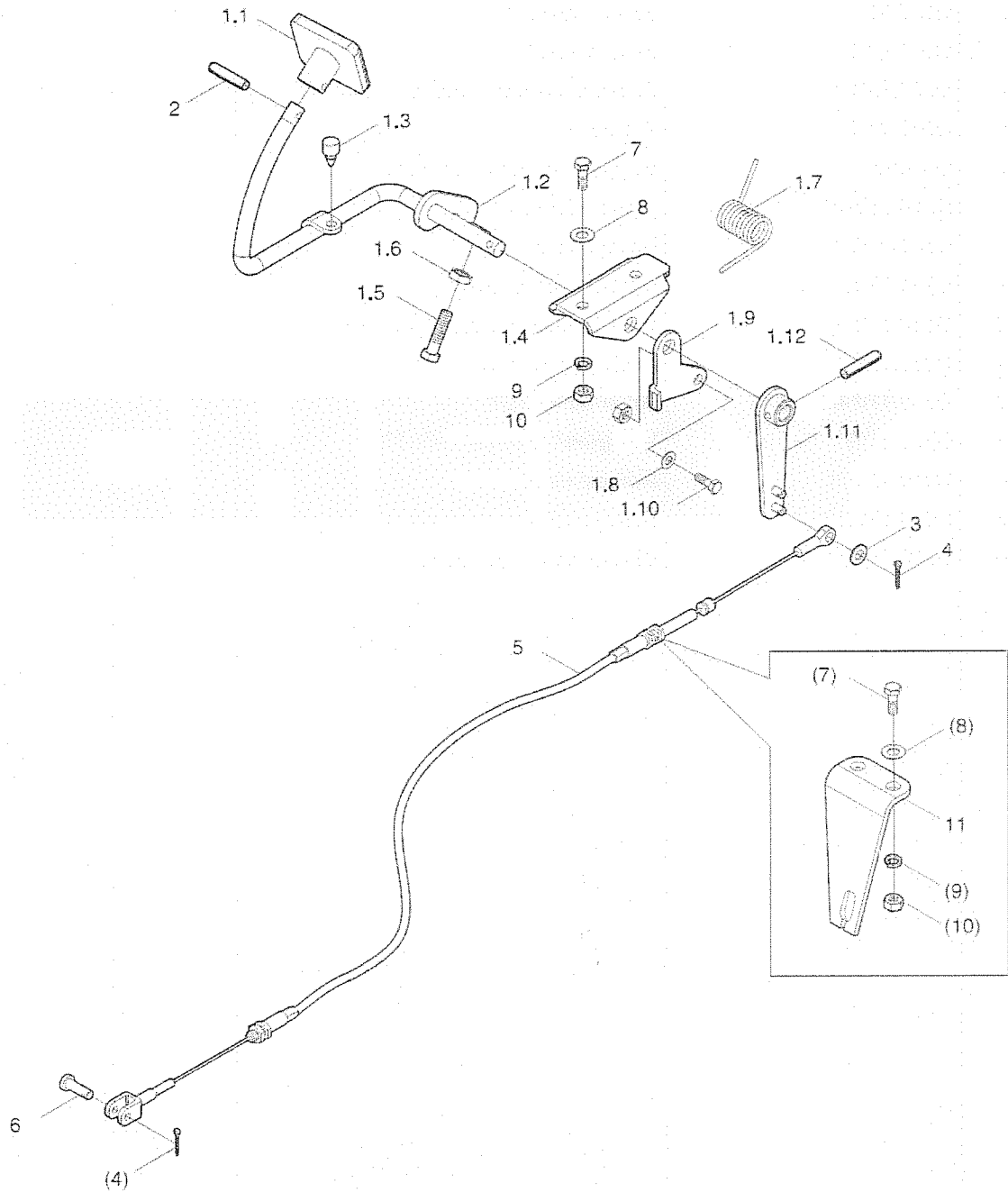
D250.13C.001 Cooling System Assembly



## D250.13C.001 Cooling System Assembly

S/N	Code and Specification of Part	Parts Name	Quantity	Remark
1	GB/T 5783	Hexagonal head bolt M8x35	4	
2	GB/T 93	Spring washer8	8	
3	GB/T 97.1	Plain washer8	9	
4	D250.13B.2	Radiator support welding-on unit	2	
5	GB/T 96.1	Washer 8	5	
6	Q67650	B-type worm drive hose clip	4	
7	D250.13B-01	Water inlet hose	1	
8	GB/T6172.1	Hexagon nut	6	
9	D254.13.135	Rubber backing block	3	
10	D250.13B.3	Radiator tie rod welding-on unit	1	
11	D250.13B.1	Radiator assembly	1	
12	D250.13B-02	Water outlet hose	1	
13	GB/T 5783	Hexagonal head bolt M8x20	4	
14	D250.13.101	Backing plate	1	
15	D250.13C.126	Heat guard	1	
16	D250.13.127	Block glue of heat guard	1	

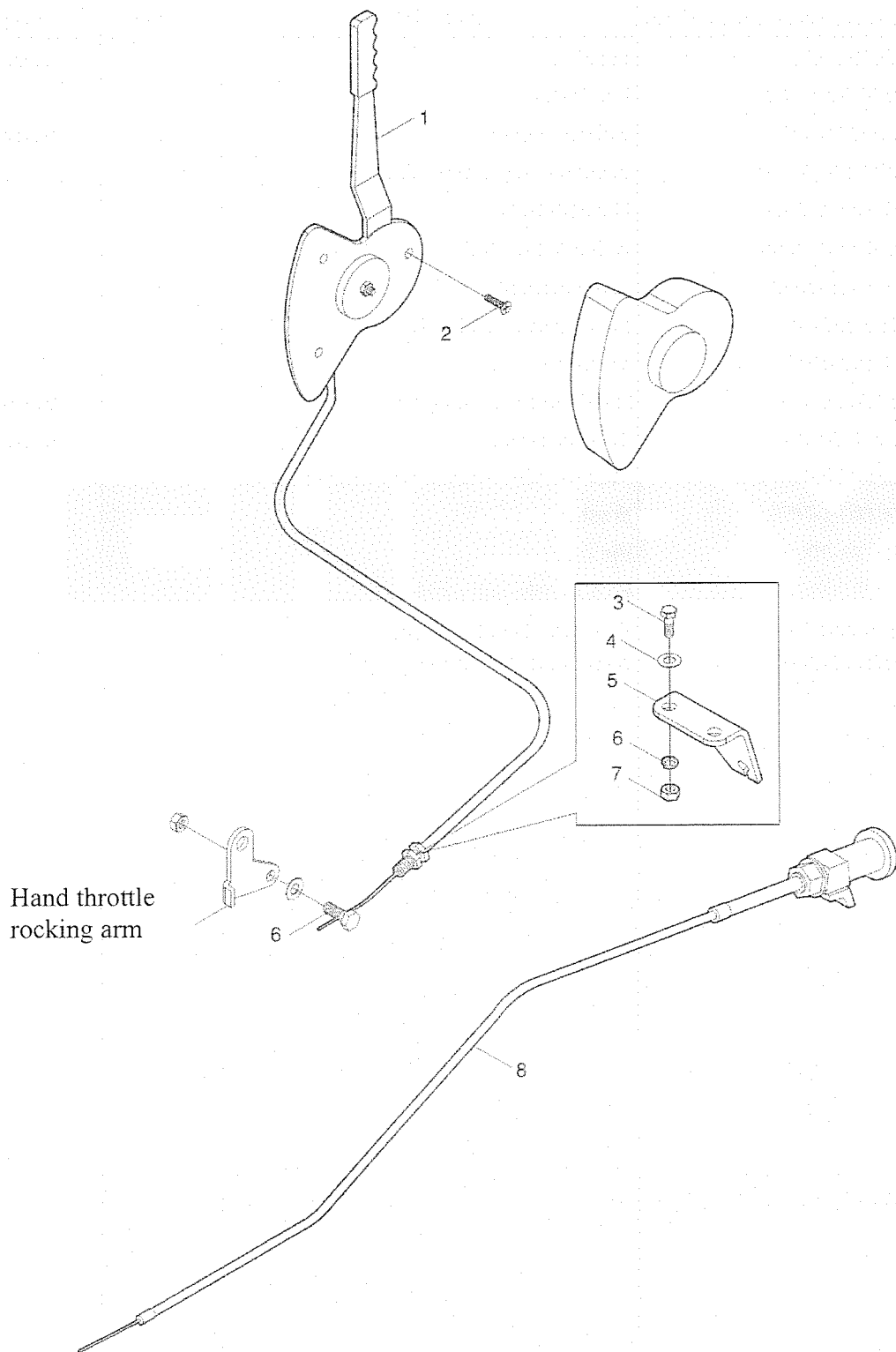
D304.20.001 Control Mechanism Assembly-1



## D304.20.001 Control Mechanism Assembly-1

S/N	Code and specification of part	Parts Name	Quantity	Remark
1	RC650.20.101	Pedal	1	Borrowed
2	GB/T879.1-2000	Pin 5X20	2	
3	RC650.20.107	Rubber stopper	1	Borrowed
4	D250.20B.3	Pedal rocking arm welding-on unit	1	
5	GB/T6170-2000	Nut M8-Zn.D	8	
6	GB/T5781-2000	Bolt M8X45-Zn.D	1	
7	GB/T818-2000	Screw M8X20	6	
8	D250.20B-01	Foot throttle pull bracket	1	
9	GB/T93-1987	Washer 8		
10	RC650.20.114	Hand throttle rocking arm	1	Borrowed
11	RC650.20.104	Torsion spring	1	Borrowed
12	FD300.20.011	Foot throttle rocking arm Welding-on unit	1	
13	GB/T97.1-2002	Washer 6-200HV	1	
14	GB/T91-2000	Pin 2X12	2	
15	FD700.20S.014	Foot throttle pull assembly	1	
16	D250.20B-01	Foot throttle pull bracket	1	
17	GB/T882-2000	Axis pin B5X20-Zn.D	1	

D304.20.001 Control Mechanism Assembly-2

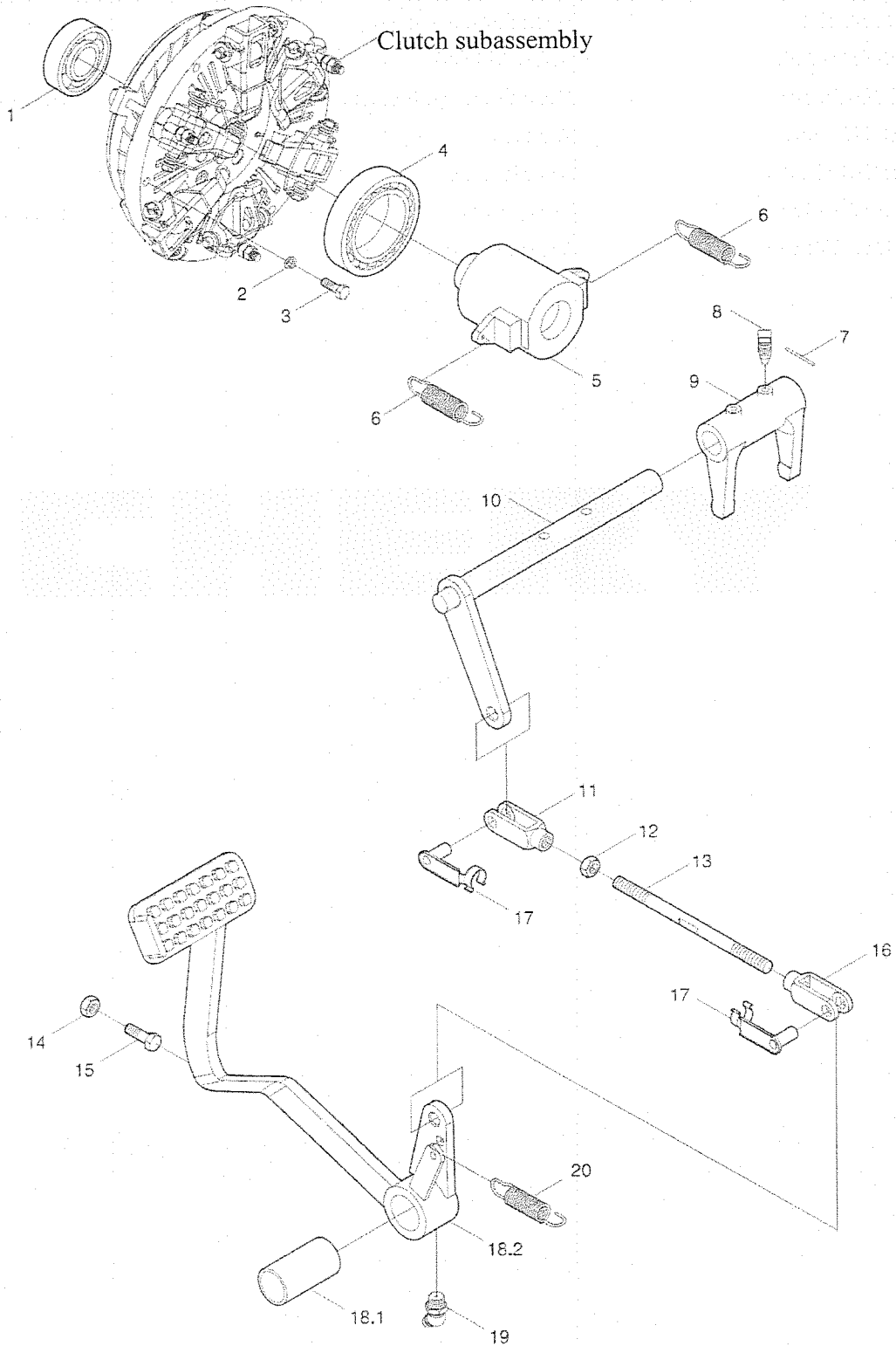


## D304.20.001 Control Mechanism Assembly-2

S/N	Code and Specification of Part	Parts Name	Quantity	Remark
1	D300A.20.1	Hand throttle assembly	1	
2	GB/T818-2000	Screw M8X20	6	
3	RC300.20.105	Hand throttle pull bracket	1	Borrowed
4	GB/T93-1987	Washer 8	6	
5	GB/T6170-2000	Nut M8-Zn.D	8	
6	RC650.20.133	Fixing screw	1	Borrowed
7	FD250.20B.017	Engine stop pull assembly	1	



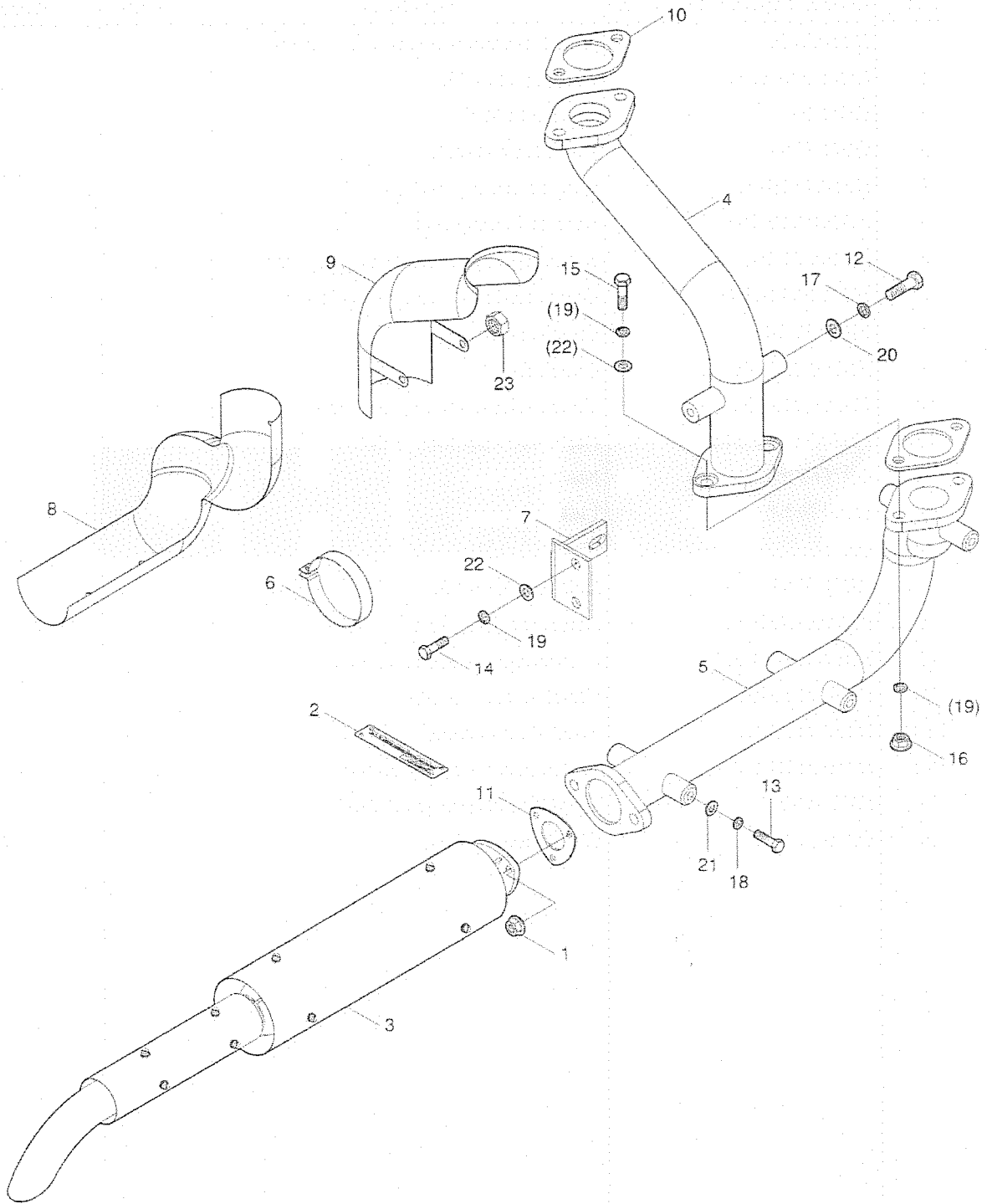
D250.212B Clutch Control Assembly



## D250.212B Clutch Control Assembly

S/N	Code and Specification of part	Parts Name	Quantity	Remark
	D250.212B	Clutch control mechanism assembly	1	
1	GB/T 276-1994	Bearing 6203-2Z	1	
2	GB/T 93	Washer10-A0P	6	
3	GB/T 5783	Bolt M10X40-A2L	6	
4	D250.212B-01	Release bearing 996711	1	
5	FD200.21B.103	Release bearing seat	1	
6	FD200.21.106	Return spring of release bearing seat	2	
7	YB/T 5032-1993	Galvanized steel wireZd1.4x250	2	
8	FD65.37.109	Check screw	2	
9	FD200.21.105a	Clutch fork	1	
10	FD200.21.013a	Clutch release rocking arm unit	1	
11	FD800A.43B.116	Right screwing fork of link	1	
12	GB/T6170	Nut M10-A3L	1	
13	D250.212-01	Link	1	
14	GB/T6172.1	Nut M12-A3L	1	
15	GB/T 5783	Bolt M12X35-A3L	1	
16	FD800A.43B.119	Left screw link/ fork	1	
17	FD800A.43B.011	Positioning pin and rivet unit	2	
18	D280.212.2-01	Clutch pedal assembly	1	
18.1	D250.212B.1.1	Pedal shaft bushing	1	
18.2	D250.212B.1.1	Clutch pedal welding-on unit	1	
19	JB/T 7940.2	45°M10x1 Pressured oil cup	1	
20	D250.212-03	Clutch pedal spring	1	

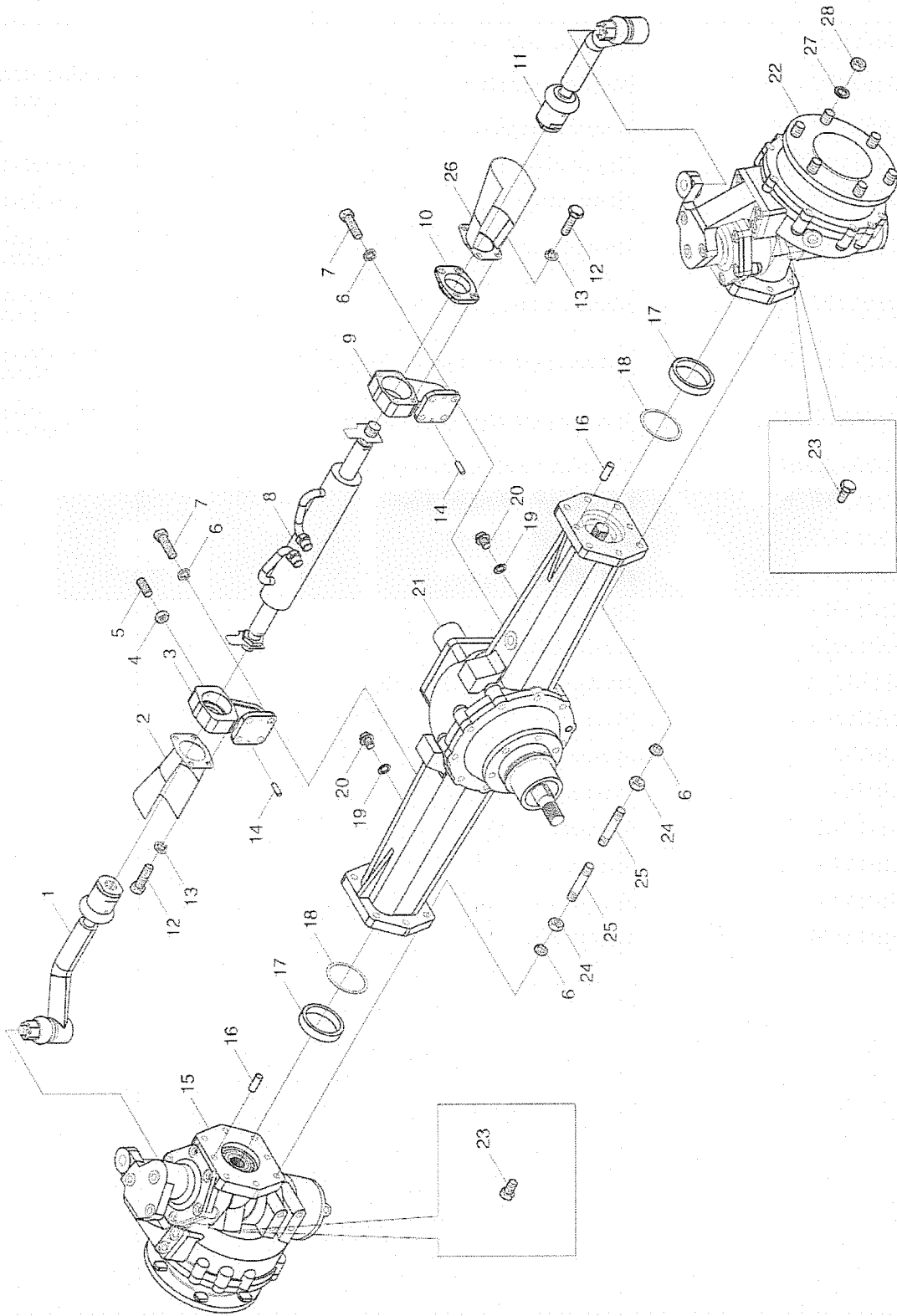
D250.22C Exhaust System Assembly



## D250.22C Exhaust System Assembly

S/N	Code and Specification of Part	Parts Name	Quantity	Remark
1	GB/T13681	Hexagon weld nut 6	2	
2	D250.22C.1	Muffler nameplate	1	Stainless steel plate t=0.8
3	D250.22C.010	Muffler assembly	1	
4	D250.22C.031	Upper elbow	1	QT450-10
5	D250.22C.032	Lower elbow	1	QT450-10
6	D250.22C.301	Muffler junk ring	1	Steel plate 1.5/Q235A
7	D250.22C.302	Muffler fixing plate	1	Steel plate 5/Q235A
8	D250.22C.307	Exhaust pipe lower protection net	1	Sieve mesh plate 1/Q235A
9	D250.22C.306	Exhaust pipe upper protection net	1	Sieve mesh plate 1/Q235A
10	FD250.22.030	Combined sealing packing	2	
11	FD250.22C.030	Combined sealing packing	1	
12	GB/T5783	BoltM6x12	4	
13	GB/T5783	BoltM8x16	6	
14	GB/T5783	BoltM10x30	2	
15	GB/T5783	BoltM10x40	6	
16	SPL6177.1	Hexagon nut with flange 10	6	
17	GB/T93	Washer 6	4	
18	GB/T93	Washer 8	6	
19	GB/T93	Washer 10	8	
20	GB/T97.1	Washer 6	41	
21	GB/T97.1	Washer 8	6	
22	GB/T97.1	Washer 10	2	
23	GB/T6170	NutM8-A3L	2	

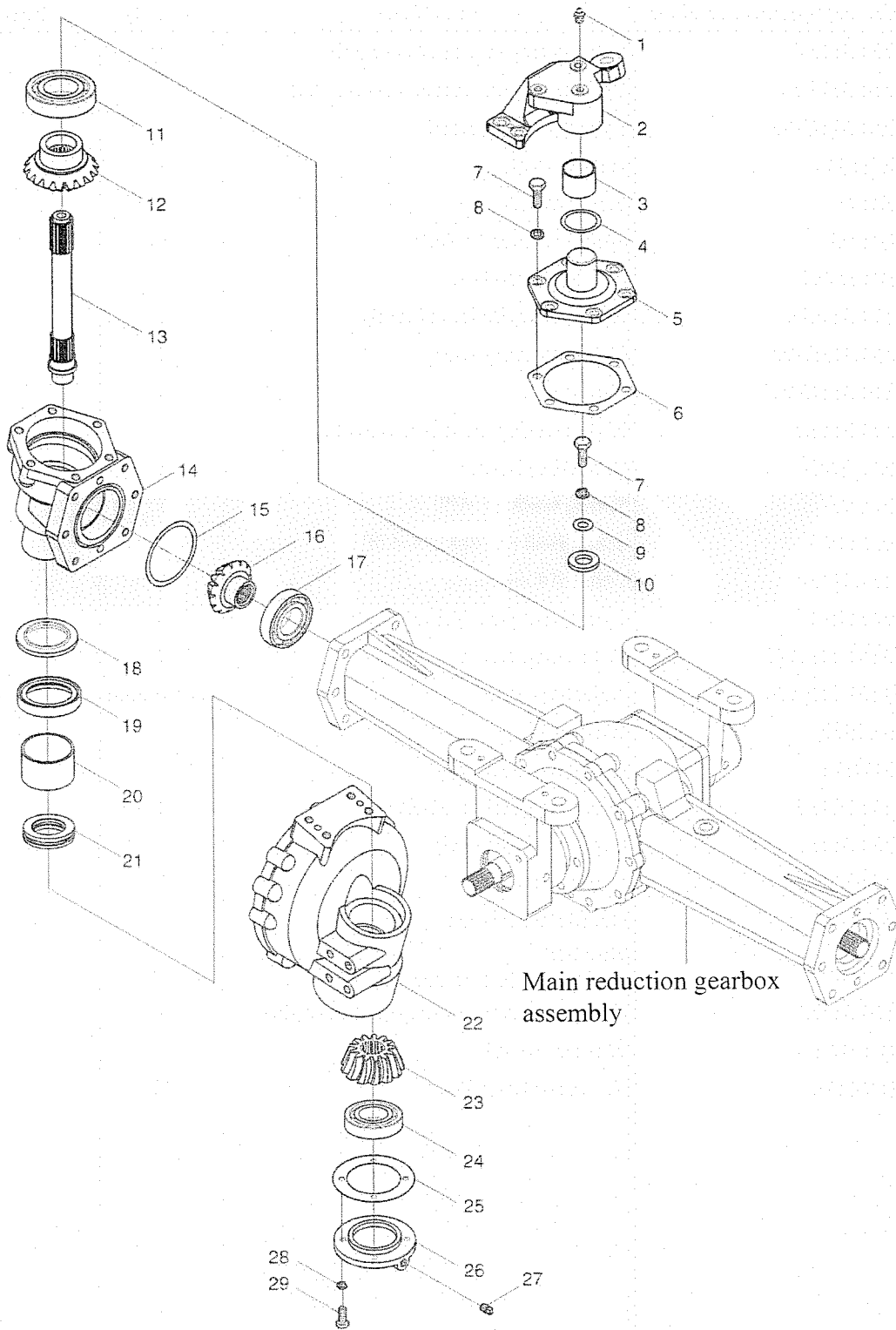
D254.311G Front Driving Axle Sub-assembly-1



## D254.311G Front Driving Axle Sub-assembly-1

S/N	Code and Specification of Part	Parts Name	Quantity	Remark
1	D254.311J.4	Left steering cross rod assembly	1	
2	D254.311J.6	Cylinder shield welding-on unit(left)	1	
3	D254.311G-03	Cylinder fixing seatII	1	
4	GB/T6174	Nut M6-A2L	1	
5	GB/T71	Screw M6x20	1	
6	GB/T 93	Spring washer 10-A0P	20	
7	GB/T35783	Bolt M10x25-A3L	8	
8	D254.311G.4	Hydraulic cylinder assembly	1	
9	D254.311G-02	Cylinder fixing seat	1	
10	D254.311G-01	Cap of seat	1	
11	D254.311J.5	Right steering cross rod assembly	1	
12	GB/T 5783	Bolt M8x20-A2L	8	
13	GB/T 93	Spring washer8-A0P	8	
14	GB/T119.1	Cylindrical pin 6h8x14-A0P	4	
15	D254.311J.1	Left drive assembly	1	
16	GB/T119.1	Cylindrical pin 10h8x20-A0P	4	
17	FD254.31F.123	Positioning sleeve	2	
18	FD254.31F.124	Adjusting shim	As required	
19	JB/T3982	Washer 14	2	
20	Q617B14	Hexagon screw plug	2	
21	D254.311J.3	Reducing gearbox assembly	1	
22	D254.311J.2	Right drive assembly	1	
23	D254.311J-01	Limiting bolt	2	
24	GB/T6171	Nut M10x1.25-A2L	12	
25	GB/T 899	Stud bolt AM10-M10x 1.25 x35-8.8-A2L	12	
26	D254.311J.7	Cylinder shield welding-on unit (right)	1	
27	GB/T 97.1	Washer 14-A0P	12	
28	GB/T6176	Nut M14x1.5-A3L	12	

D254.311G Front Driving Axle Sub-assembly-2.1



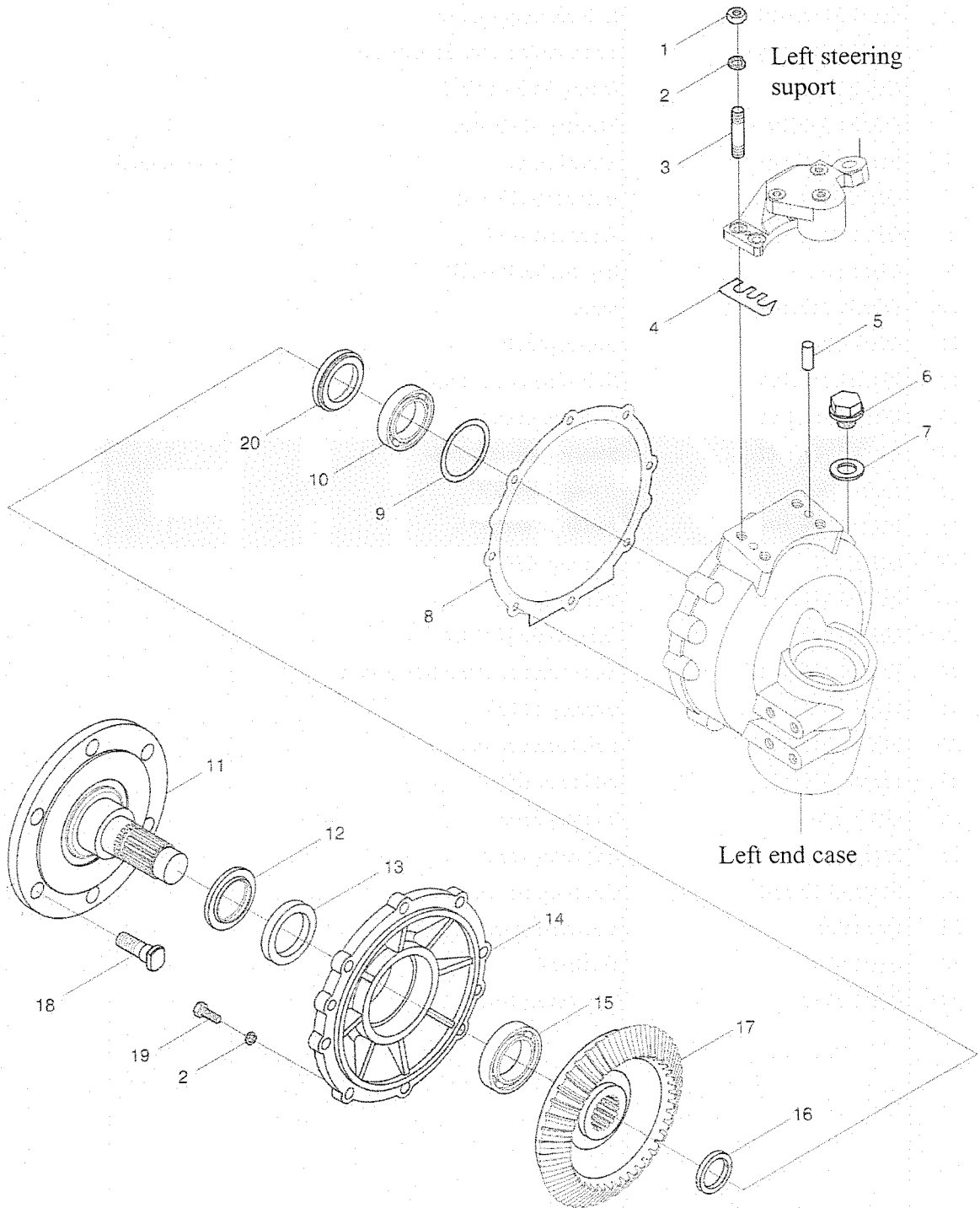
Main reduction gearbox assembly

## D254.311G Front Driving Axle Sub-assembly-2.1

S/N	Code and Specification of Part	Parts Name	Quantity	Remark
1	JB/T 7940.1	Oil cup M10x1	1	
2	D254.311J.1-01	Left steering suport	1	
3	FD254.31F.104	Slide shaft sleeve 35 x39x30	1	
4	GB/T 3452.1	O ring 34.5 x3.55G	1	
5	FD254.31F.105	Steering shaft seat	1	
6	FD254.31F.102	Sealed shim	As required	
7	GB/T 5783	Bolt M10x25-A3L	7	
8	GB/T 93	Washer10-A0P	7	
9	GB/T 96.1	Big washer10-A0P	1	
10	FD254.31F.106	Shim	1	
11	GB/T 276	Bearing6210	1	
12	FD254.31F.108	Bull wheel of semi axle	1	
13	D254.311J.1-03	Axis pin in end	1	
14	D254.311J.1-02	Steering knuckle case	1	
15	JB/T 3452.1	O ring 80x2.65G	1	
16	FD254.31F.101	Pinion of semi axle	1	
17	GB/T 276	Bearing 6207	1	
18	FD254.31F.113	Dust ring	1	
19	GB/T 9877.1	Oil seal B507210D	1	
20	FD254.31F.122	Slide shaft sleeve 50x55 x35	1	
21	GB/T 301	Bearing 51106	1	
22	FD254.31F.120	Left terminal case	1	
23	FD254.31F.118	Pinion in end	1	
24	GB/T 276	Bearing 6305	1	
25	FD254.31F.117	Adjusting shim	As required	
26	FD254.31F.116	Cover on bottom	1	
27	Q614B01	Squarehead tapered plug	1	
28	GB/T 93	Washer 6	4	
29	GB/T 5783	Bolt M6x20-A2L	4	



D254.311G Front Driving Axle Sub-assembly-2.2



## D254.311G Front Driving Axle Sub-assembly-2.2

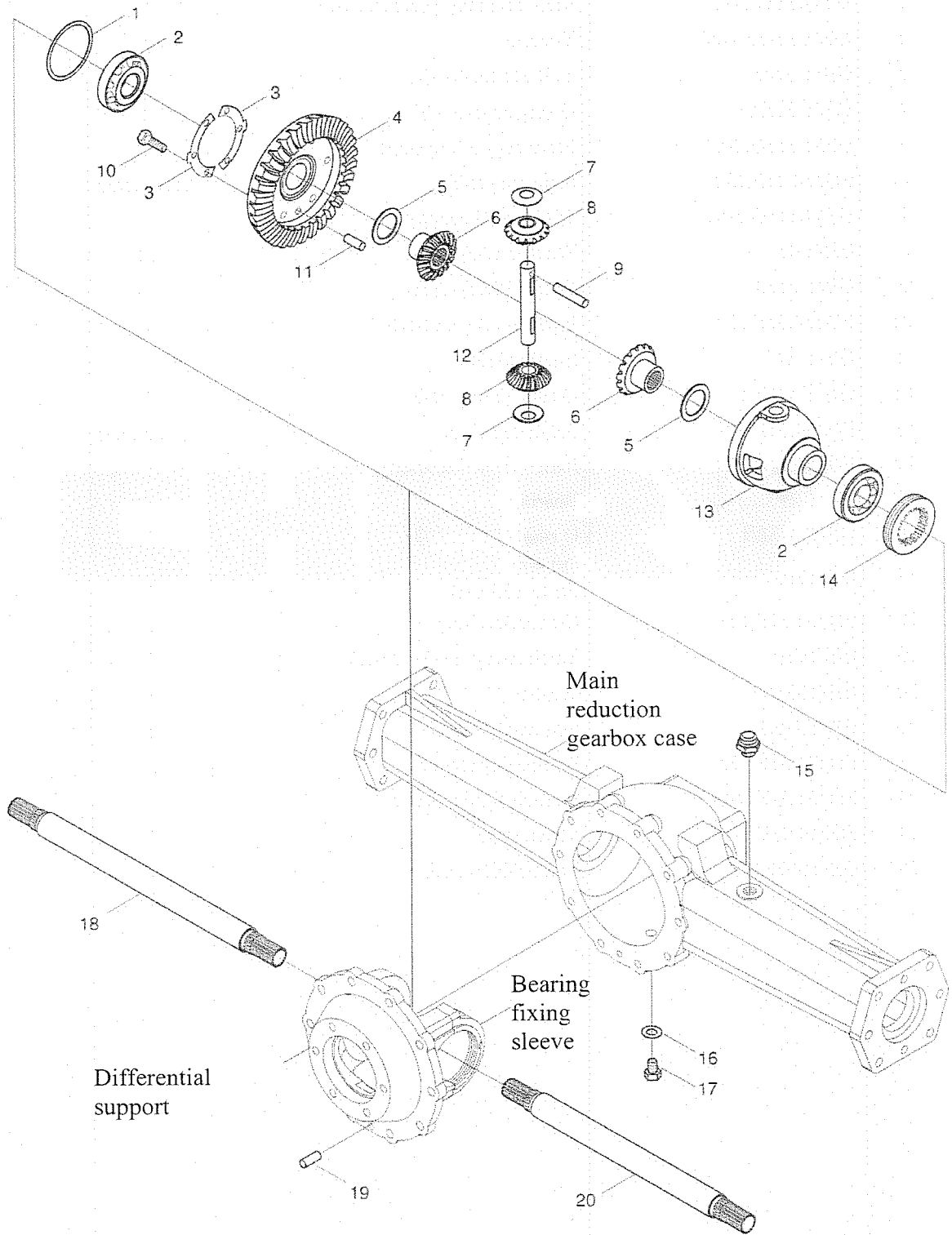
S/N	Code and Specification of Part	Parts Name	Quantity	Remark
1	GB/T6171	Nut M10X1.25-A2L	4	
2	GB/T 93	Washer10-A0P	12	
3	GB/T 899	Stud bolt AM10-M10x 1.25 x30-8.8-A2L	4	
4	FD254.31F.107	Adjusting shim	As required	
5	GB/T 119.2	Pin B8X20-A0P	2	
6	FD254.31F.175	Screw plug	1	
7	FD254.31F.176	Washer	1	
8	FD254.31F.114	Adjusting shim	As required	
9	FD254.31F.115	Adjusting shim	As required	
10	GB/T/276	Bearing 6206	1	
11	FD254.31F.111a	Front drive shaft	1	
12	FD254.31F.113	Dust ring	1	
13	GB/T 9877.1	Oil seal B507210D	1	
14	FD254.31F.109	Cover in end	1	
15	GB/T 276	Bearing 6307	1	
16	FD254.31F.112a	Steel wire circlip	2	
17	FD254.31F.110a	Bull wheel in end	1	
18	FD254.31F.177	Knurl bolt	6	
19	GB/T 5783	Bolt M10X30-A3L	8	
20	FD254.31F.178	Positioning ring	1	



## D254.311G Front Driving Axle Sub-assembly-3.1

S/N	Code and Specification of Part	Parts Name	Quantity	Remark
1	D254.311J.3-01	Main reducing gearbox case	1	
2	GB/T 93-12-A0P	Washer	4	
3	GB/T 5783	Bolt M12X30-A3L	4	
4	GB/T 3452,1	O ring 63.0x3.55G	2	
5	D254.311G.3-02	Front supporting shaft	1	
6	FD254.31F.132	Adjusting shim	As required	
7	D254.311G.3-01	Differential support	1	
8	GB/T 93	Washer 10-A0P	18	
9	GB/T 5783	Bolt M10X30-A3L	16	
10	FD254.31F.127	Input bevel gear shaft	1	
11	GB/T 297	Bearing31306	1	
12	GB/T 3452,1	O ring 73.0x3.55G	2	
13	FD254.31F.131	Adjusting shim	As required	
14	FD254.31F.130	Rear supporting shaft	1	
15	GB/T 297	Bearing 32006	1	
16	GB/T 3452,1	O ring 23.6x2.65G	1	
17	GB/T39877,1	Oil seal FB35 x55 x8B	1	
18	FD254.31F.128	Oil seal bushing	1	
19	GB/T810	Small round nut M27X1.5	2	
20	GB/T3858	Washer 27	1	
21	GB/T370,1	ScrewM10x40	2	
22	FD254.31F.152	Positioning sleeve	2	
23	FD254.31F.139	Bearing fixing sleeve	1	
24	FD254.31F.141	Check shim	1	
25	GB/T35783	Bolt M8X16-A2L	1	

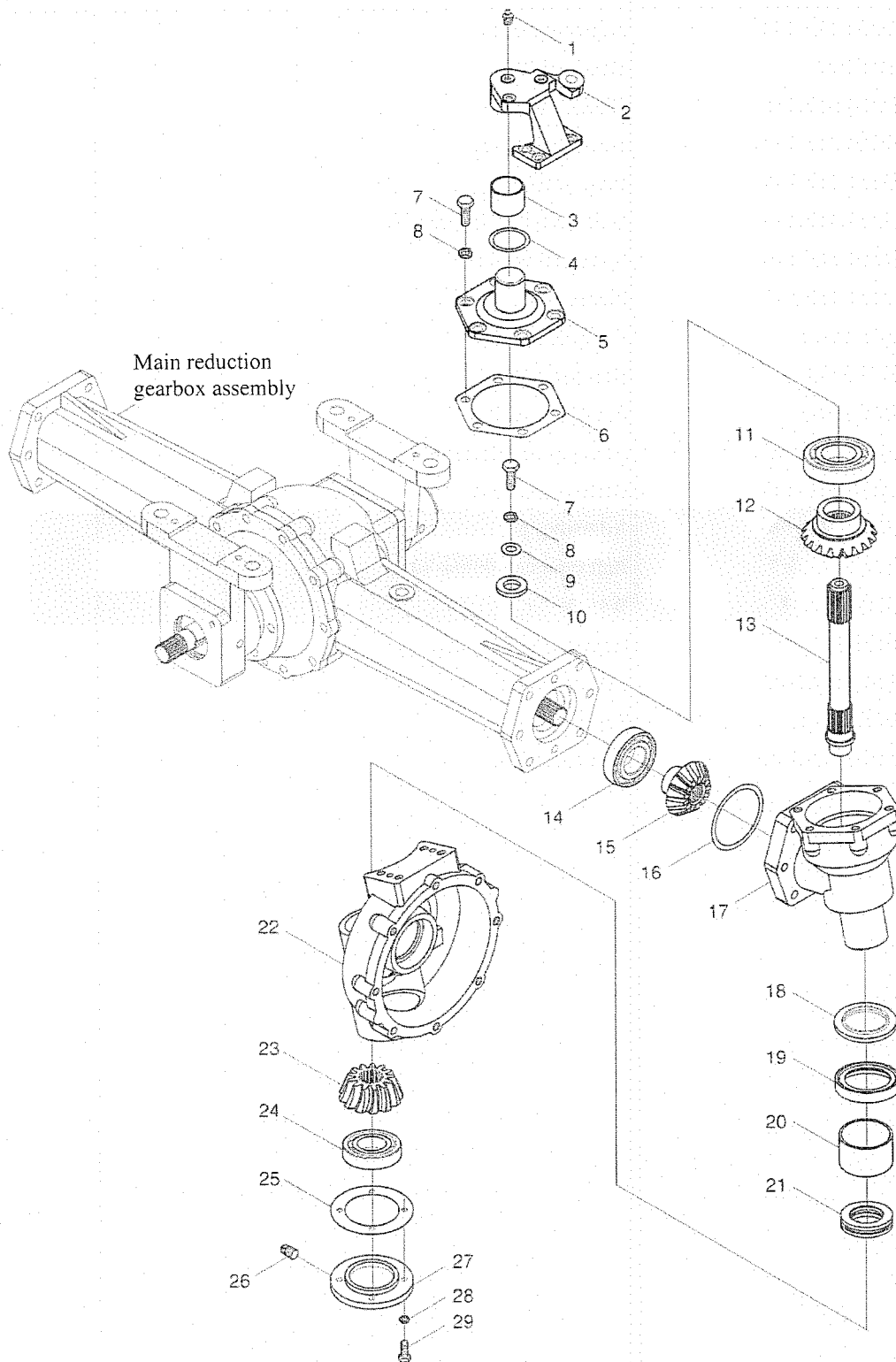
D254.311G Front Driving Axle Sub-assembly-3.2



## D254.311G Front Driving Axle Sub-assembly-3.2

S/N	Code and Specification of Part	Parts Name	Quantity	Remark
1	FD254.31F.134	Adjusting shim	1	
2	GB/T 297	Bearing32009	2	
3	FD254.31F.135	Check shim	2	
4	FD254.31F.144	Bevel bull wheel	1	
5	FD254.31F.148	Plain washer	2	
6	FD254.31F.143	Bull wheel of differential	2	
7	FD254.31F.146	Spherical washer	2	
8	FD254.31F.147	Planet gear	2	
9	GB/T 119-1	Pin 8m6x40-A0P	1	
10	GB/T 5783	Bolt M8X25-A2L	6	
11	GB/T 119-2	Pin 8X20-A0P	1	
12	FD254.31F.145	Axis pin of differential	1	
13	FD254-31F-149	Differential case	1	
14	FD254-31F-140	Adjusting nut	1	
15	D254.311A.1.1	Ball type ventilating plug	1	
16	FD304.42.118	Washer	1	
17	Q617B12	Hexagon screw plug	1	
18	D254.311J.3-02	Left semiaxle	1	
19	GB/T 119-2	Pin 8X18-A0P	1	
20	D254-311J-3-03	Right semiaxle	1	

D254.311G Front Driving Axle Sub-assembly-4.1

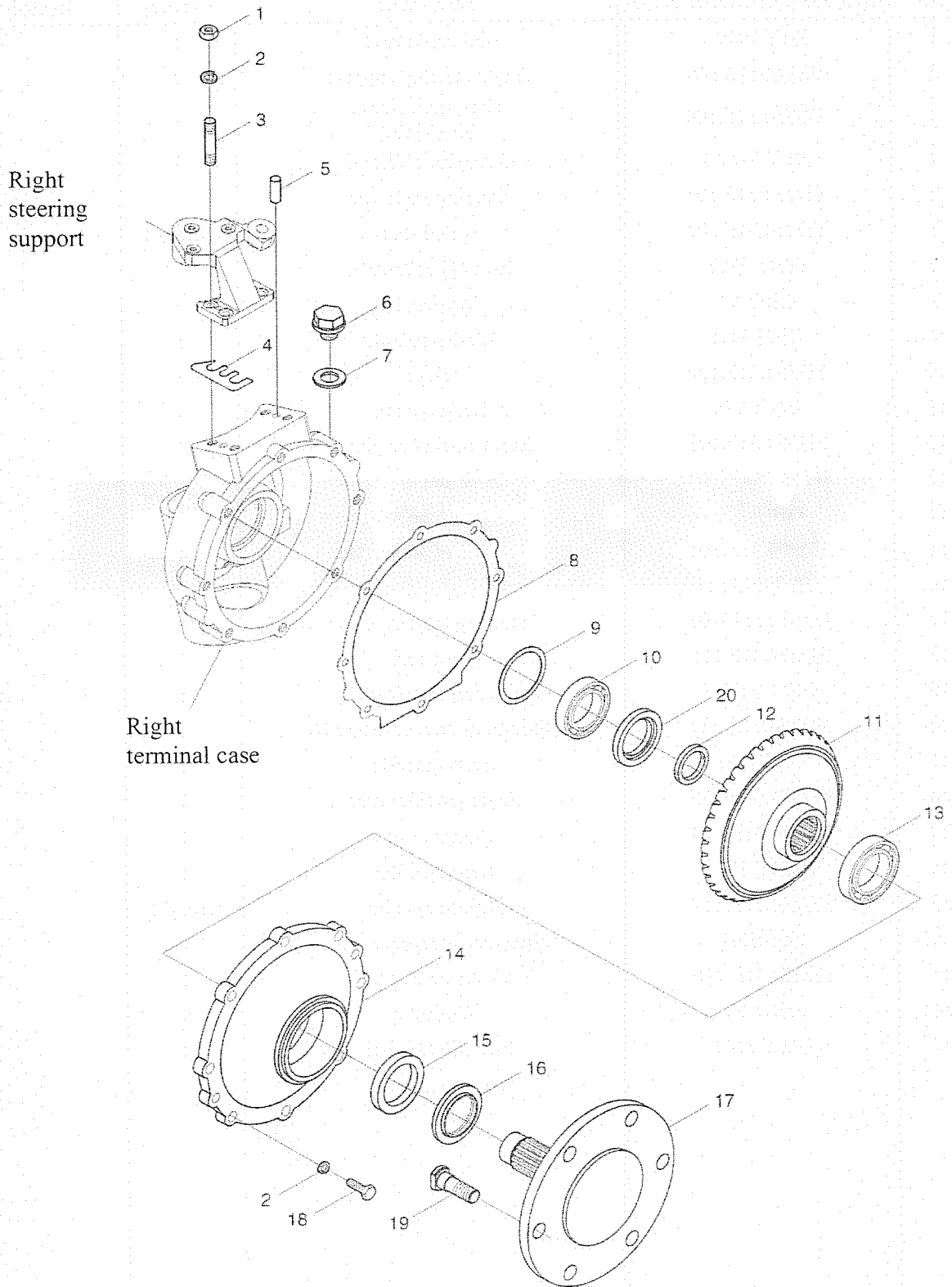


## D254.311G Front Driving Axle Sub-assembly-4.1

S/N	Code and Specification of Part	Parts Name	Quantity	Remark
1	JB/T 7940.1	Oil cupM10x1	1	
2	D254.311J.2-01	Right steering support	1	
3	FD254.31F.104	Slide shaft sleeve 35 x39x30	1	
4	JB/T 3452.1	O ring 34.5 x3.55G	1	
5	FD254.31F.105	Steering shaft seat	1	
6	FD254.31F.102	Sealed shim	Group 1	
7	GB/T 5783	Bolt M10x25-A3L	7	
8	GB/T 93	Washer 10	7	
9	GB/T 96.1	Washer10-A0P	1	
10	FD254.31F.106	Shim	1	
11	GB/T 276	Bearing6210	1	
12	FD254.31F.108	Bull wheel of semiaxle	1	
13	D254.311J.1-03	Axis pin in end	1	
14	GB/T 276	Bearing6207	1	
15	FD254.31F.101	Pinion of semiaxle	1	
16	JB/T 3452.1	O ring 80x2.65G	1	
17	D254.311J.1-02	Steering knuckle case	1	
18	FD254.31F.113	Dust ring	1	
19	GB/T 9877.1	Oil seal B507210D	1	
20	FD254.31F.122	Slide shaft sleeve50x55 x35	1	
21	GB/T 301	Bearing51106	1	
22	FD254.31F.155	Right terminal case	1	
23	FD254.31F.118	Pinion in end	1	
24	GB/T 276	Bearing 6305	1	
25	FD254.31F.117	Adjusting shim	Group 1	
26	Q614B01	Squarehead tapered plug	1	
27	FD254.31F.116	Cover on bottom	1	
28	GB/T 93	Washer 6	4	
29	GB/T 5783	Bolt M6x20-A2L	4	



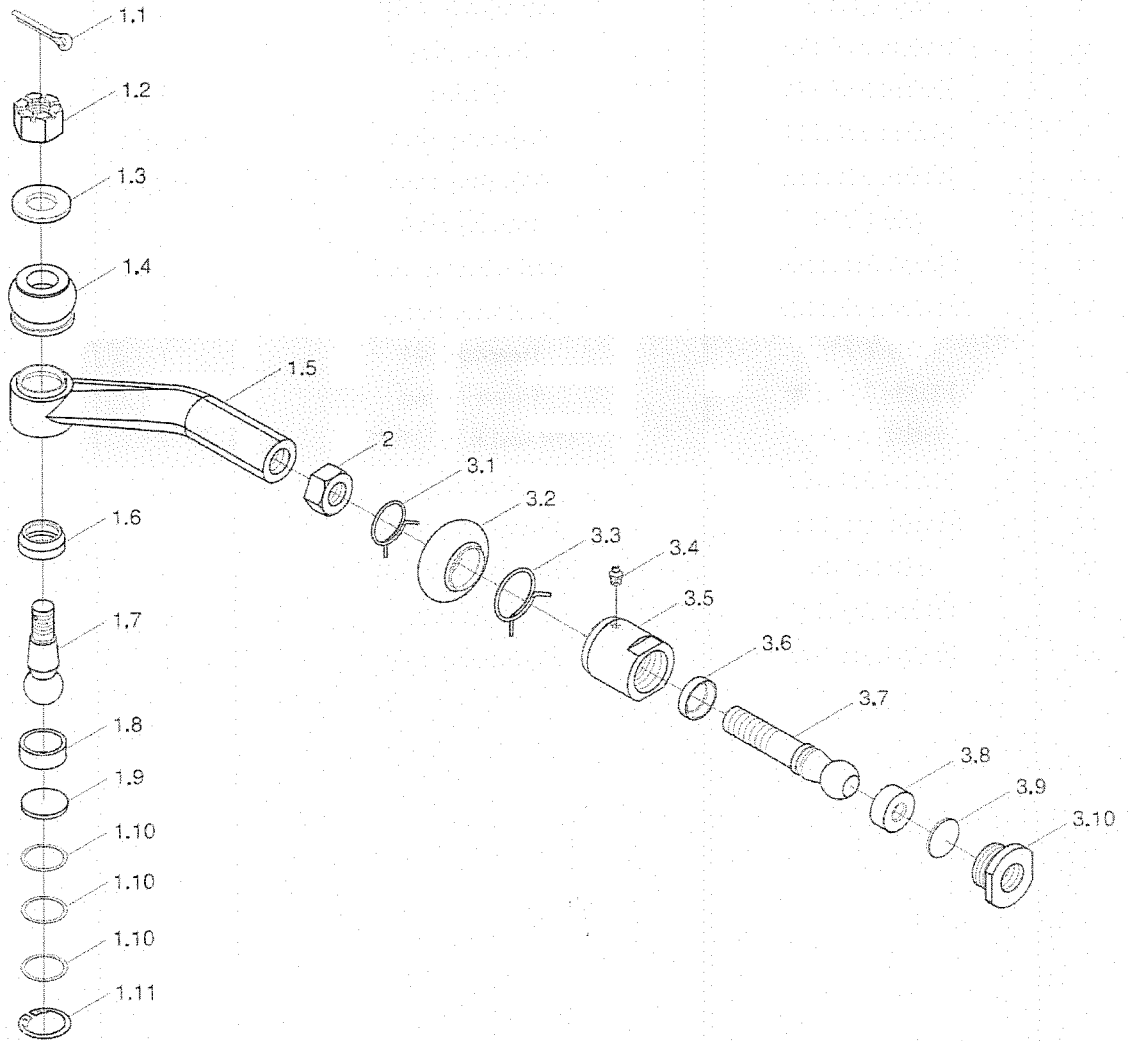
D254.311G Front Driving Axle Sub-assembly-4.2



## D254.311G Front Driving Axle Sub-assembly-4.2

S/N	Code and Specification of Part	Parts Name	Quantity	Remark
1	GB/T6171	Nut M10X1.25-A2L	4	
2	GB/T 93	Washer 10	12	
3	GB/T 899	Stud bolt AM10-M10x 1.25 x30-8.8-A2L	4	
4	FD254.31F.107	Adjusting shim	Group 2	
5	GB/T 119.2	Pin B8X20-A0P	2	
6	FD254.31F.175	Screw plug	1	
7	FD254.31F.176	Washer	1	
8	FD254.31F.114	Adjusting shim	Group 1	
9	FD254.31F.115	Adjusting shim	Group 1	
10	GB/T/276	Bearing6206	1	
11	FD254.31F.110a	Bull wheel in end	1	
12	FD254.31F.112a	Steel wire circlip	2	
13	GB/T/276	Bearing6307	1	
14	FD254.31F.109	Cover in end	1	
15	GB/T 9877.1	Oil seal B507210D	2	
16	FD254.31F.113	Dust ring	2	
17	FD254.31F.111a	Front drive shaft	1	
18	GB/T 5783	Bolt M10X30-A3L	8	
19	FD254.31F.177	Knurl bolt	6	
20	FD254.31F.178	Positioning ring	1	

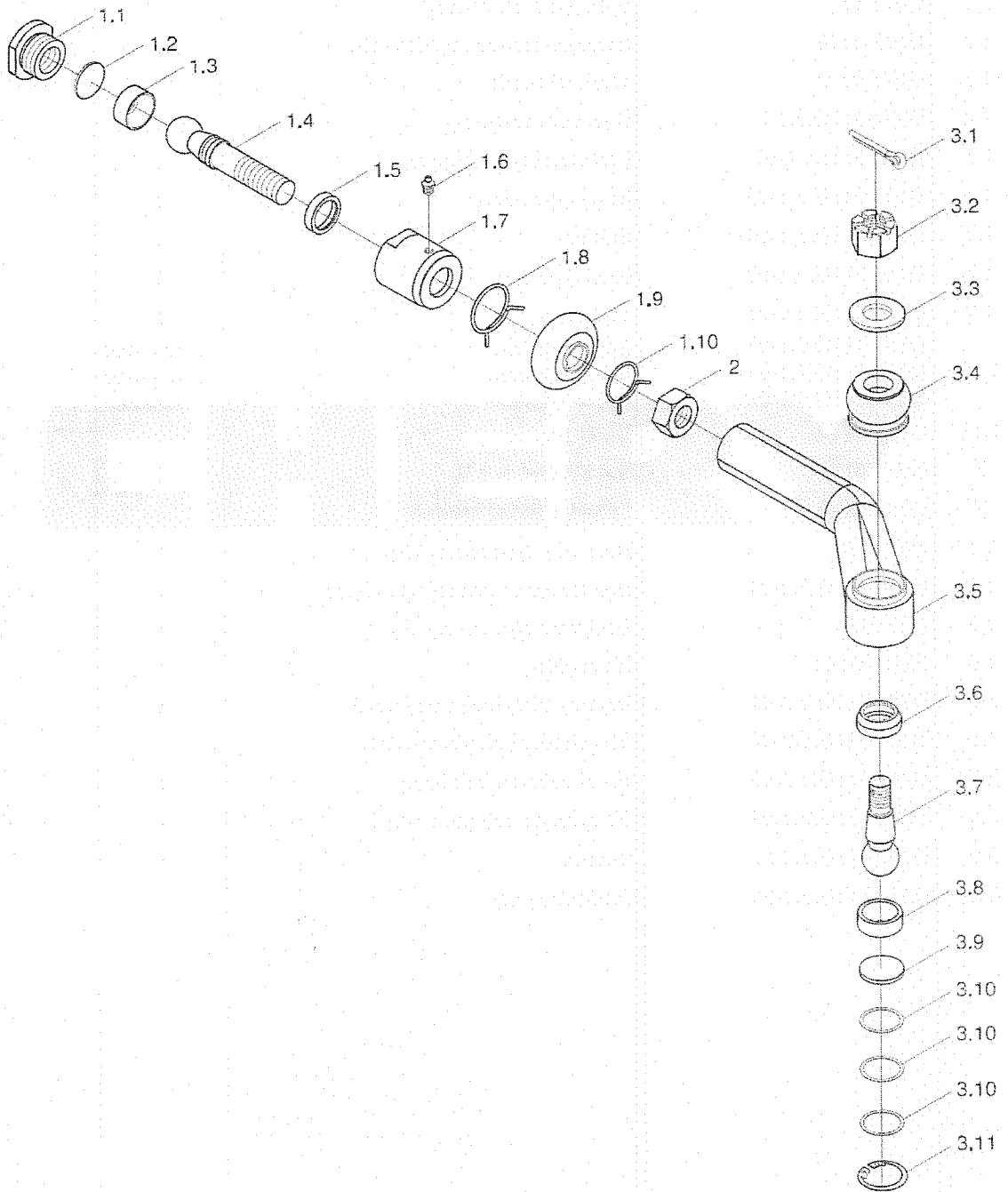
D254.311G Front Driving Axle Sub-assembly-5



## D254.311G Front Driving Axle Sub-assembly-5

S/N	Code and Specification of Part	Parts Name	Quantity	Remark
1	D254.311J.4.1	Left rocking arm fitting assembly	1	
1.1	GB/T 91	Split pin 3.2X40-A0P	1	
1.2	GB/T 6178	Hexagon slotted nutM14-A3L	1	
1.3	GB/T 97.1	Washer14-A0P	1	
1.4	D254.311G.5.1.1	Dust boot assembly	1	
1.5	D254.311J.4.1-01	Left steering rocking arm	1	
1.6	D254.311G.5.1-03	Bowl type cover	1	
1.7	D254.311G.5.1-04	Ball pin	1	
1.8	D254.311G.5.1-02	bowl type seat	1	
1.9	D254.311G.5.1-01	Top cover	1	
	D254.311G.5.1-05	Adjusting shim	As required	
1.10	D254.311G.5.1-07	Adjusting shim	As required	
	D254.311G.5.1-08	Adjusting shim	As required	
1.11	GB/T 893.1	Check ring 30	1	
2	GB/T 6173	Nut M18X1.5-A3L	1	
3	D254.311G.5.2	Cylinder fitting assembly	1	
3.1	Q671B20	Steel wire type spring clip	1	
3.2	D254.311G.5.2-04	Seal sleeve of cylinder ball head	1	
3.3	Q671B36	Steel wire type spring clip	1	
3.4	JB/T 7940.1	Oil cupM6	1	
3.5	D254.311G.5.2-01	Keyway of cylinder ball head	1	
3.6	D254.311G.5.2-08	Oil cylinder ball pin cover II	1	
3.7	D254.311G.5.2-03	Pin of cylinder ball head	1	
3.8	D254.311G.5.2-07	Oil cylinder ball pin cover I	1	
3.9	D254.311G.5.2-06	Washer	1	
3.10	D254.311G.5.2-05	Connecting nut	1	

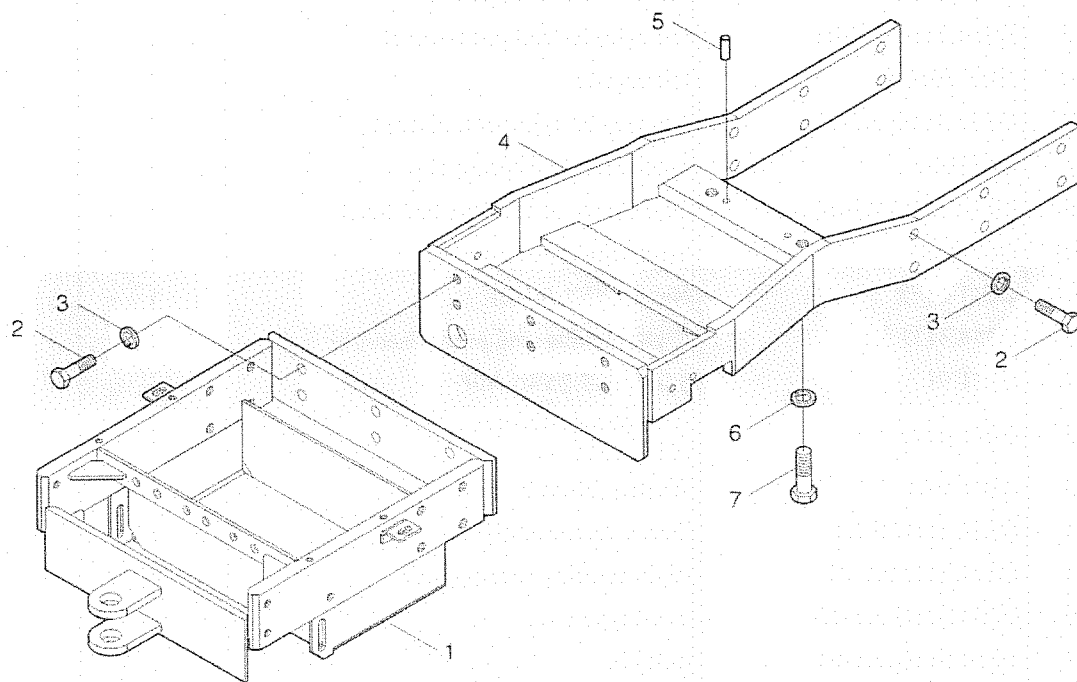
D254.311G Front Driving Axle Sub-assembly-6



## D254.311G Front Driving Axle Sub-assembly-6

S/N	Code and Specification of Part	Parts Name	Quantity	Remark
1	D254.311G.5.2	Cylinder fitting assembly	1	
1.1	D254.311G.5.2-05	Connecting nut	1	
1.2	D254.311G.5.2-06	Washer	1	
1.3	D254.311G.5.2-07	Oil cylinder ball pin cover I	1	
1.4	D254.311G.5.2-03	Pin of cylinder ball head	1	
1.5	D254.311G.5.2-08	Oil cylinder ball pin cover II	1	
1.6	JB/T 7940.1	Oil cupM6	1	
1.7	D254.311G.5.2-01	Keyway of cylinder ball head	1	
1.8	Q671B36	Steel wire type spring clip	1	
1.9	D254.311G.5.2-04	Seal sleeve of cylinder ball head	1	
1.10	Q671B20	Steel wire type spring clip	1	
2	GB/T 6173	Nut M18X1.5-A3L	1	
3,	D254.311J.5.1	Right rocking arm joint assembly	1	
3.1	GB/T 91	Split pin 3.2X40-A0P	1	
3.2	GB/T 6178	Hexagon slotted nut M14-A3L	1	
3.3	GB/T 97.1	Washer 14-A0P	1	
3.4	D254.311G.5.1.1	Dust boot assembly	1	
3.5	D254.311J.5.1-01	Right steering rocking arm	1	
3.6	D254.311G.5.1-03	Bowl type cover	1	
3.7	D254.311G.5.1-04	Ball pin	1	
3.8	D254.311G.5.1-02	Bowl type seat	1	
3.9	D254.311G.5.1-01	Top cover	1	
	D254.311G.5.1-05	Adjusting shim	As required	
3.10	D254.311G.5.1-07	Adjusting shim	As required	
	D254.311G.5.1-08	Adjusting shim	As required	
3.11	GB/T 893.1	Snap ring 30	1	

D254.312C Bracket Assembly

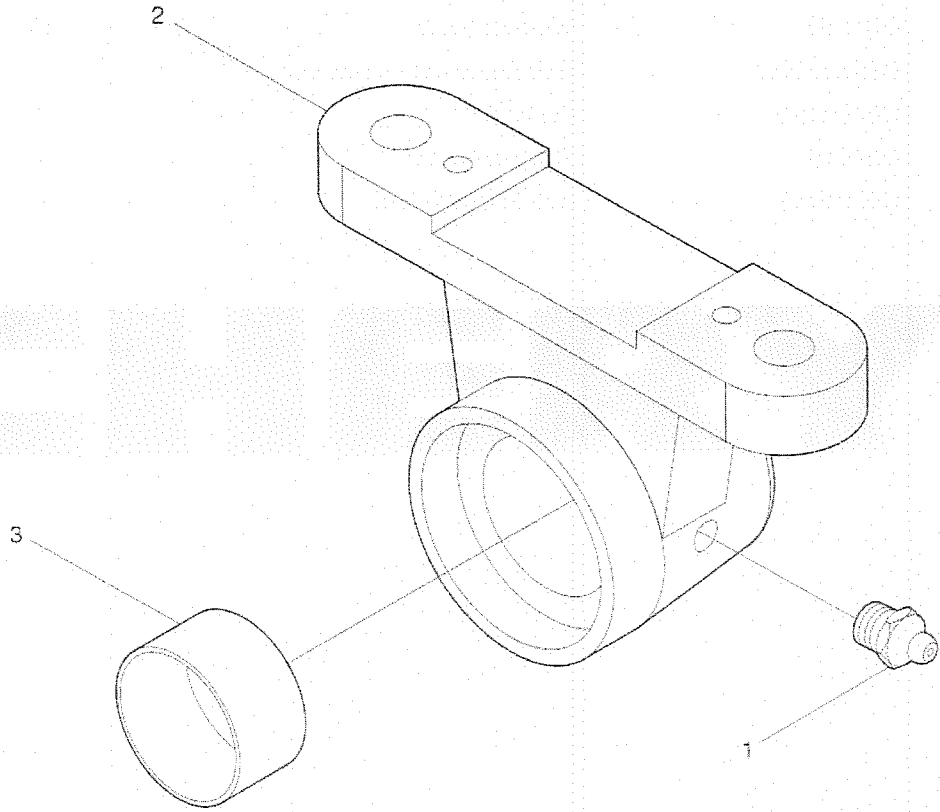


## D254.312C Bracket Assembly

S/N	Code and Specification of Part	Parts Name	Quantity	Remark
1	D254.312C.2	Battery installing bracket welding-on unit	1	
2	GB/T 5783	Bolt M12X35-A3L	18	
3	GB/T 93	Washer12-A0P	18	
4	D254.312G.1	Half frame welding-on unit	1	
5	GB/T 119.2	Pin 0x27	4	
6	GB/T 93	Washer16-A0P	4	
7	GB/T 5783	Bolt M16x45-A3L	4	



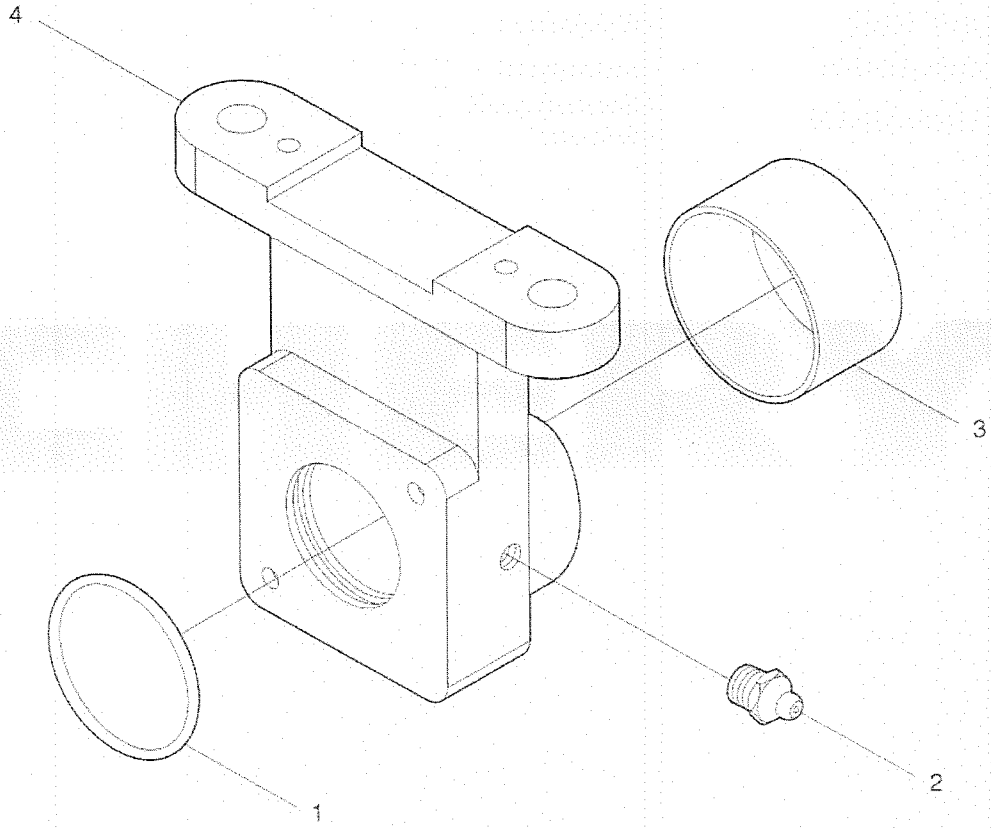
D254.313G Front Support Assembly



## D254.313G Front Support Assembly

S/N	Code and Specification of Part	Parts Name	Quantity	Remark
	D254.313G	Front support assembly	1	
1	JB/T 7940.1	Oil cupM10x1	1	
2	D254.313G-01	Front support	1	
3	FD254.31F.136	Slide shaft sleeve 45x50x45	1	

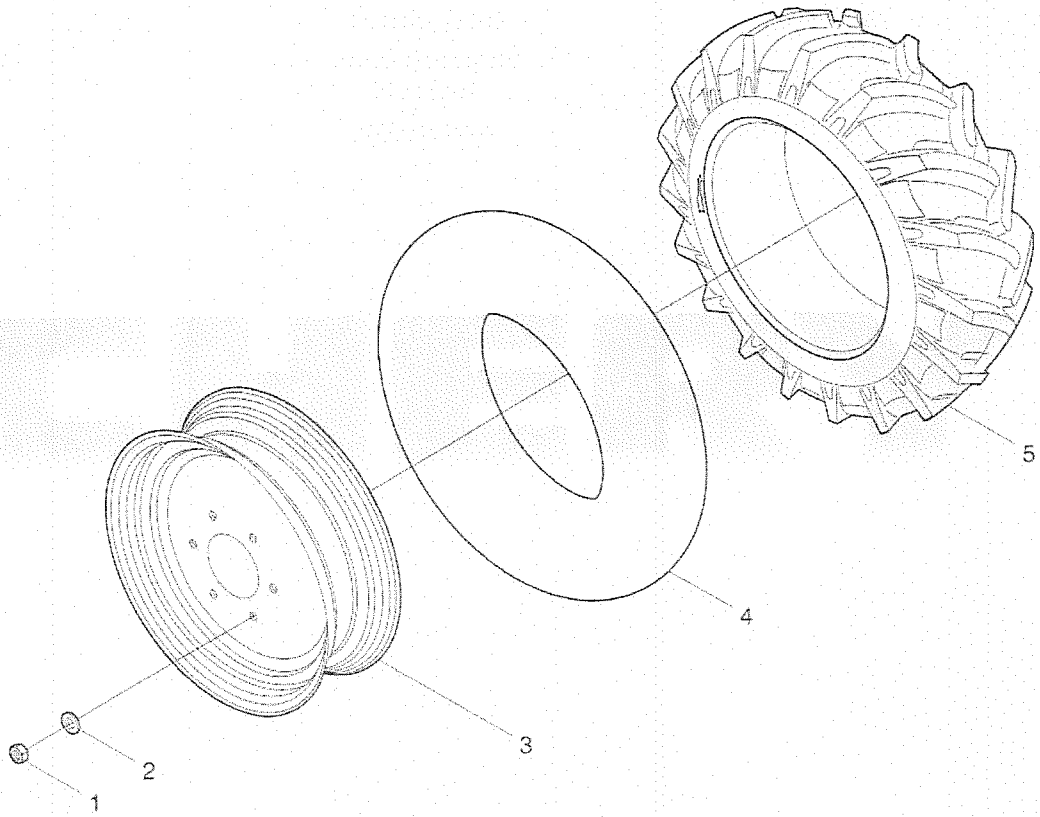
D254.314GRear Support Assembly



## D254.314GRear Support Assembly

S/N	Code and Specification of Part	Parts Name	Quantity	Remark
	D254.314G	Rear support assembly	1	
1	GB/T 3452.1	O ring 54.5 x3.55G	1	
2	JB/T 7940.1	Oil cupM10x1	1	
3	FD254.31F.129	Slide shaft sleeve 70x75x40	1	
4	D254.311B.1-01	Rear support	1	

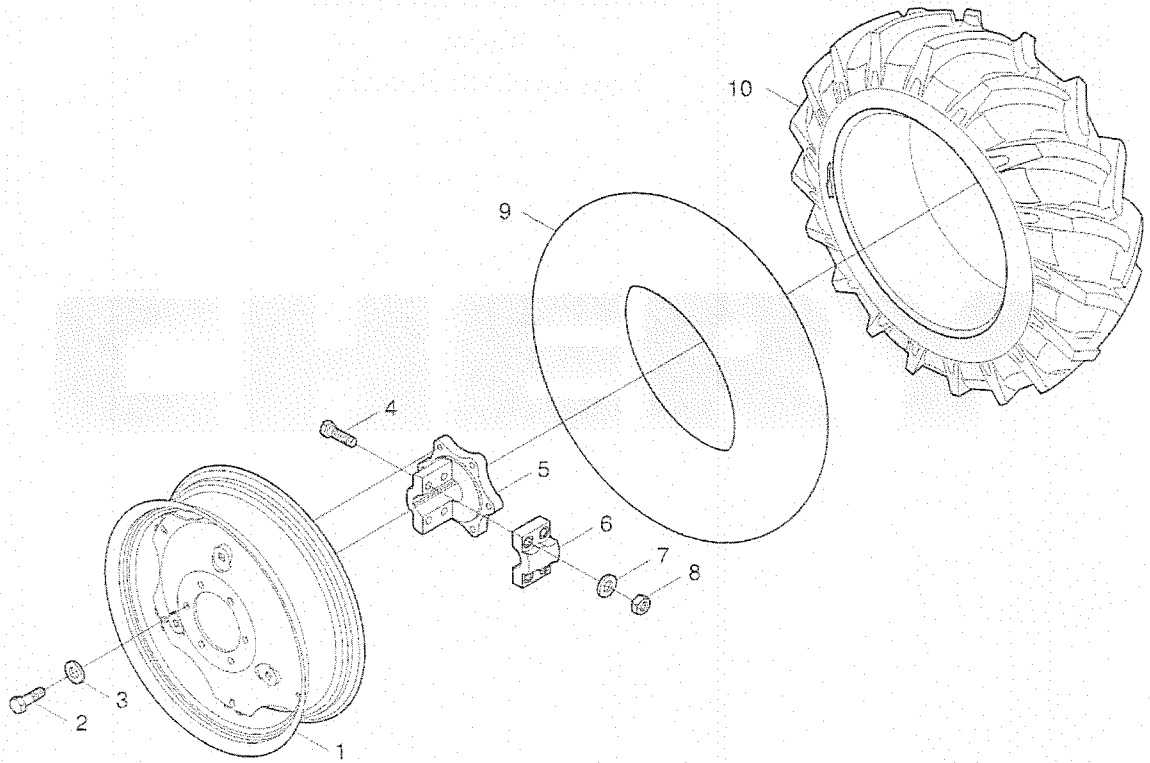
D254.32.001 Front Wheel Assembly



## D254.32.001 Front Wheel Assembly

S/N	Code and Specification of Part	Parts Name	Quantity	Remark
1	D254.32.1	Rim welding-on unit	1	
2	GB/T 2979	6.00-16Driving wheel tire cover	1	
3	GB/T 2979	6.00-16Inner tire of driving wheel	1	
4	FD250.31.205	Washer	6	
5	GB/T6176	2 type nut M14X1.5-10-A3L	6	

FD250.34B.001Rear Driving Wheel Assembly

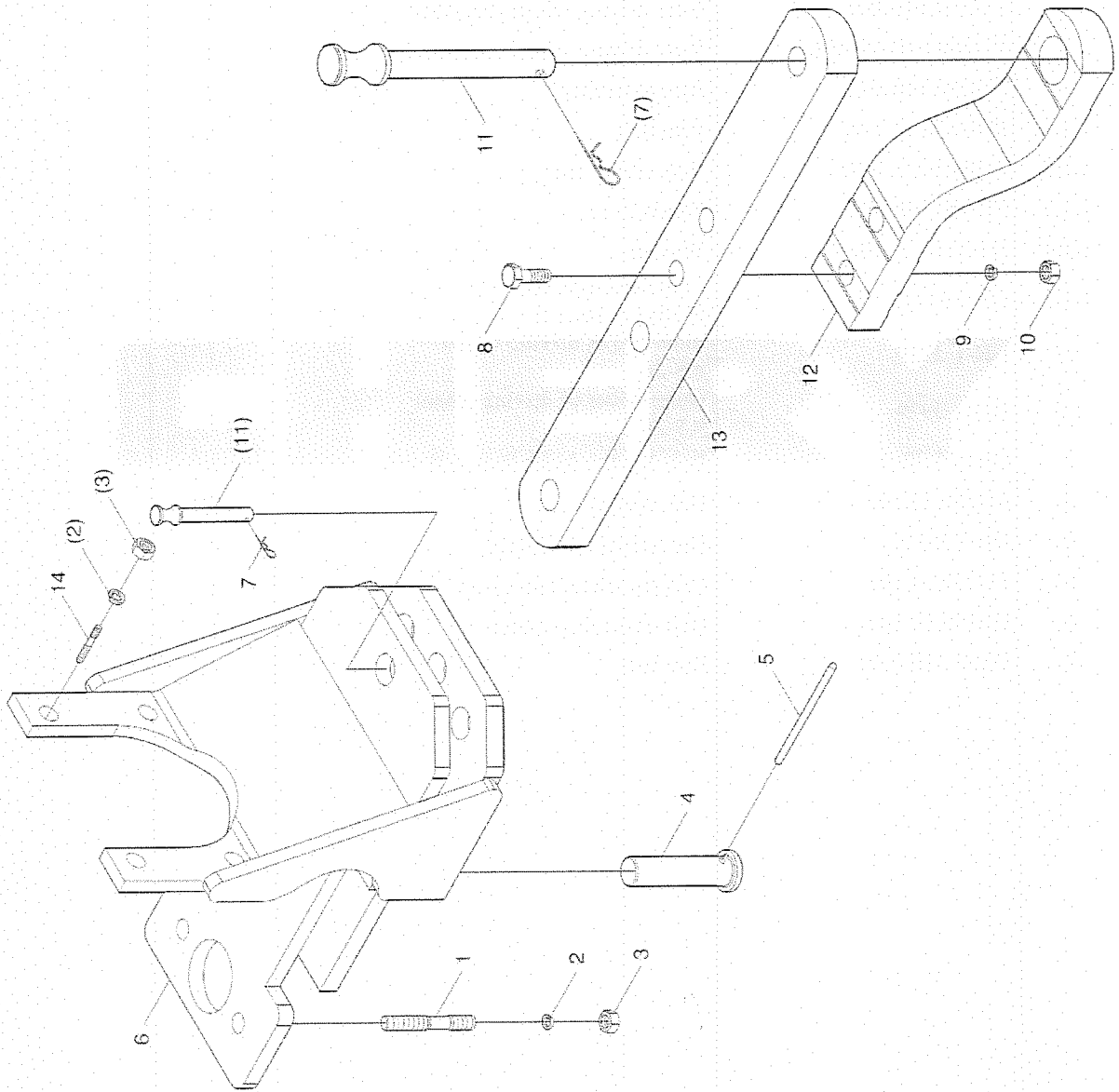


## FD250.34B.001Rear Driving Wheel Assembly

S/N	Code and Specification of Part	Parts Name	Quantity	Remark
	FD250.34B.001	Rear driving wheel assembly	1	
1	FD250.34B.010HAA	Rear driving wheel combination	1	
1.1	FD250.34B.010	Rim assembly	1	
1.1.1	D300.34 ⊥ 1-03	Rim bolt	6	
1.1.2	D300.34 ⊥ 1-05	Bolt seat of rim	1	
1.1.3	FD250.34B.012	RimW7x24	1	
1.1.4	D300.34 ⊥ 1-04	Washer	6	
1.1.5	GB/T6171	I type hexagon nut M16x1.5-10-A3L	6	
1.2	GB/T 2979	Inner tire of driving wheel 9.5-24	1	
1.3	GB/T 2979	Outer cover of driving wheel 9.5-24	1	
2	GB/T 5786	Bolt M14x1.5x35-10.9-A3L	6	
3	FD250.34.108	Hub washer	10	
4	GB/T36171	Nut M14X1.5-10-A3L	4	
5	FD250.34.103	Driving wheel hub cover	1	
6	FD250.34.102	Hub of driving wheel	1	
7	D250.34B.2-01	Rim bolt	4	



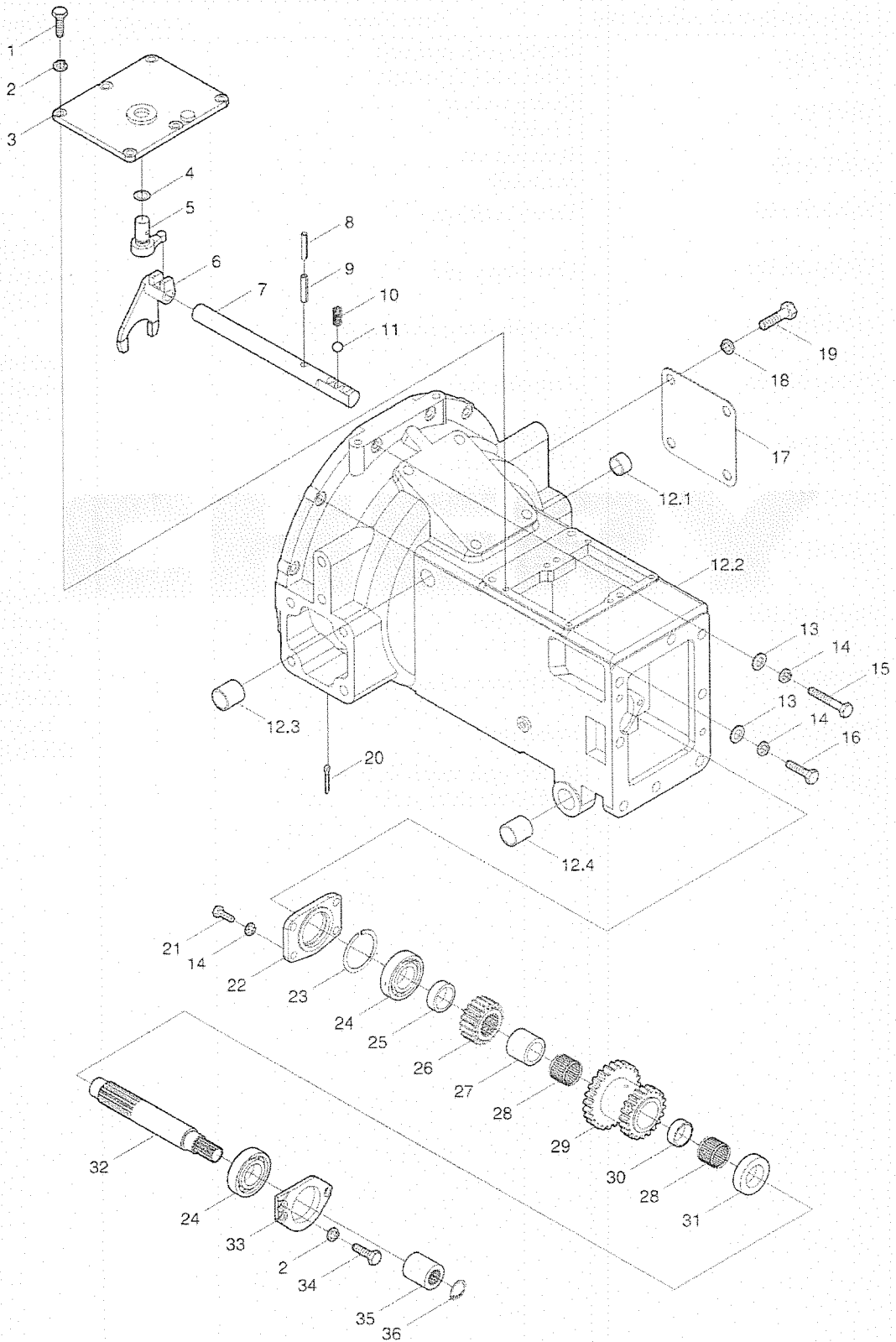
FD250.35.001 Traction Device Assembly



## FD250.35.001 Traction Device Assembly

S/N	Code and Specification of Part	Parts Name	Quantity	Remark
1	GB/T 899	Double ends stud bolt GM12-M12X35-A3L	2	
2	GB/T 93	Spring washer 12-A0P	6	
3	GB/T 6170	Hexagon nut M12-A0P	6	
4	RC65.53.103	Elastic lock pin	3	
5	FD250.35.101	Connecting pin	1	Cold-drawn round steel 11-30/45
6	FD250.35.010	Traction frame welding-on unit	1	
7	FD250.35.103	Arresting pin	1	Cold-drawn round steel 11-30/45
8	GB/T 5782	Hexagonal head bolt M16X80-A3L	2	
9	GB/T 93	Spring washer 16-A0P	2	
10	GB/T6170	Hexagon nut M16-A0P	2	
11	FD250.35.105	Balance pin	1	Cold-drawn round steel 11-42/45
12	FD250.35.104	Connection swing rod	1	Steel flat 25X60/65Mn
13	FD250.35.102	Swing rod	1	Steel flat 25X60/65 Mn
14	GB/T 899	Double ends stud bolt GM12-M12X32-A3L	4	

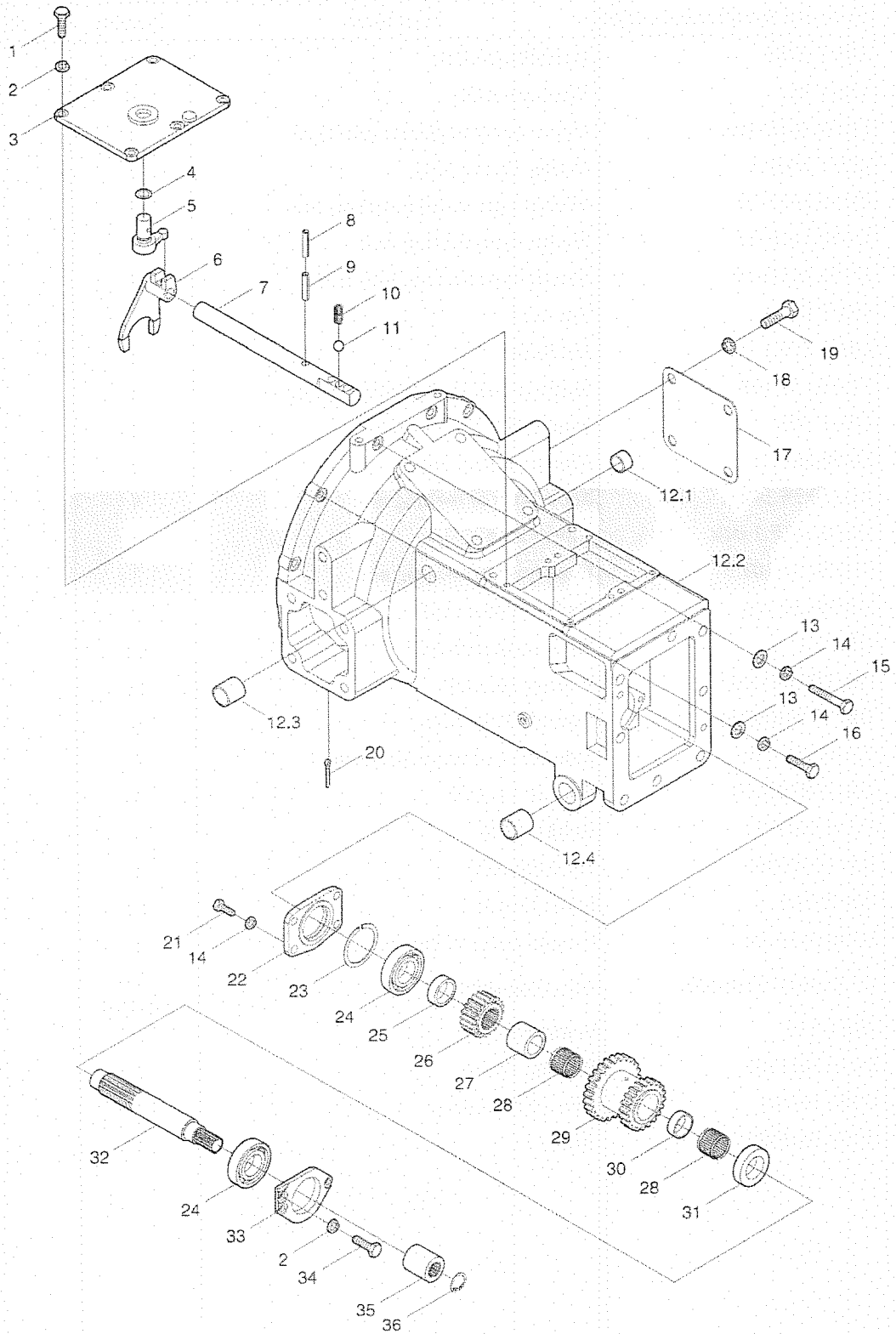
D254.361B Shuttle-type Shifting Assembly -1



## D254.361B Shuttle-type Shifting Assembly -1

S/N	Code and Specification of Part	Parts Name	Quantity	Remark
1	GB/T 5783	BoltM8x25-A2L	6	
2	GB/T 93	Washer8-AOP	9	
3	D250.361D-02a	Upper cover of shuttle gear shift	1	
4	GB/T 3452.1	O-ring 13.2x2.65G	1	
5	D250.361F-23	Shuttle-type shifting rocking arm	1	
6	D250.361F-27	Shuttle-type shifting fork	1	
7	D250.361D-19	Shuttle-type shifting fork shaft	1	
8	GB/T 879.1	Pin 4x24	1	
9	GB/T 879.1	Pin 6x24	1	
10	FD250.37.148	Shifting fork shaft locking spring	1	
11	GB-T 308	Steel ball 8.7312 G400b	1	
12	D250.361F.1	Clutch pressed unit	1	
12.1	FD250.36.102	Short bush of rocking arm	1	
12.2	D250.361F.1-01a	Clutch case	1	
12.3	FD250.36.103	Long bush of rocking arm	1	
12.4	FD250.36.104	Bush of pedal shaft	2	
13	GB/97.1	Plain washer10-AOP	12	
14	GB/T09300000	Washer 10-AOP	24	
15	GB/T578200000	Bolt M10x55-A3L	4	
17	FD250.36.110	Side cover of inspecting hole	1	
18	GB/T09300000	Washer 14-AOP	4	
19	D250.361F-17	BoltM14x20	4	
20	GB/T9100000	Pin 4x20 AOP	1	
21	GB/T5783	M10x25-A3L	12	
22	D250.361F-04	Pressed cover of bearing	1	
23	D250.361F-2100000	Adjusting shim	As required	
24	GB/T 276	Bearing6305	2	
25	D250.361F-05	Spacing sleeve	1	
26	D300.361-01	Gear of front drive	1	
27	D250.361F-25	Spacer I	1	

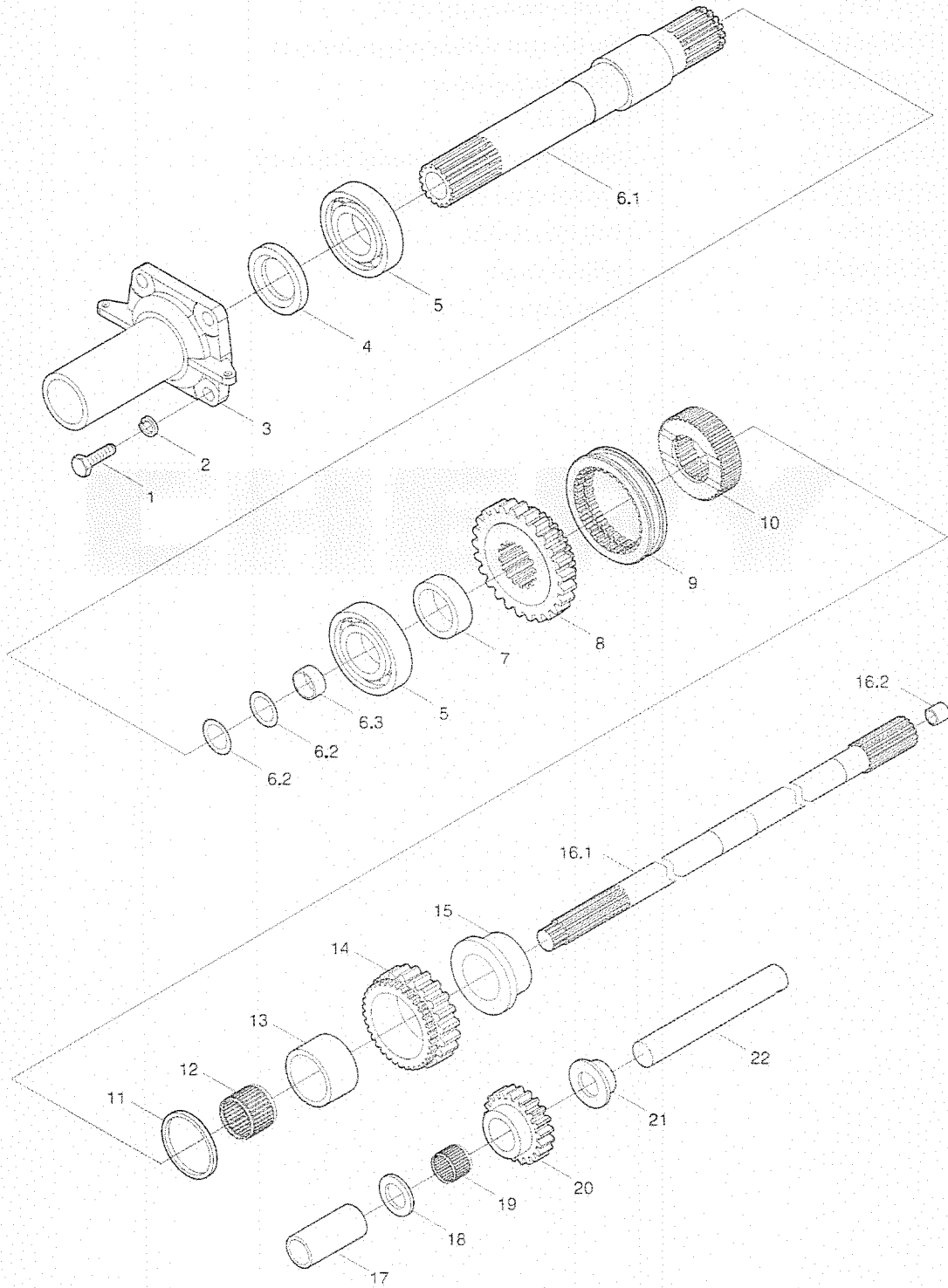
D254.361B Shuttle-type Shifting Assembly -1 Continued



## D254.361B Shuttle-type Shifting Assembly -1 Continued

S/N	Code and Specification of Part	Parts Name	Quantity	Remark
28	JB/T 7819	Needle bearingK30 35 27	1	
29	D250.361F-09	Shuttle-type shifting driven dual gear	1	
30	FT250.37.139	Short spacing collar	1	
31	D250.361F-26	Spacer II	1	
32	D250.361F-12	Shuttle-type shifting intermediate shaft	1	
33	D250.361F-22	Pressed cover of bearing	1	
34	GB/T5783	Bolt M8x20-A2L	3	
35	D250.361F-13	Splined sleeve	1	
36	GB/T 893.1	Snap ring 18	1	

D254.361B Shuttle-type Shifting Assembly -2

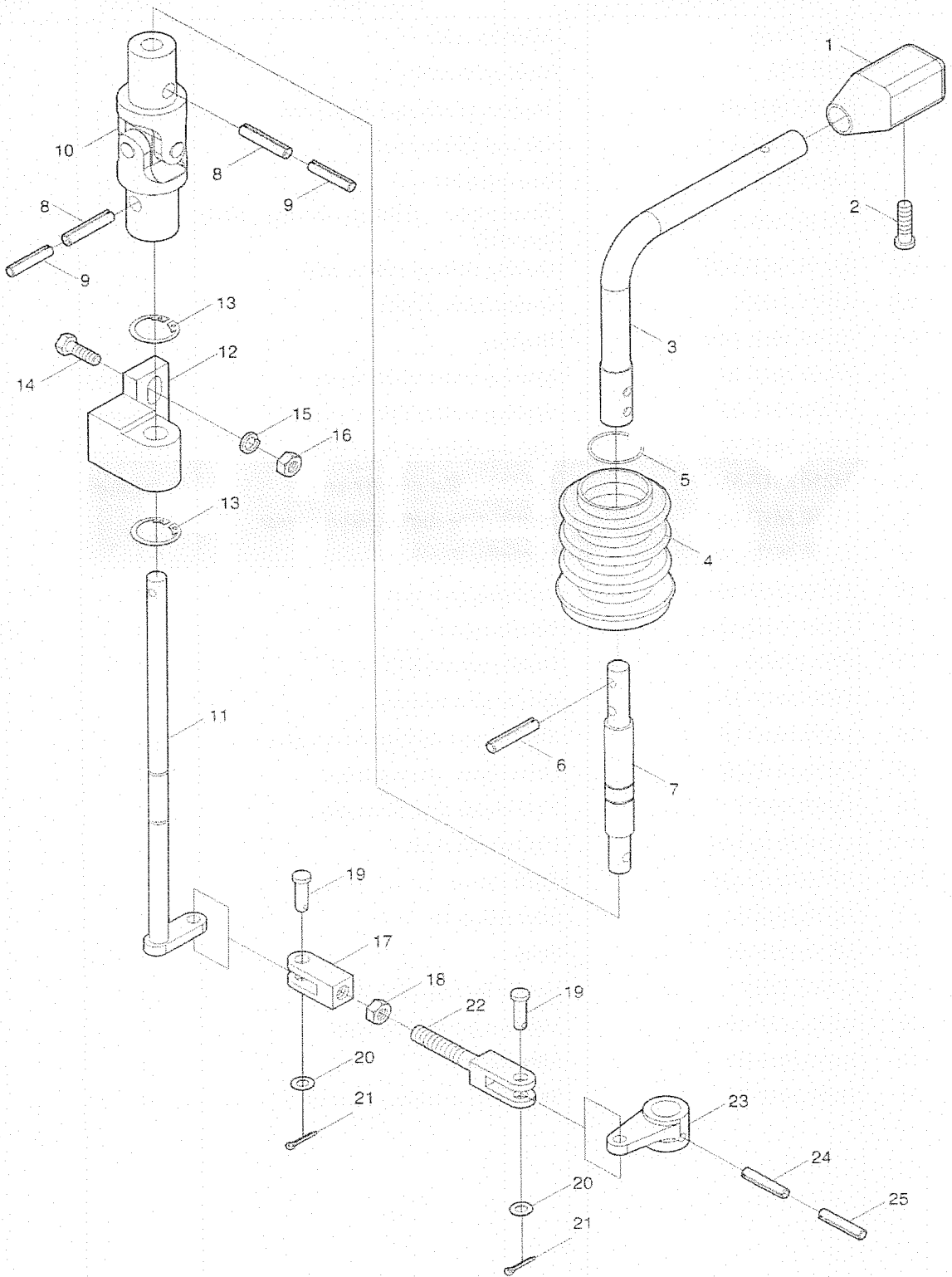


## D254.361B Shuttle-type Shifting Assembly -2

S/N	Code and Specification of Part	Parts Name	Quantity	Remark
1	GB/T5783	M10x25-A3L	12	
2	GB/T 93	Washer10-A0P	24	
3	D250.361F-01	Support of release bearing seat	1	
4	GB/T 9877.1	Oil seal FB35x55x8D	1	
5	GB/T0276	Bearing 6207	2	
6	D250.361F.2	Shuttle-type shifting driving shaft assembly	1	
6.1	D250.361F.2-01	Driving shaft of shuttle shift	1	
6.2	GB/T 3452.1	O-ring 20.0x 1.80G	2	
6.3	D250.361F.2-02	Bushing	1	
7	D250.361F-29	Spacing collar of drive gear	As required	
7.1	D250.361F-33	Spacing collar of drive gear	As required	
7.2	D250.361F-34	Spacing collar of drive gear	As required	
7.3	D250.361F-35	Spacing collar of drive gear	As required	
8	D250.361D-05	Shuttle-type shifting driving gear	1	
9	D250.361D-24	Engaging sleeve	1	
10	D250.361D-10	Engaging gear seat	1	
11	D250.361D-13	Needle spacer	1	
12	QSF ZB019	Needle bearingK42 48 21	1	
13	D250.361F-32	Driven gear bushing	1	
14	D250.361D-09	Shuttle-type shifting driven gear	1	
15	D250.361F-28	Driven gear spacing collar	1	
16	D250.361F.3	PTO clutch shaft assembly	1	
16'1	D250.361F.3-01	PTO clutch shaft	1	
16'2	FD250.36B.128	Shaft sleeve	1	
17	D250.361F-31	Idler spacer II	1	
18	D250.361F-01	Shim	1	
19	Q/SFZ B019	Needle bearing K20 26 24	1	
20	D250.361F-10	Shuttle-type shifting idler	1	
21	D250.361F-30	Idler spacer	1	
22	D250.361F-14	Shuttle-type shifting idler shaft	1	



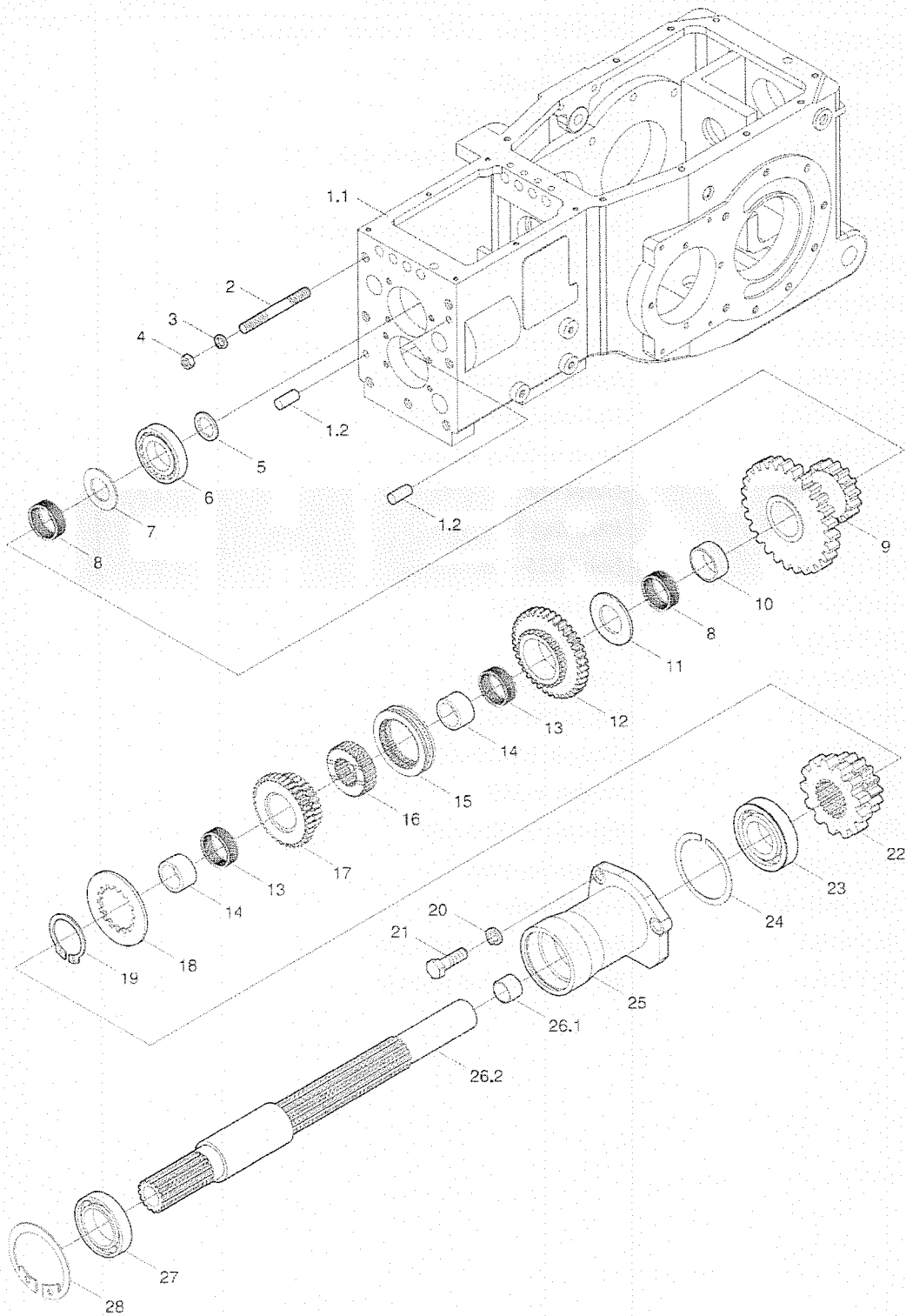
D250.362F Shuttle-type Shift Control Mechanism Assembly



## D250.362F Shuttle-type Shift Control Mechanism Assembly

S/N	Code and Specification of Part	Parts Name	Quantity	Remark
1	D250.362F	Shuttle gear shift control mechanism assembly	1	
	D250.362D-04	Plastic handle	1	
2	GB/T818	Screw M5x16-A2L	1	
3	D250.362D.6	Shifting lever welding-on unit	1	
4	D250.362D-01	Dust ring	1	
5	GB/T 895.2	Round wire snap ring for shaft 18	1	
6	D250.362F-05	Cylindrical pin	1	
7	D250.362F-01	Shifting lever	1	
8	GB/T 879.1	Spring cylindrical pin6x22	2	
9	GB/T 879.1	Spring cylindrical pin4x22	2	
10	D250.362D.2	Universal joint assembly	1	
11	D250.362F.1	Lever welding-on unit	1	
12	D250.362F-02	Guide seat	1	
13	GB/T 894.1	Snap ring 12	2	
14	GB/T 5783	Bolt 8X25-A2L	2	
15	GB/T393	Washer8-A0P	2	
16	GB/T6170	NutM8-A2L	2	
17	D250.362G-02	Connecting yoke	1	
18	GB/T36171	Nut M10X1-A3L	1	
19	GB/T3882	Axis pin B8X25-A2L	2	
20	GB/T 97.1	Washer 8-A0P	1	
21	GB/T391	Split pin 3.2X20-A0P	2	
22	D250.362F-04a	Connecting yoke	1	
23	D250.362F-03	Rocking arm	1	
24	GB/T 879.1	Spring cylindrical pin4x28	1	
25	GB/T 879.1	Spring cylindrical pin6x28	1	

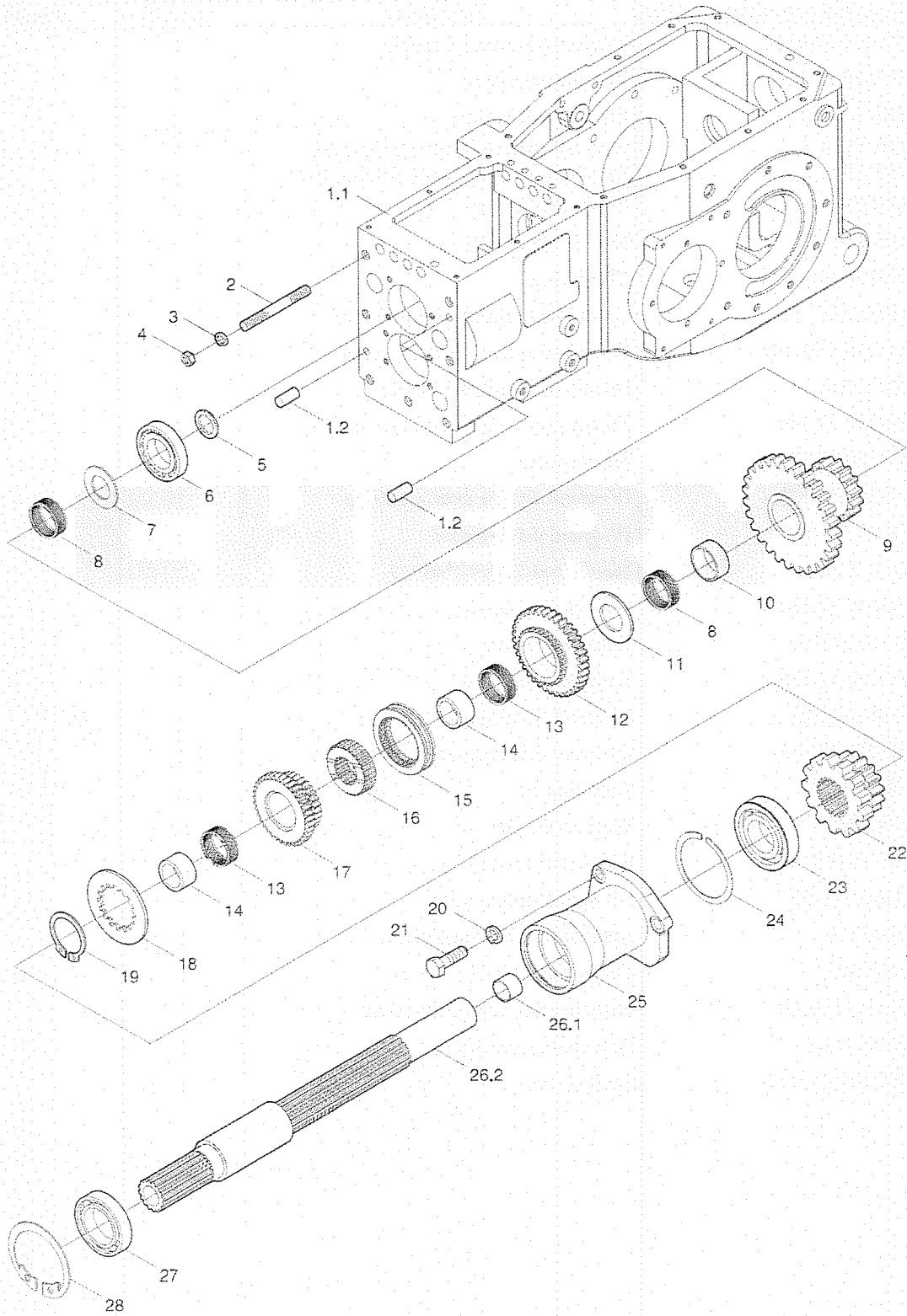
D254.371D Transmission Assembly-1



## D254.371D Transmission Assembly-1

S/N	Code and Specification of Part	Parts Name	Quantity	Remark
1	FD250.37.011a	Transmission case ssembly	1	
1.1	FD250.37.101a	Transmission case	1	
1.2	GB/T 119.1	Pin 10m6x26-A0P	2	
2	GB/T898	Stud bolt AM14-M14*1.5*35-A3L	4	
	GB/T898	Stud bolt AM14-M14*1.5*40-A3L	3	
3	GB/T93	Washer14-A0P	7	
4	GB/T6171	Nut M14*1.5-A3L	7	
5	FD250.37A.272	Check ring	1	
6	GB/T283	Cylindrical roller bearingNJ206E	1	
7	FD250.37A.147	First shaft splitter spacing collar	1	
8	JB/T7918	Needle bearingK30*35*27	2	
9	FD250.37.146	Fixing gear on high and low shift	1	
10	FD250.37.139	Short spacer	1	
11	FD250.37.138	IV-speed driving gear snap ring	1	
12	D300.371-08	IV-speed driving gear	1	
13	Q/SFZ B019	Needle bearingK42*48*22	2	
14	FD250.37.134	Gear sliding sleeve	2	
15	D300.371-09	Engaging sleeve	1	
16	FD250.37.135	Engaging gear seat	1	
17	D300.371-07	III-speed driving gear	1	
18	FD250.37.133	III-speed driving gear snap ring	1	
19	GB/T894.1	Snap ring 34	2	
20	GB/T93	Washer10-A0P	11	
21	GB/T5783	Bolt M10*25-A31	11	
22	D300.371-05	I-II-speed sliding gear	1	
23	GB/T276	Annular ball bearing6207N	1	
24	GB/T305	Check ring72/78.6	1	
25	D250.371B-04	Front bearing cap of first shaft	1	
26	D300.371.2	First shaft assembly	1	
26.1	FD250.37A.137	Shaft sleeve	1	

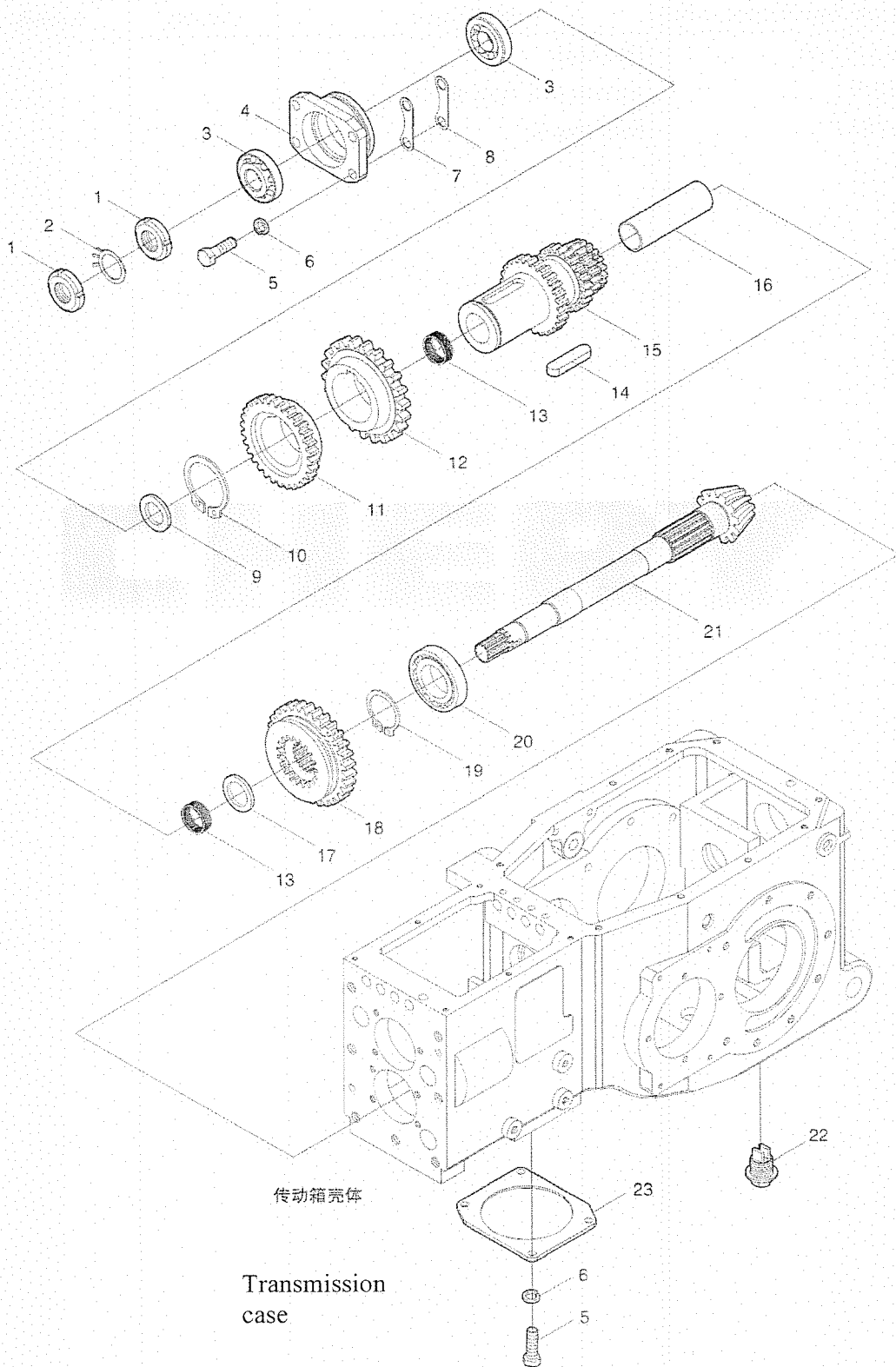
D254.371D Transmission Case Assembly -1 Continued



## D254.371D Transmission Case Assembly -1 Continued

S/N	Code and Specification of Part	Parts Name	Quantity	Remark
26.2	D300.371.2-01	First shaft	1	
27	GB/T276	Annular ball bearing6007	1	
28	GB/T893.1	Snap ring 62	1	

D254.371D Transmission Assembly-2

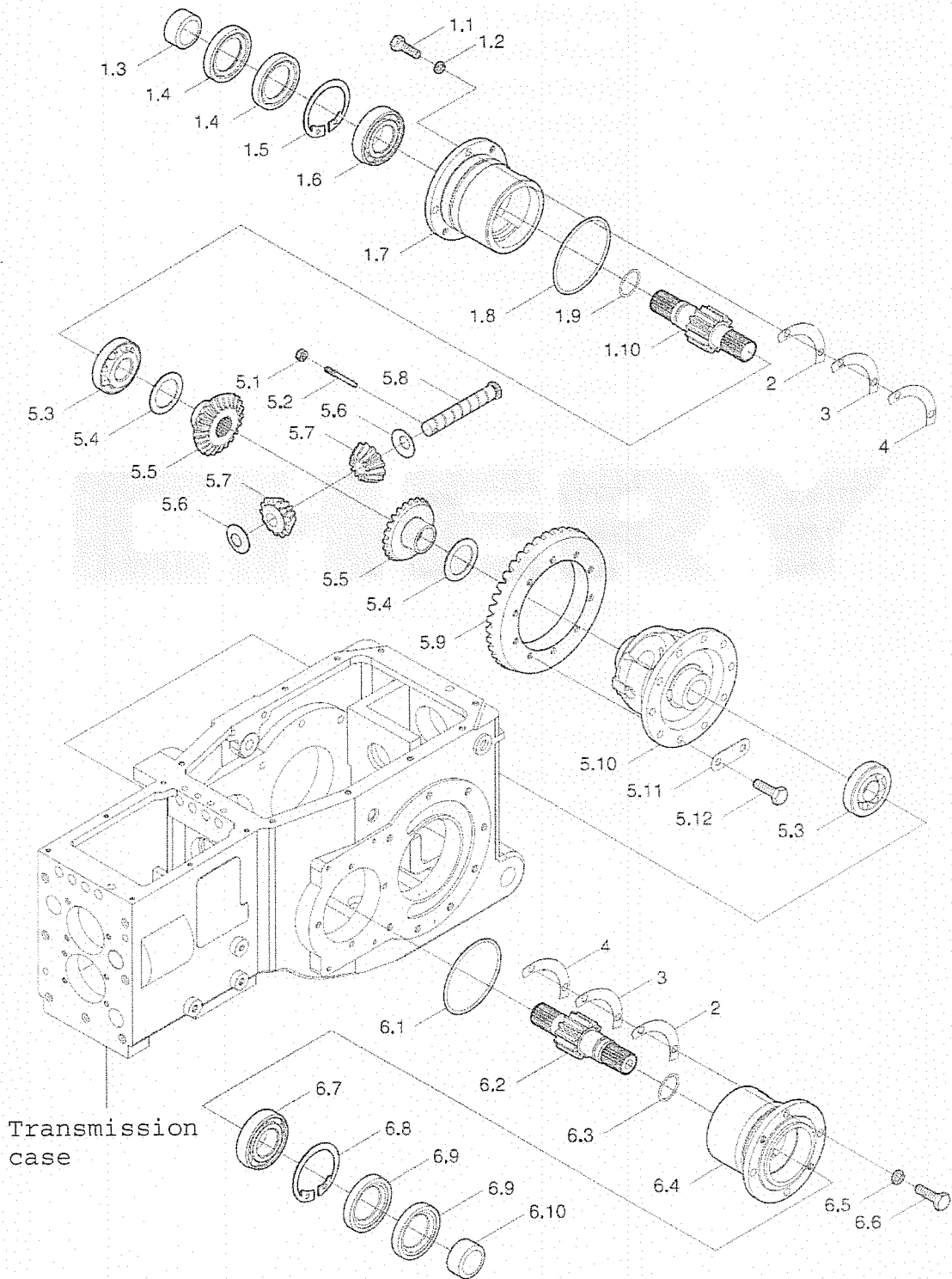


## D254.371D Transmission Assembly-2

S/N	Code and Specification of Part	Parts Name	Quantity	Remark
1	GB/T812	Round nutM27*1.5	2	
2	GB/T858	Lock washer 27	1	
3	GB/T297	Tapered roller bearing30206	2	
4	FD250.37.121	Second shaft front bearing seat	1	
5	GB/T5783	Bolt M10*25-A31	11	
6	GB/T93	Washer10-A0P	11	
7	FD250.37.122	Adjusting shim, second shaft		
8	FD250.37.123	Adjusting shim, second shaft		
9	FD250.37.110a	Front thrust ring, second shaft	1	
10	GB/T894.1	Snap ring 55	1	
11	D300.371-03	II shift gear	1	
12	D300.371-04	I shift gear	1	
13	JB/T918	Needle bearingK32*37*27	2	
14	GB/T1096	Key 14*9*56	1	
15	D300.371-06a	III-IV shift driven gear	1	
16	FD250.37.105 a	Long spacers	1	
17	FD250.37.104a	Rear thrust ring, second shaft	1	
18	FD250.37.103a	Sliding gear on high and low shift	1	
19	GB/T894.1	Snap ring 38	1	
20	D250.371C-02	Tapered roller bearing UP38*75*23	1	
21	D250.371B-01a	Second shaft	1	
22	RC800.38.020	Oil plug unit	1	
23	FD250.37.237	Blanking cap on the hole of transfer case	1	



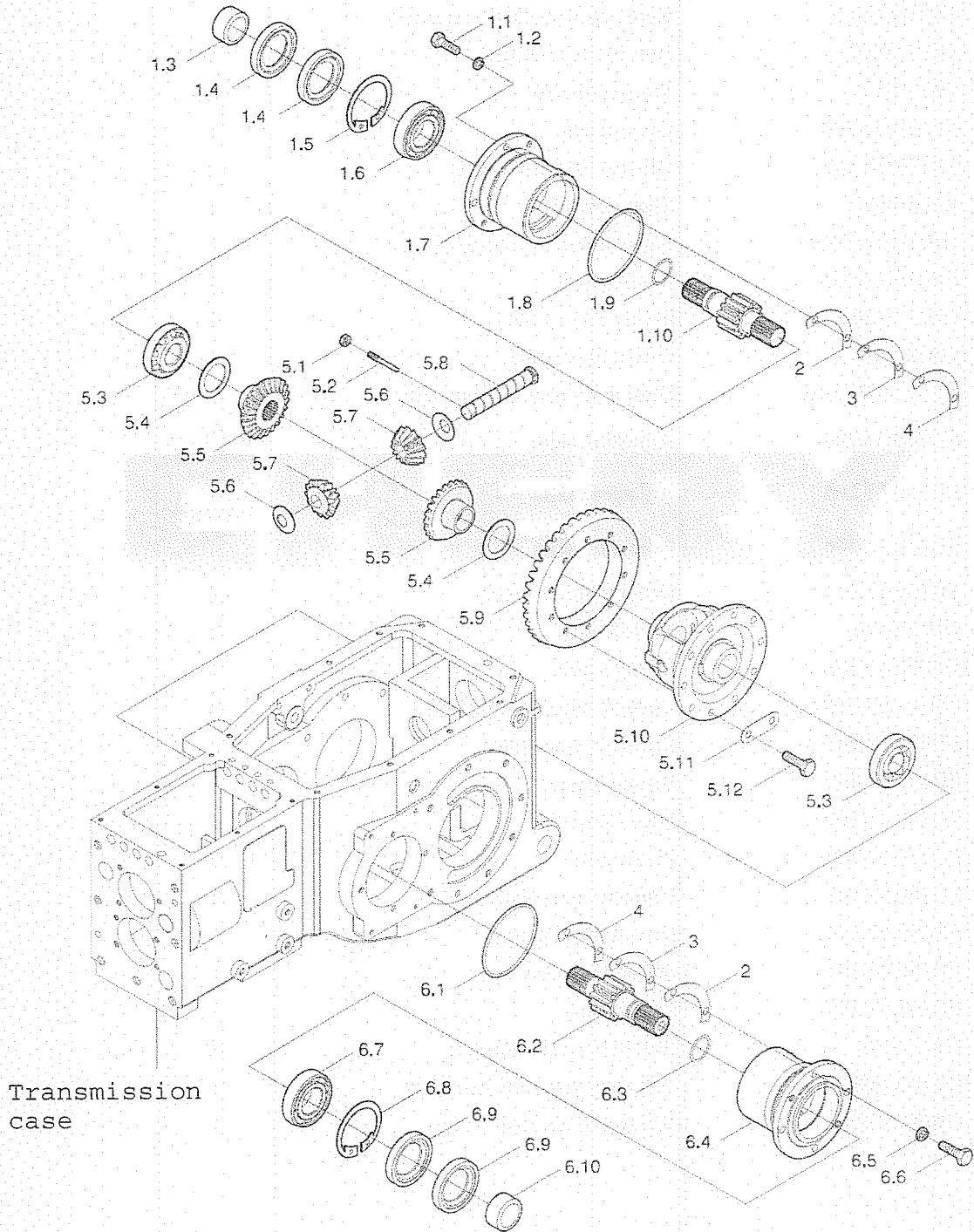
D250.372B Rear Countershaft Assembly of Transmission-1



## D250.372B Rear Countershaft Assembly of Transmission-1

S/N	Code and Specification of Part	Parts Name	Quantity	Remark
	D250.372B	Rear countershaft assembly of transmission	1	
1	D250.372B.2	Right short semiaxle assembly	1	
1.1	GB/T 5783	Bolt M10x25-A3L	4	
1.2	GB/T 93	Washer10-A0P	4	
1.3	FD250.37.208	Oil seal ring	1	
1.4	FD250.37.122	Oil seal FB50x80x 12D	2	
1.5	GB/T 893.1	Snap ring 80	1	
1.6	GB/T 276-1994	Annular ball bearing6307	1	
1.7	FD250.37.207	Bearing seat	1	
1.8	GB/T 3452.1	O ring 103 x3.55G	1	
1.9	GB/T 3452.1	O ring 28 x3.55G	1	
1.10	D250.372B.1-01	Final drive gear on main shaft	1	
2	FD250.37.204	Adjusting shim	As required	
3	FD250.37.205	Adjusting shim	As required	
4	FD250.37.206	Adjusting shim	As required	
5	FD250.37.013	Differential assembly	1	
5.1	GB/T 6170	NutM8-A2L	2	
5.2	FD250.37.201	Fixing screw	1	
5.3	GB/T 297-1994	Conical roller bearing32011	2	
5.4	FD250.37.203	Semiaxle gear shim	2	
5.5	FD250.37.202	Semiaxle gear	2	
5.6	FD250.37.199	Planet gear shim	2	
5.7	FD250.37.200	Planet gear	2	
5.8	FD250.37.198	Planetary gear shaft	1	
5.9	FD250.37.196	Driven bevel gear	1	
5.10	FD250.37.197	Differential case	1	
5.11	FD250.37.195	Lock plate	5	
5.12	GB/T 5786	Bolt M10x 1.25x25-A2L	10	
6	D250.372B.1	Left short semiaxle assembly	1	
6.1	GB/T 3452.1	O ring 103 x3.55G	1	

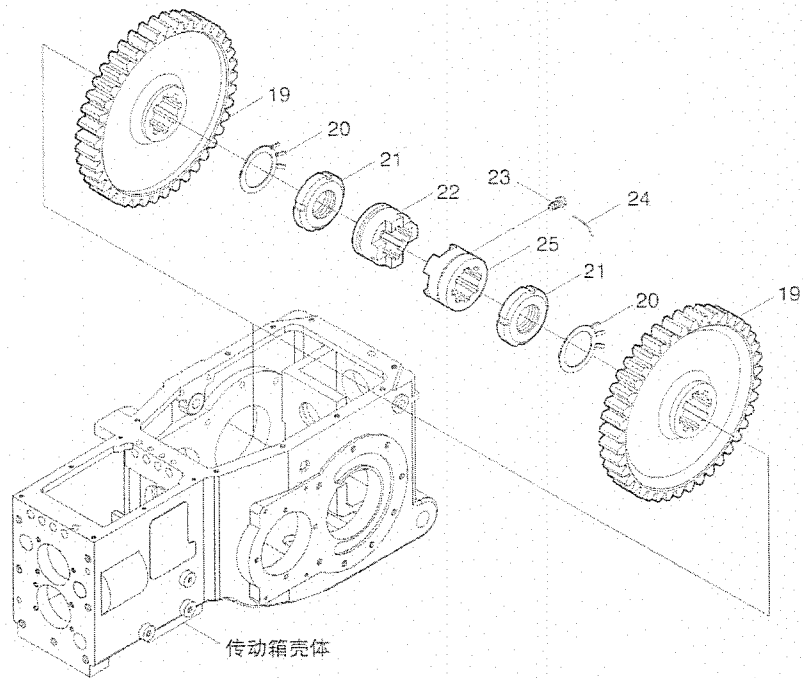
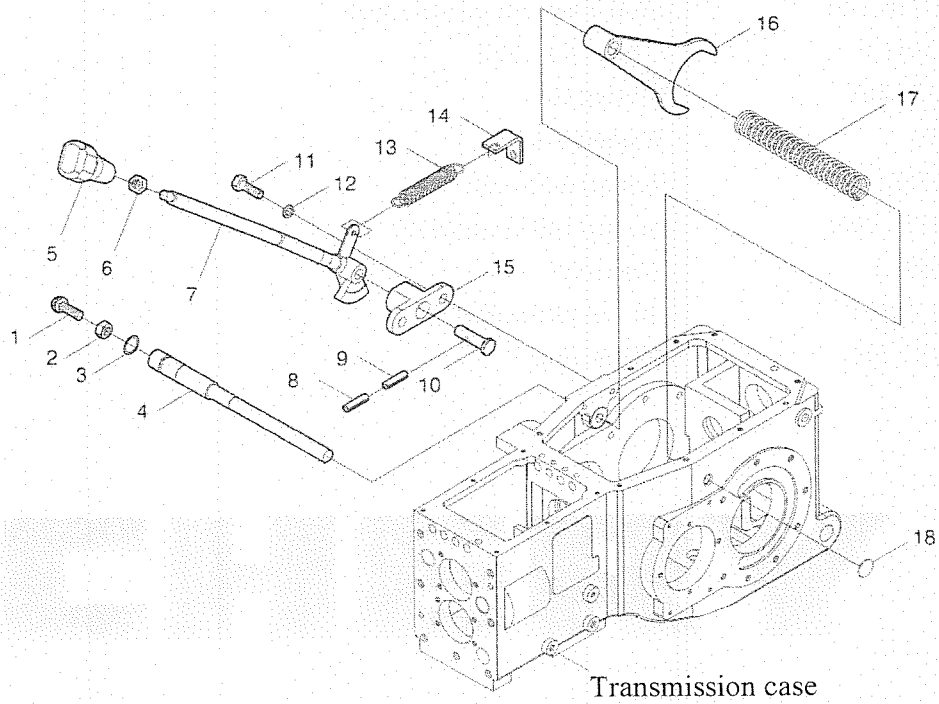
D250.372B Transmission Case Rear Central Assembly -1 Continued



## D250.372B Transmission Case Rear Central Assembly -1 Continued

S/N	Code and Specification of Part	Parts Name	Quantity	Remark
6.2	D250.372B.1-01	Final drive gear on main shaft	1	
6.3	GB/T 3452.1	O ring 28 x3.55G	1	
6.4	FD250.37.207	Bearing seat	1	
6.5	GB/T 93	Washer10-A0P	4	
6.6	GB/T5783	Bolt M10x25-A3L	4	
6.7	GB/T4276-1994	Annular ball bearing6307	1	
6.8	GB/T4893.1	Washer80	1	
6.9	FD250.37.112	Oil seal FB50x80x12D	2	
6.10	FD250.37.208	Oil seal ring	1	

D250.372B Rear Countershaft Assembly of Transmission-2

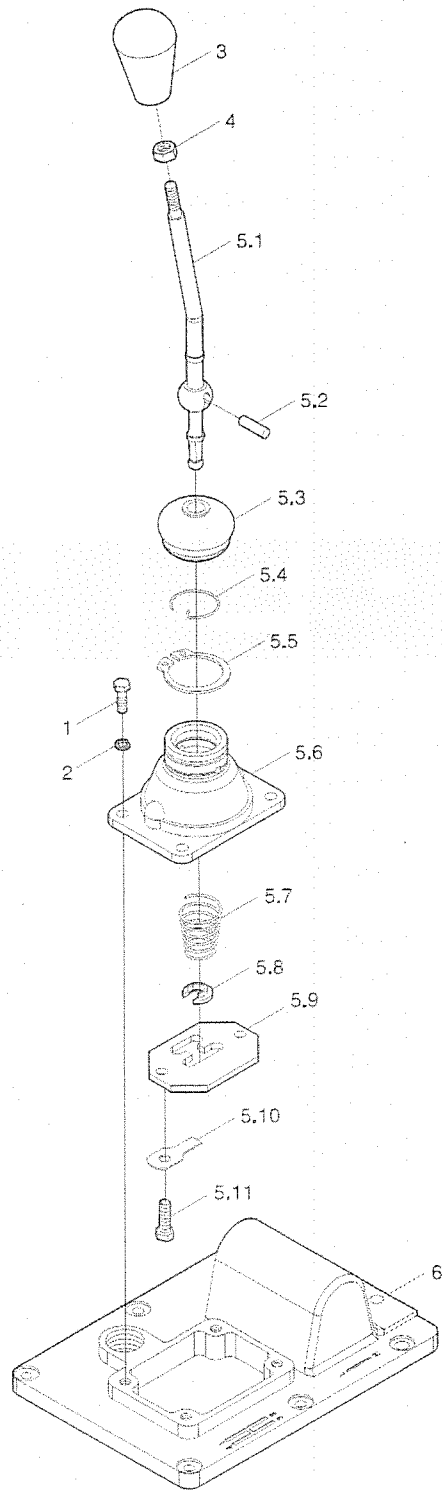


Transmission case

## D250.372B Rear Countershaft Assembly of Transmission-2

S/N	Code and Specification of Part	Parts Name	Quantity	Remark
1	D250.372B FD250.37.323	Rear countershaft assembly of transmission	1	
2	GB/T6172.1	Ball headed bolt	1	
3	GB/T 3452.1	NutM10-A3L	1	
4	FD250.37.267	O-ring15x2.65G	1	
5	FD250.41C.012	Differential fork shaft	1	
6	GB/T6170	Differential control handle	1	
7	FD250.37.050	Nut M10-A3L	1	
8	GB/T 879.1	Differential control welding-on unit	1	
9	GB/T 897.1	Pin3x22	1	
10	FD250.37.322	Pin5x22	1	
11	GB/T 5783	Axis pin	2	
12	GB/T 93	BoltM10X25-A3L		
13	FD250.372B-03	Washer 10-A0P	2	
14	FD250.372B-04	Return spring		
15	FD250.37.320	Spring bracket	1	
16	FD250.37.262	Fixing seat	1	
17	FD250.37.263	Differential fork	1	
18	FD250.37.232	Differential spring	1	
19	D250.372B-01	Plug-in piece	1	
20	GB/T 858	Final drive driven gear	2	
21	GB/T2812	Washer 52	2	
22	FD250.37.261	Nut M52X1.5	2	
23	FD250.37.264	Right toothed	1	
24	D250.372B.1-02	Locked screw	1	
25	FD250.37.265	Mild steel wireSZ1.6x240	1	
		Left toothed	1	

D300.373 Transmission Case Control Mechanism Assembly-1



## D300.373 Transmission Case Control Mechanism Assembly-1

S/N	Code and Specification of Part	Parts Name	Quantity	Remark
1	D300.373 GB/T 5783	Transmission case control mechanism assembly Bolt M8X25-A3L	1 4	
2	GB/T 93	Washer8-A0P	4	
3	D250.371G.2.2A	Stick shift	1	
4	GB/T,6170	Nut M10-A3L	1	
5	D250.373.1	Main stick shift assembly	1	
5.1	FD250.37.180	Stick shift	1	
5.2	GB/T 119.2	Pin 6x40-A0P	1	
5.3	FD250.37.181	Stick shift sealed cover	1	
5.4	FD250.37.248	Steel wire circlip	1	
5.5	GB/T 894.1	Washer45	1	
5.6	FD250.37.211	Main stick shift seat	1	
5.7	FD250.37.183	Stick shift spring	1	
5.8	FD300.37.164	Spring circlip of stick shift	1	
5.9	D300.373.1-01	Guide plate of stick shift	1	
5.10	GB/T 854	Washer 8	2	
5.11	GB/T 5783	Bolt M8X16-A2L	2	
6	D250.373B-03	Gearbox case	1	

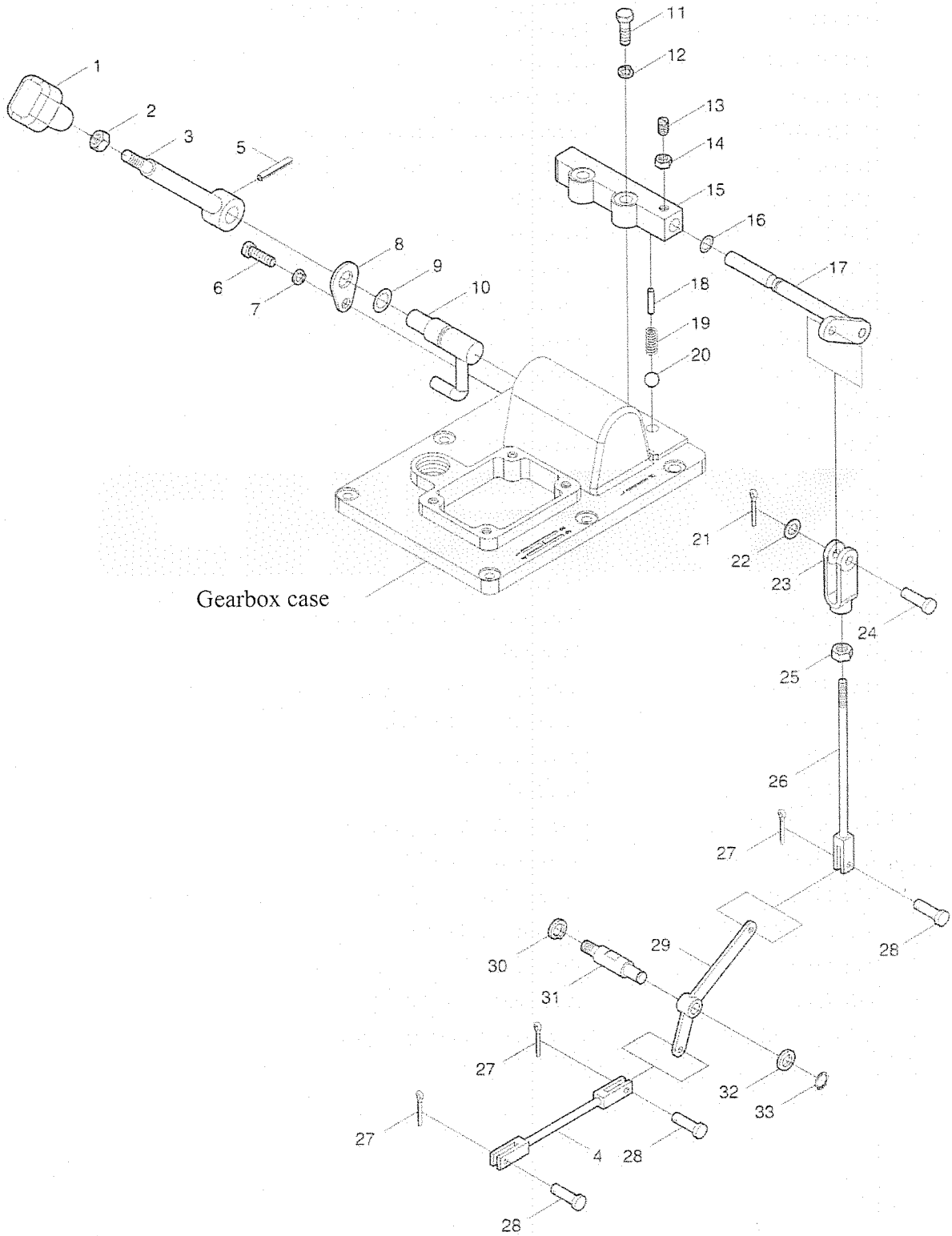




## D300.373 Transmission Case Control Mechanism Assembly-2

S/N	Code and Specification of Part	Parts Name	Quantity	Remark
	D300.373	Transmission case control mechanism assembly	1	
1	FD250.37.037A	Ranger selector	1	
2	GB/T6170	Nut M10-A3L	1	
3	FD250.37.020	Ranger selector welding-on unit	1	
4	D250.373B.4	Pull rod welding (II)	1	
5	GB/T 879,1	Pin 5x30	1	
6	GB/T 5783	Bolt M8x16-A2L	1	
7	GB/T393	Washer8-A0P	1	
8	FD250.37.313	Pressure plate	1	
9	GB/T 3452.1	O ring 15x2.65G	1	
10	FD250.37.038	Ranger selector assembly	1	
11	GB/T 5783	Bolt M10x40-A3L	2	
12	GB/T 93	Washer 10-A0P	2	
13	FD250.37.249	Fixing screw	1	
14	GB/T6173	Nut M8x1-A1L	1	
15	FD250.37.254	Interlock pressure seat	1	
16	GB/T 3452.1	O ring 8.75 x 1.80G	1	
17	D250.373B.5	Interlock shaft welding-on unit	1	
18	FD250.37.250	Fixing pin	3	
19	FD250.37.148	Shifting fork shaft locking spring	3	
20	GB/T 308	Steel ball 8.731-G200-b	3	
21	GB/T391	Pin3.2x20-A0P	1	
22	GB/T 97.1	Washer8-A0P	1	
23	FD250.43.103	Brake link adjusting fork	1	
24	GB/T3882	Axis pinB8x28-A0P	1	
25	GB/T36170	Nutm8-A2L	1	
26	D250.373B.2	Pull rod welding (I)	1	
27	GB/T391	Pin2.0x10-A0P	3	
28	GB/T3882	Axis pinB6x20-A0P	3	
29	D250.373B.3	Shaft sleeve welding-on unit	1	

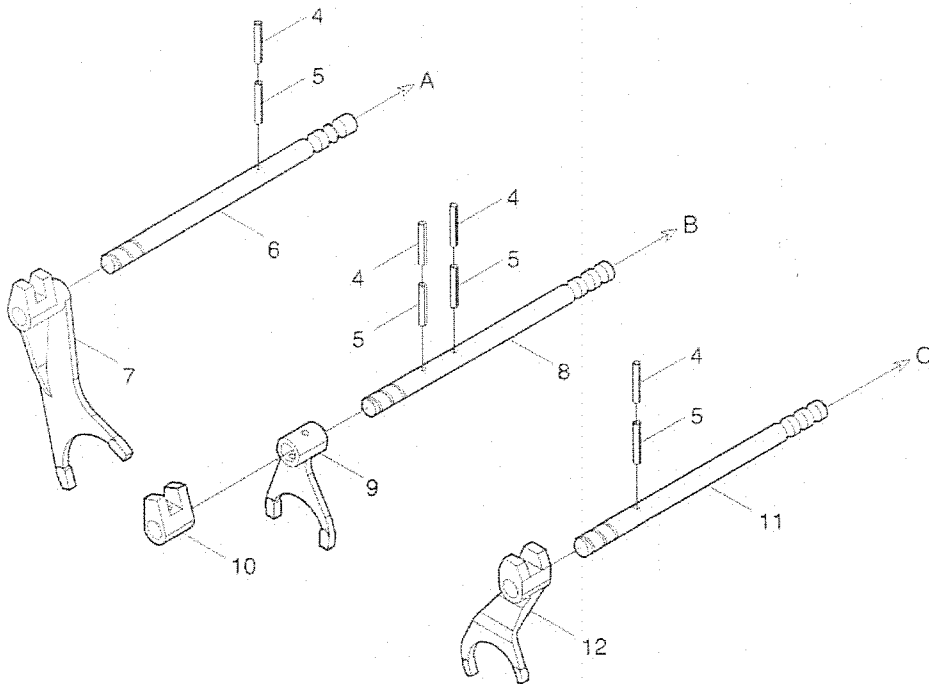
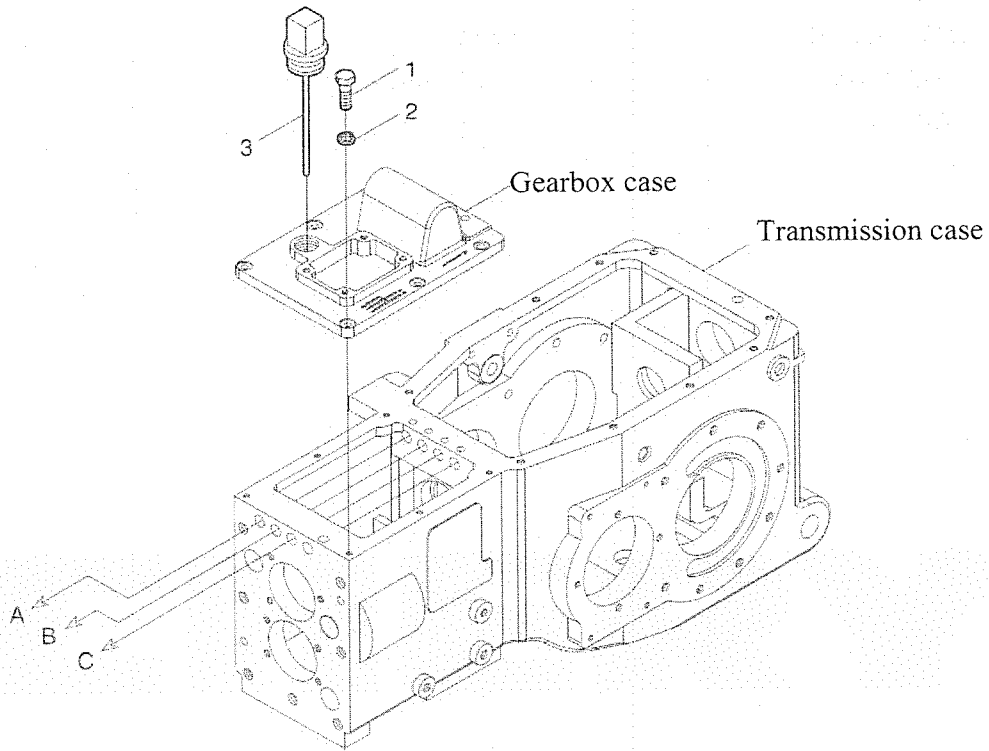
D300.373 Transmission Case Control Mechanism Assembly-2Continued



## D300.373 Transmission Case Control Mechanism Assembly-2Continued

S/N	Code and Specification of Part	Parts Name	Quantity	Remark
30	GB/T 93	Washer12-A0P	1	
31	D250.373B-04	Stud bolt	1	
32	GB/T 848	Check ring 12-A0P	1	
33	GB/T 894.1	Check ring 12	1	

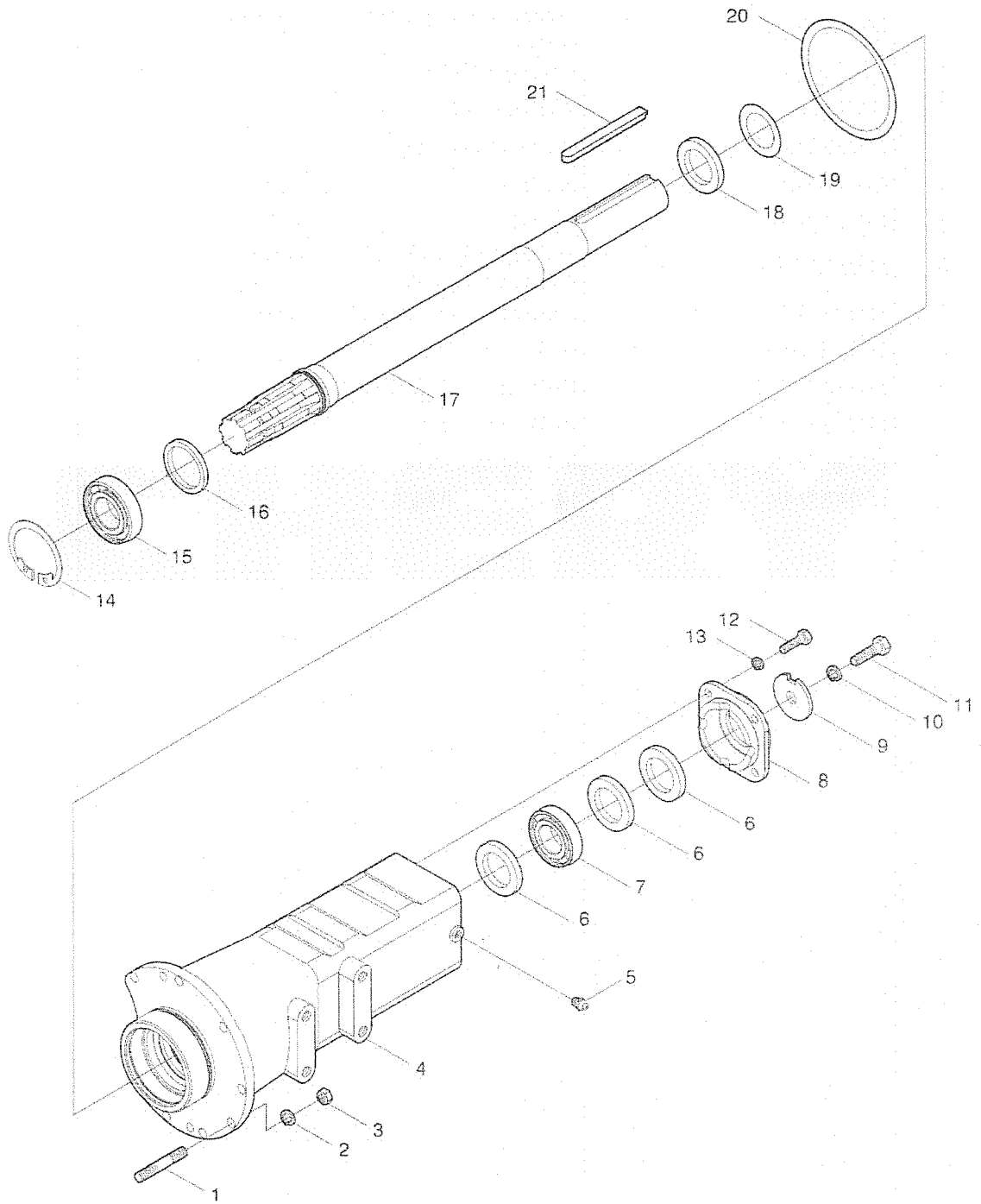
D300.373 Transmission Case Control Mechanism Assembly-3



## D300.373 Transmission Case Control Mechanism Assembly-3

S/N	Code and Specification of Part	Parts Name	Quantity	Remark
	D300.373	Transmission case control mechanism assembly	1	
1	GB/T 5783	Bolt M8X30-A3L	6	
2	GB/T 93	Washer8-A0P	6	
3	FD250.37.030	Oil gauge assembly	1	
4	GB/T 879.1	Pin 3x24	4	
5	GB/T 879.1	Pin 5x24	4	
6	FD250.37.188	Shifting fork shaft for high and low speed shifting fork	1	
7	FD250.37.145	Shifter fork for high and low speed	1	
8	D300.373-03	shift	1	
9	FD250.37.143	III-IV-speed shifting fork	1	
10	FD250.37.142	III-IV-speed shift	1	
11	D300.373-02	I-II shift fork shaft	1	
12	D300.373-01	I-II-speed shifting fork	1	

FD250.37B.028 Right Axle Shaft Assembly

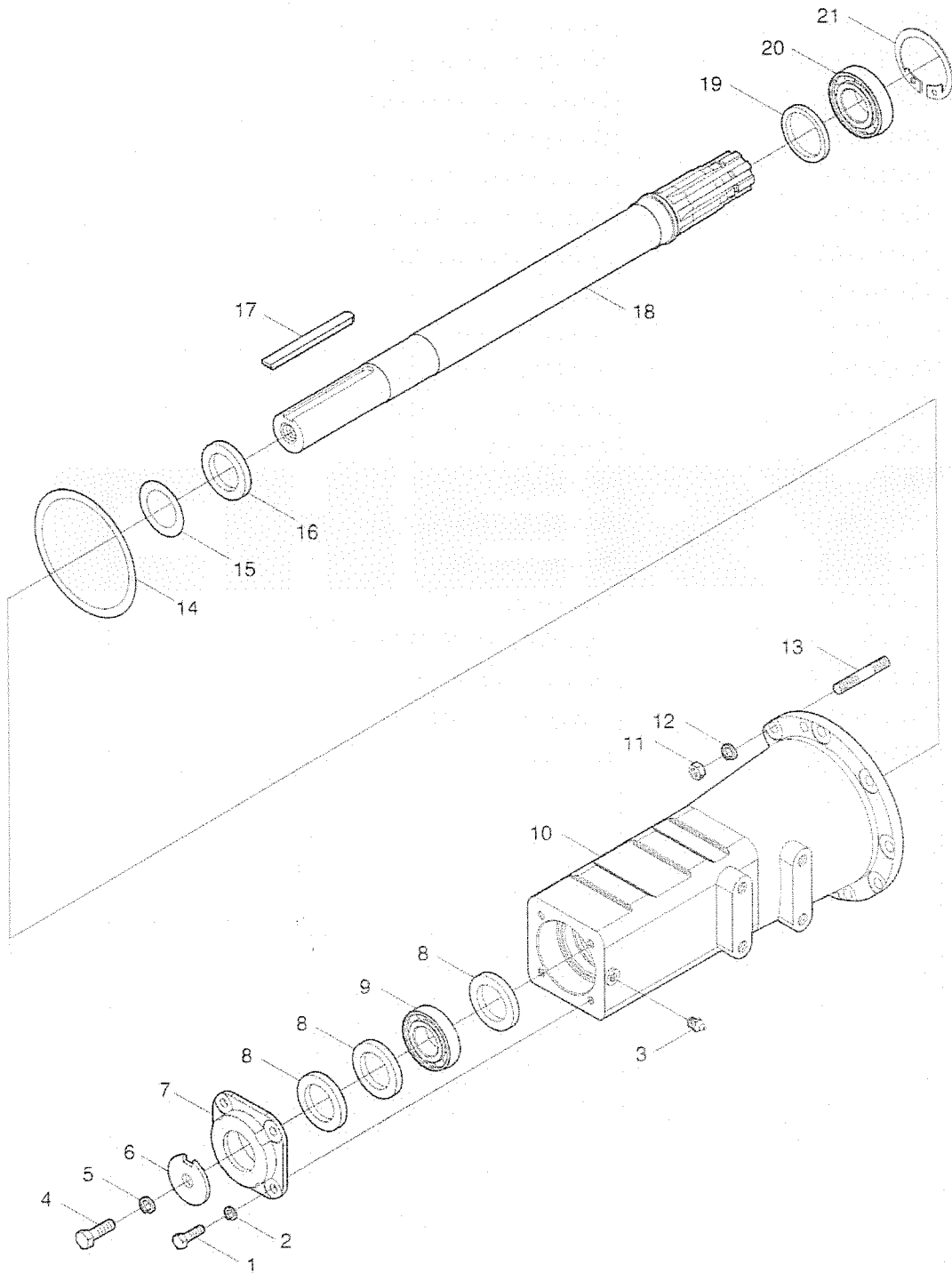


## FD250.37B.028 Right Axle Shaft Assembly

S/N	Code and Specification of Part	Parts Name	Quantity	Remark
1	GB/T898	Stud bolt AM12-M12X1.25X35-10.9-A2L	8	
2	GB/T93	Washer12-AOP	8	
3	GB/T 6171	Nut M12X1.25-10-A3L	8	
4	FD250.37B.217	Sleeve of right drive shaft	1	
5	JB/T7940.1	Oil cupM10X1	1	
6	GB/T 9877.1	Frame oil sealFB50X72X8F	3	
7	GB/T/276	Deep groove ball bearing 6210	1	
8	FD250.37.214	Bearing cap, drive shaft	1	
9	FD250.37.216	Washer	1	
10	GB/T93	Washer 16-AOP	1	
11	GB/T5783	Bolt M16X35-8.8-A3L	1	
12	GB/T5783	Bolt M10X25-8.8-A3L	4	
13	GB/T93	Washer 10-AOP	4	
14	GB/T 893.1	Washer100	1	
15	GB/T 276	Annular ball bearing6211	1	
16	FD250.37.218	Bearing snap ring	1	
17	FD250.37B.212	Drive shaft	1	
18	GB/T 9877.1	Frame oil seal FB55X75X8F	1	
19	FD250.37.242	Oil seal spacer ring	1	
20	GB/T 3452.1	O-ring 112X3.55G	1	
21	FD250.37.220	Key on flat	1	



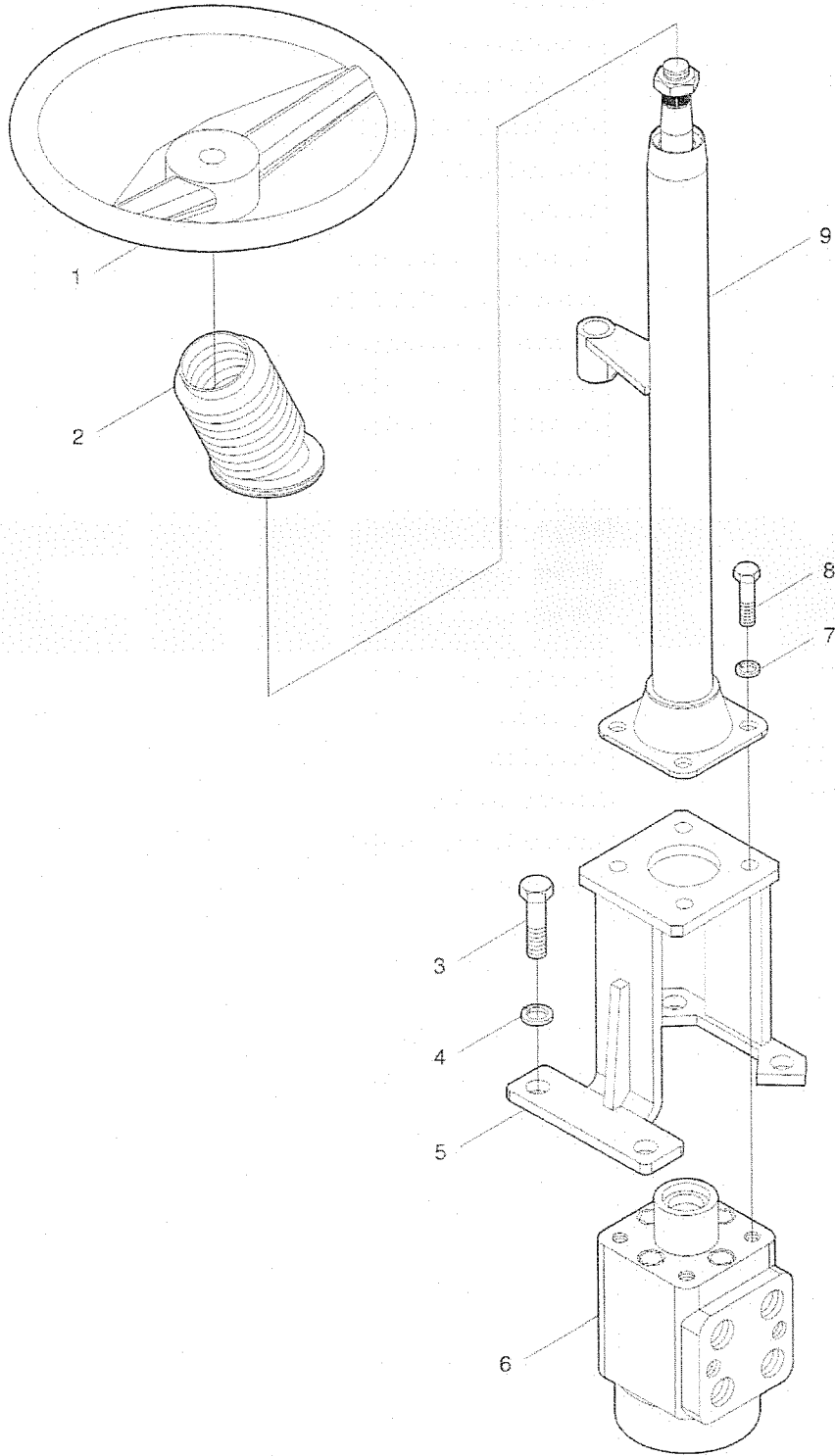
FD250.37B.029 Left Axle Shaft Assembly



## FD250.37B.029 Left Axle Shaft Assembly

S/N	Code and Specification of Part	Parts Name	Quantity	Remark
1	GB/T5783	Bolt M10X25-8.8-A3L	4	
2	GB/T93	Washer10-90P	4	
3	JB/T7940.1	Oil cupM10X1	1	
4	GB/T5783	Bolt M16X35-8.8-A3L	1	
5	GB/T93	Washer16-A0P	1	
6	FD250.37.216	Washer	1	
7	FD250.37.214	Bearing cap, drive shaft	1	
8	GB/T 9877.1	Frame oil sealFB50X75X8F		
9	GB/T 276	Annular ball bearing6210	1	
10	FD250.37B.226	Sleeve of left drive shaft	1	
11	GB/T6171	nut M12X1.25-10-A2L	8	
12	GB/T93	washer12-A0P	8	
13	GB/T898	Stud bolt M12-M12X1.25X35-10.9-A3L	8	
14	GB/T 3452.1	O-ring 12X3.55G	1	
15	FD250.37.242	Oil seal spacer ring	1	
16	GB/T 9877.1	Frame oil seal FB55X75X8F	1	
17	FD250.37.215	key on flat	1	
18	FD250.37B.212	Drive shaft	1	
19	FD250.37.218	Bearing snap ring	1	
20	GB/T 276	Annular ball bearing6211	1	
21	GB/T 893.1	Washer100	1	

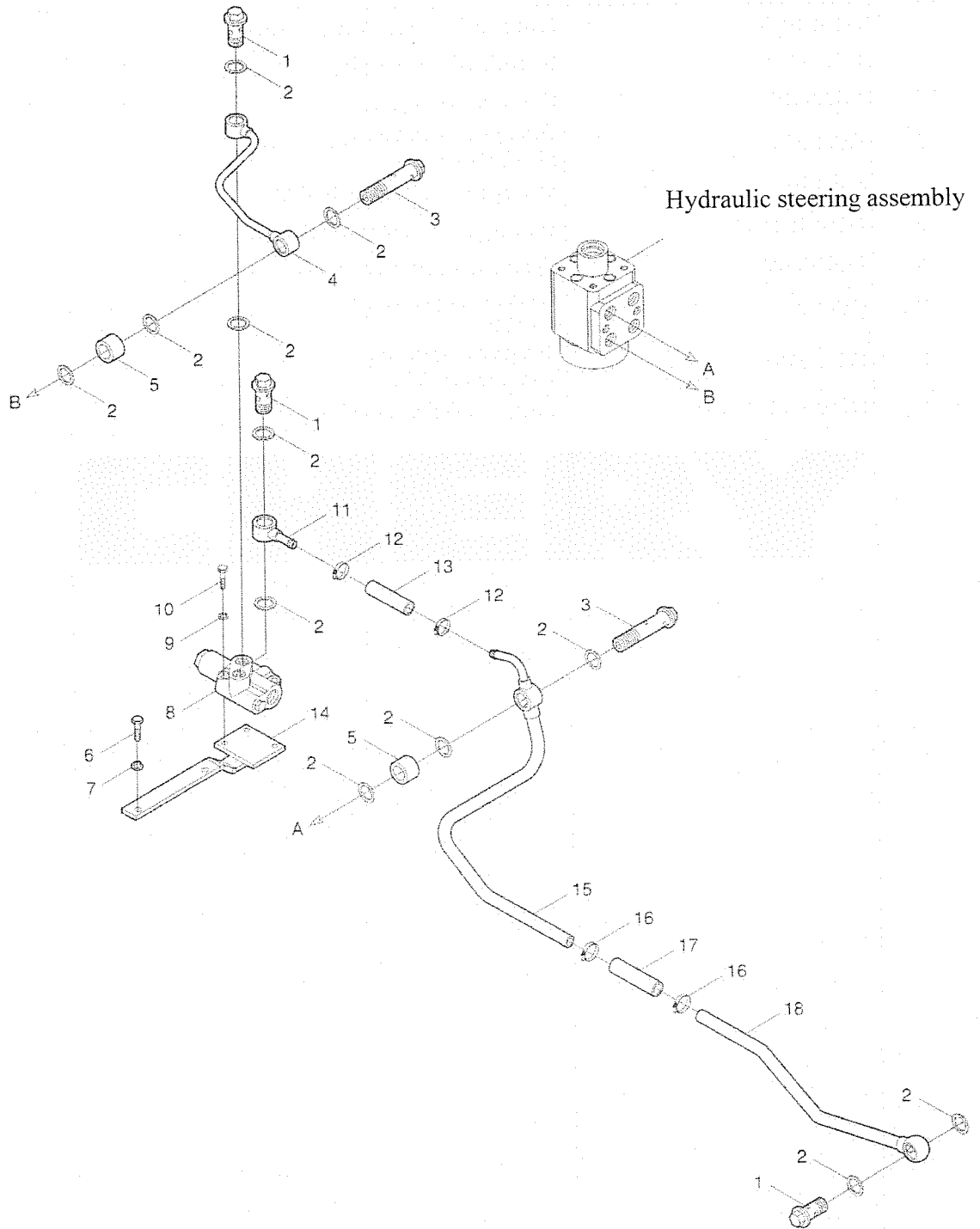
D254.40.001 Hydraulic Steering System Assembly-1



## D254.40.001 Hydraulic Steering System Assembly-1

S/N	Code and Specification of Part	Parts Name	Quantity	Remark
	D254.40.001	Hydraulic steering system assembly	1	
1	D250.401G	Steering wheel assembly	1	
2	FD220.40.301	Cover of steering rod	1	
3	GB/T 5783	Hexagonal head bolt M14X35-8.8-A3L	4	
4	GB/T 93	Standard spring washer14-40P	4	
5	D254.402A.6	Steering gear support welding-on unit	1	
6	FD254.40.028	Hydraulic steering assembly	1	
7	GB/T 93	Standard spring washer 10-A0P	4	
8	GB/T 5783	Hexagonal head bolt M10X30-8.8-A3L	4	
9	D250.403B.1HAA	Steering column assembly	1	

D254.40.001 Hydraulic Steering System Assembly-2

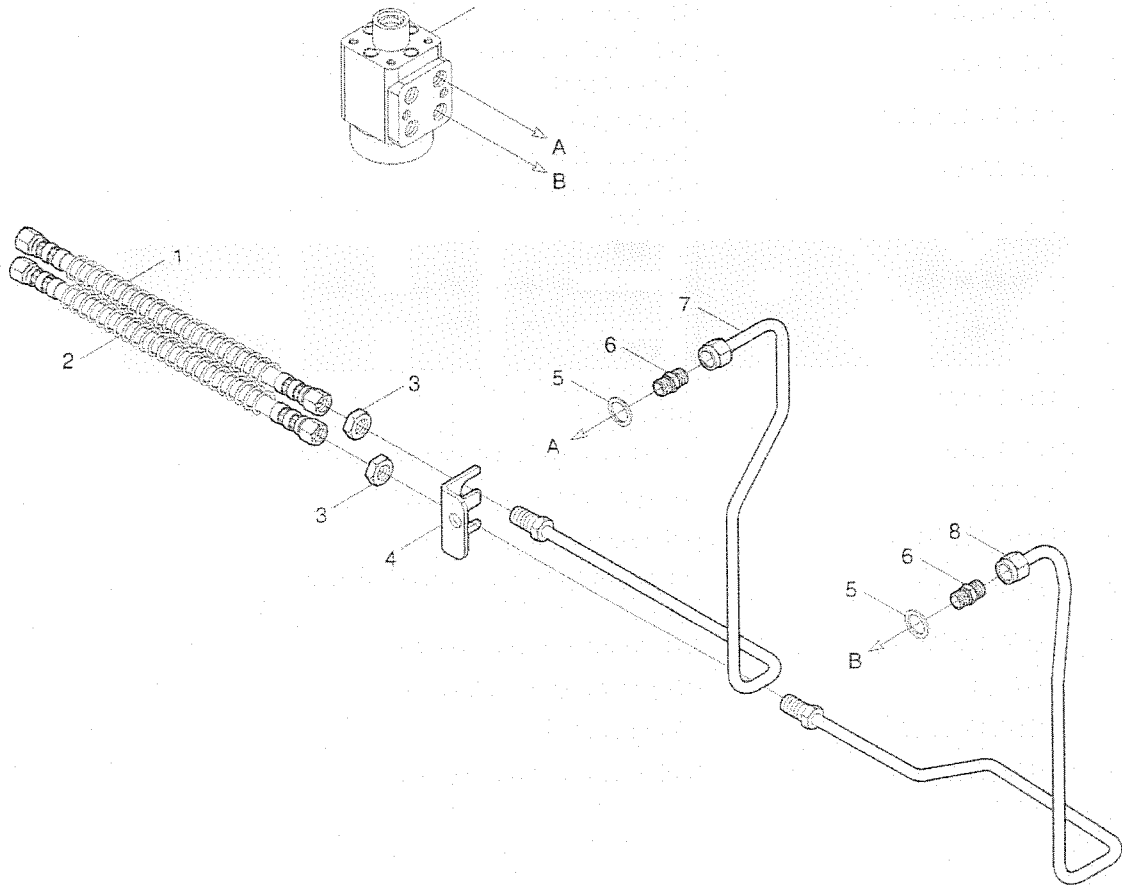


## D254.40.001 Hydraulic Steering System Assembly-2

S/N	Code and Specification of Part	Parts Name	Quantity	Remark
1	D254.40.001	Hydraulic steering system assembly	1	
	RC800.40.101	Hollow bolt M20X1.5	3	
2	JB/T 982-1977	A type combined washer 20	12	
3	FD254.40A.112	Hollow bolt (1)	2	
4	D254.402C.3	Oil intaking steel pipe assembly, steering gear	1	
5	FD254.40A.114	Nipple pipe	2	
6	GB/T5783	Hexagonal head bolt M10X25-8.8-A3L	2	
7	GB/T 93	Washer 10-A0P	2	
8	FD254.40.030	Flow divider valve with steady one way	1	
9	GB/T 93	Standard spring washer 8-A0P	3	
10	GB/T 5782	Hexagonal head bolt M8x60-8.8-A2L	3	
11	D254.402C.7	Oil return steel pipe welding-on unit	1	
12	Q67627	B-type worm drive hose clip	2	
13	D254.402C-01	Oil return hose	1	
14	D254.402A.7	Flow divider valve bracket welding-on unit	1	
15	D254.402C.4	Oil return steel pipe assembly	1	
16	Q67638	B-type worm drive hose clip	2	
17	D254.402A-01	Oil return hose	1	
18	D254.402A.11	Oil return steel pipe assembly 2	1	

D254.40.001 Hydraulic Steering System Assembly-3

Hydraulic steering assembly

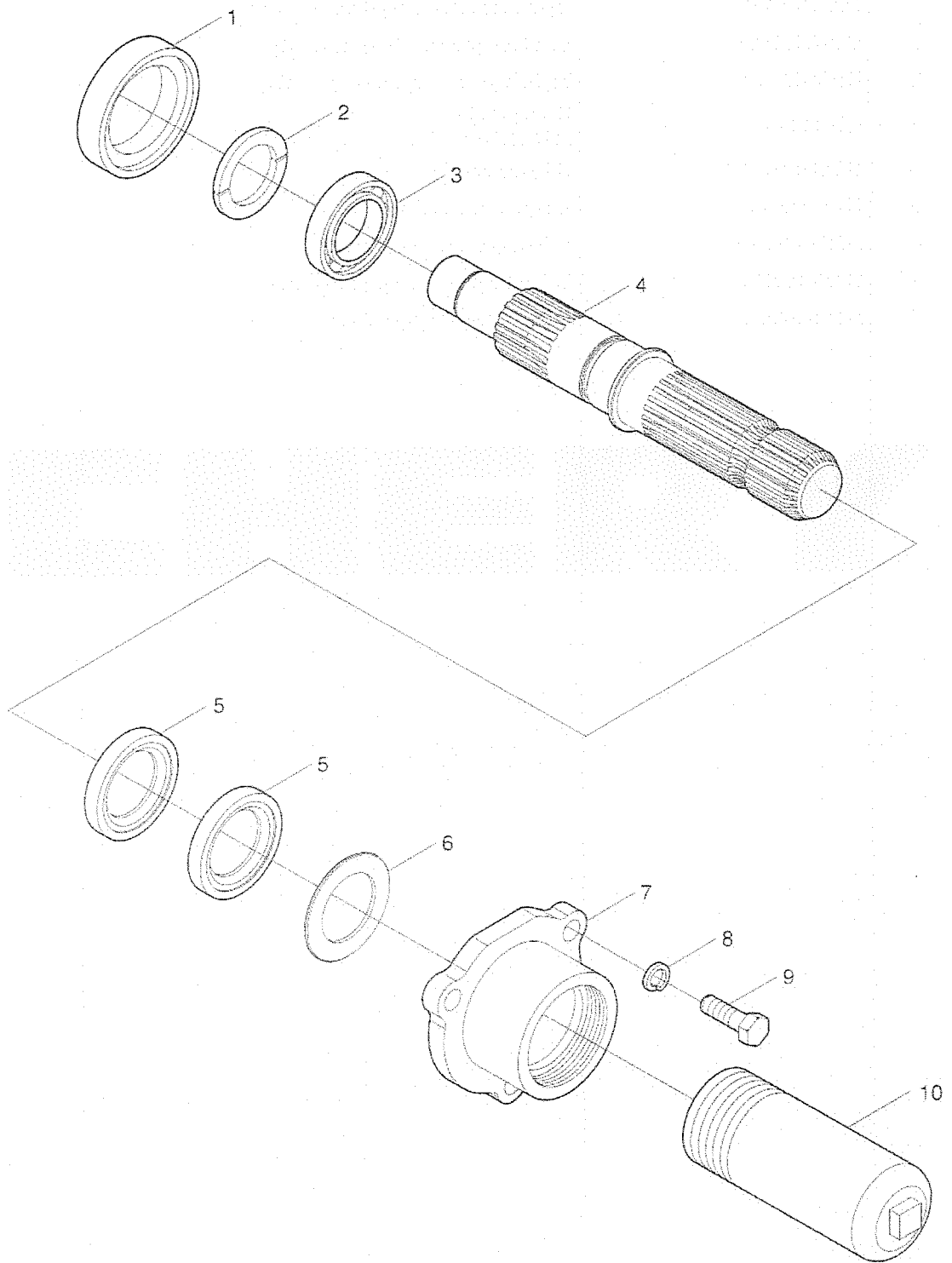


## D254.40.001 Hydraulic steering system assembly-3

S/N	Code and Specification of Part	Parts Name	Quantity	Remark
	D254.40.001	Hydraulic steering system assembly	1	
1	D254.402D.5	Left high pressure hose assembly	1	
2	D254.402D.6	Right high pressure hose assembly	1	
3	GB/T6173	Hexagon nut M16x1.5-05-A3L	2	
4	D254.402D-02	Oil pipe bracket	1	
5	JB/T 982-1977	A type combined washer 20	2	
6	D250.402A-05	Telescopic straight coupling	2	
7	D254.402D.1	Left oil output steel pipe assembly	1	
8	D254.402D.2	Right oil output pipe assembly	1	



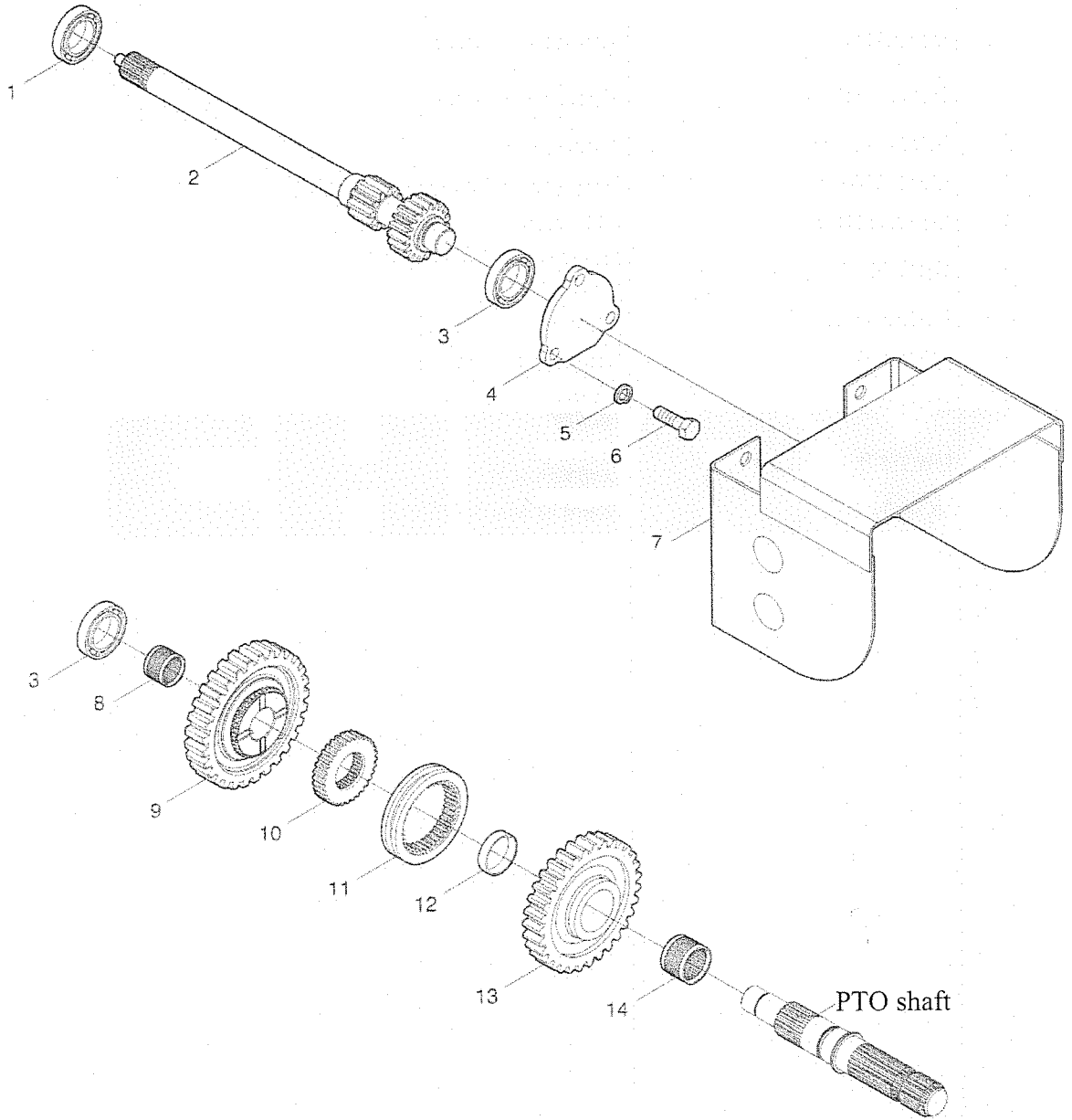
D250.411B Power Take-off Shaft Assembly



## D250.411B Power Take-off Shaft Assembly

S/N	Code and Specification of Part	Parts Name	Quantity	Remark
	D250.411B	Power take-off shaft assembly	1	
1	D250.411B-02	Thrust piece circlip	As required	
	D250.411B-03	Thrust piece circlip	As required	
	D250.411B-04	Thrust piece circlip	As required	
2	FD250.41.131	Thrust piece	1	
3	GB/T 276-1994	Deep groove ball bearing 6207	1	
4	D250.411B-01	PTO shaft	1	
5	GB/T 9877.1-1988	Frame oil seal FB35 x55x8	2	
6	FD250.41.133	Shim	1	
7	FD250.41.104	Bearing cap, PTO shaft	1	
8	GB/T393	Washer 10-A0P	3	
9	GB/T 5783	Bolt M10X25-A2L	3	
10	RC300.41E.102	Guard of head of PTO shaft	1	

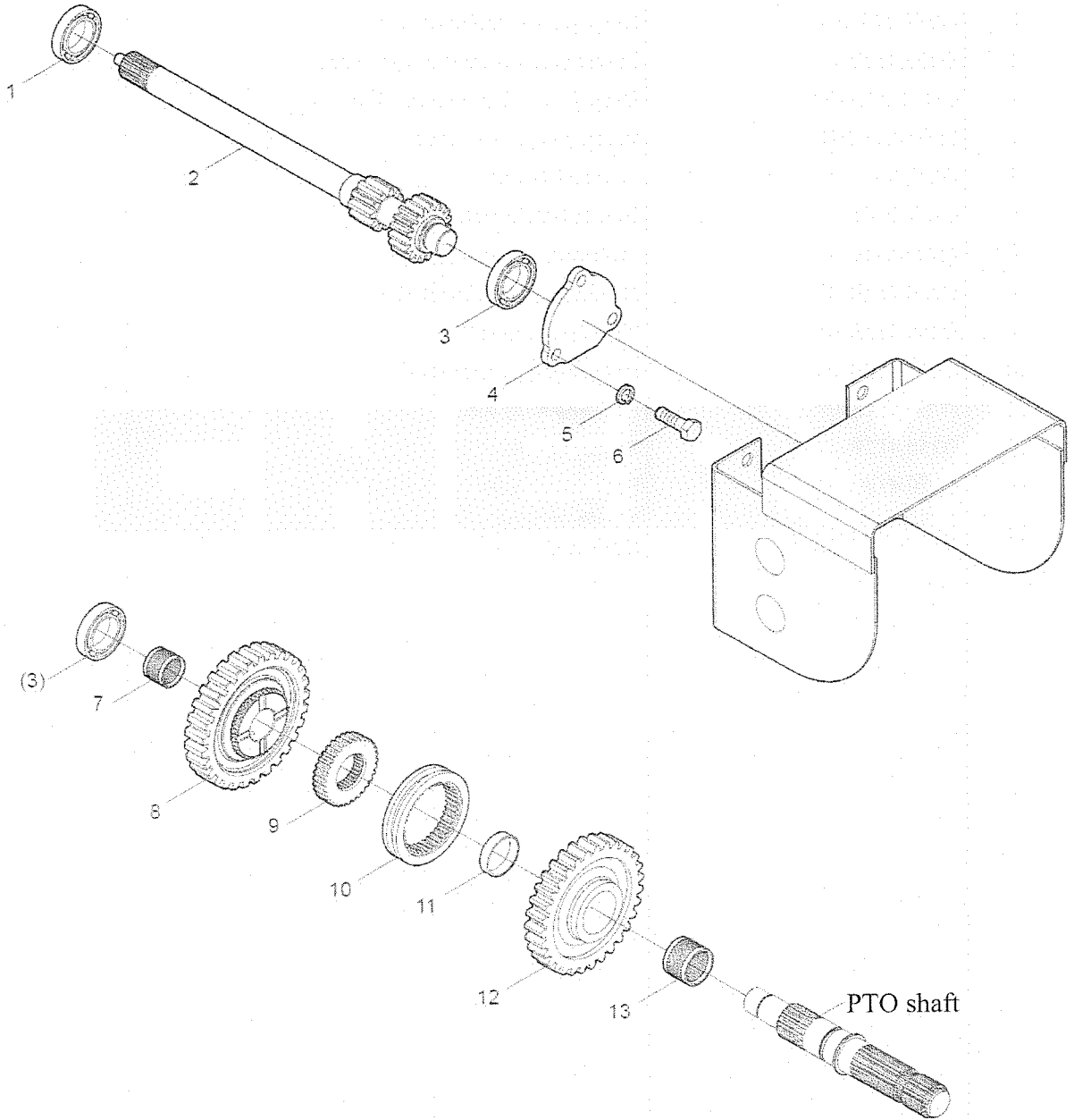
D250.412B Power Take-off Gear Assembly



## D250.412B Power Take-off Gear Assembly

S/N	Code and Specification of Part	Parts Name	Quantity	Remark
	D250.412B	Power take-off gear assembly	1	
1	GB/T 276-1994	Deep groove ball bearing 6206	1	
2	D250.412B-01	Power take-off transmission shaft	1	
3	GB /T 276-1994	Deep groove ball bearing 6305	2	
4	FD250.41.103	Bearing cap, drive shaft	1	
5	GB/T 93	Washer10-A0P	3	
6	GB/T 5783	Bolt M10X25-92L	3	
7	FD250.41C.018	Protection cover welding	1	
8	D250.412B-07	Needle bearingK26x30x28	1	
9	D250.412B-05	PTO driven gear	1	
10	D250.412B-06	PTO engaging gear seat	1	
11	D250.412B-03	PTO engaging sleeve	1	
12	D250.412B-04	Spacer sleeve	1	
13	D250.412B-02	PTO driven gear	1	
14	GB7T 7918-1997	Needle bearing K35x40x27	1	

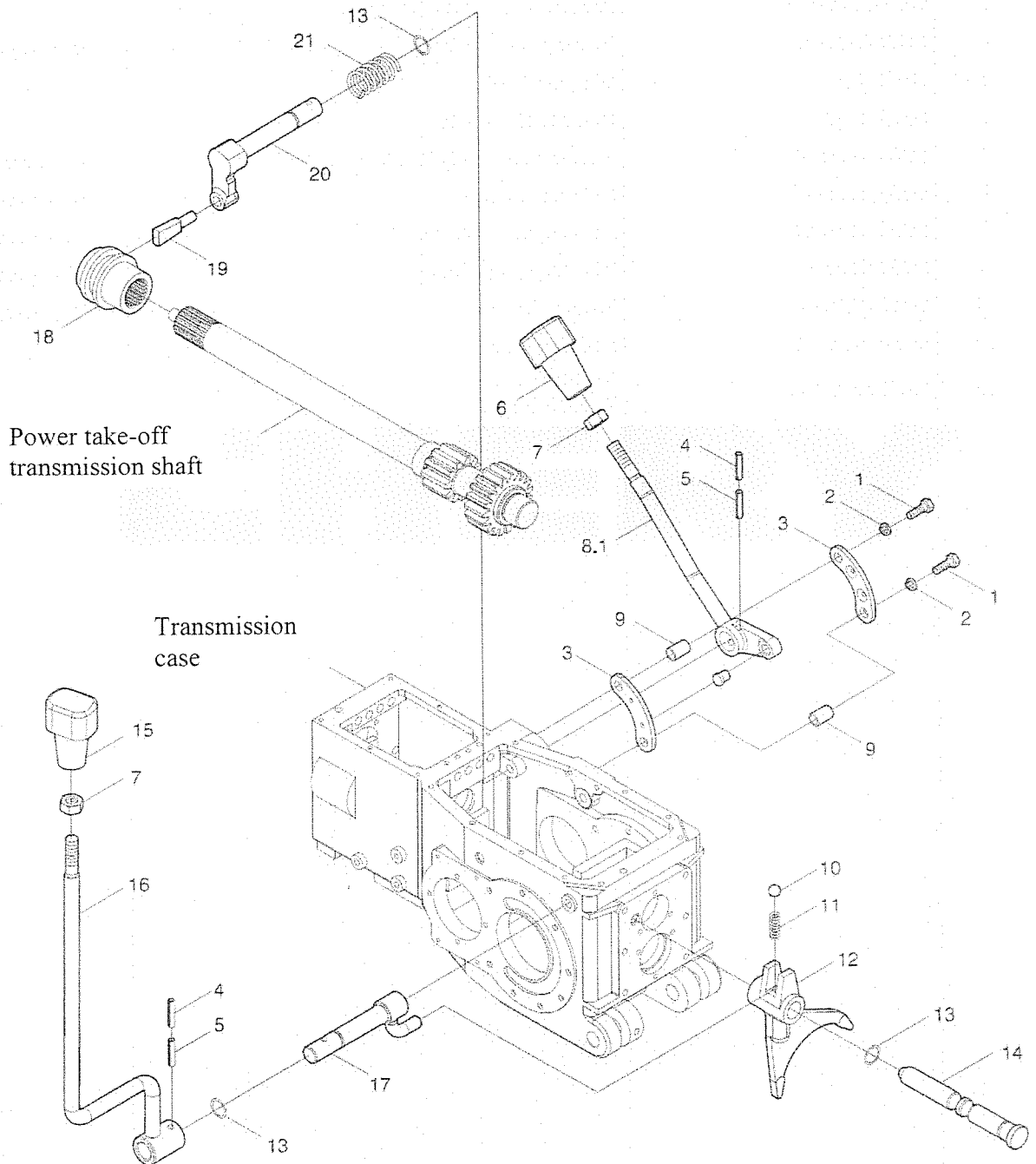
D250.412C Power Take-off Gear Assembly



## D250.412C Power Take-off Gear Assembly

S/N	Code and Specification of Part	Parts Name	Quantity	Remark
1	GB/T 276-1994	Annular ball bearing6206	1	
2	D250.412C-01	Power take-off transmission shaft	1	
3	GB /T 276-1994	Annular ball bearing6305	2	
4	FD250.41.103	Bearing cap, drive shaft	1	Borrowed
5	GB/T 93	Washer10-A0P	3	
6	GB/T 5783	Bolt M10X25-A2L	3	
7	D250.412B-07	Needle bearingK26X30X28	1	Borrowed
8	D250.412B-02	PTO driven gear	1	Borrowed
9	D250.412B-06	PTO engaging sleeve	1	Borrowed
10	D250.412B-03	PTO engaging sleeve	1	Borrowed
11	D250.412B-04	Spacer sleeve	1	Borrowed
12	D250.412C-02	PTO driven gear	1	
13	GB/T7918-1997	Needle bearing K35X40X27	1	

D250.413C Power Take-off Control Mechanism Assembly

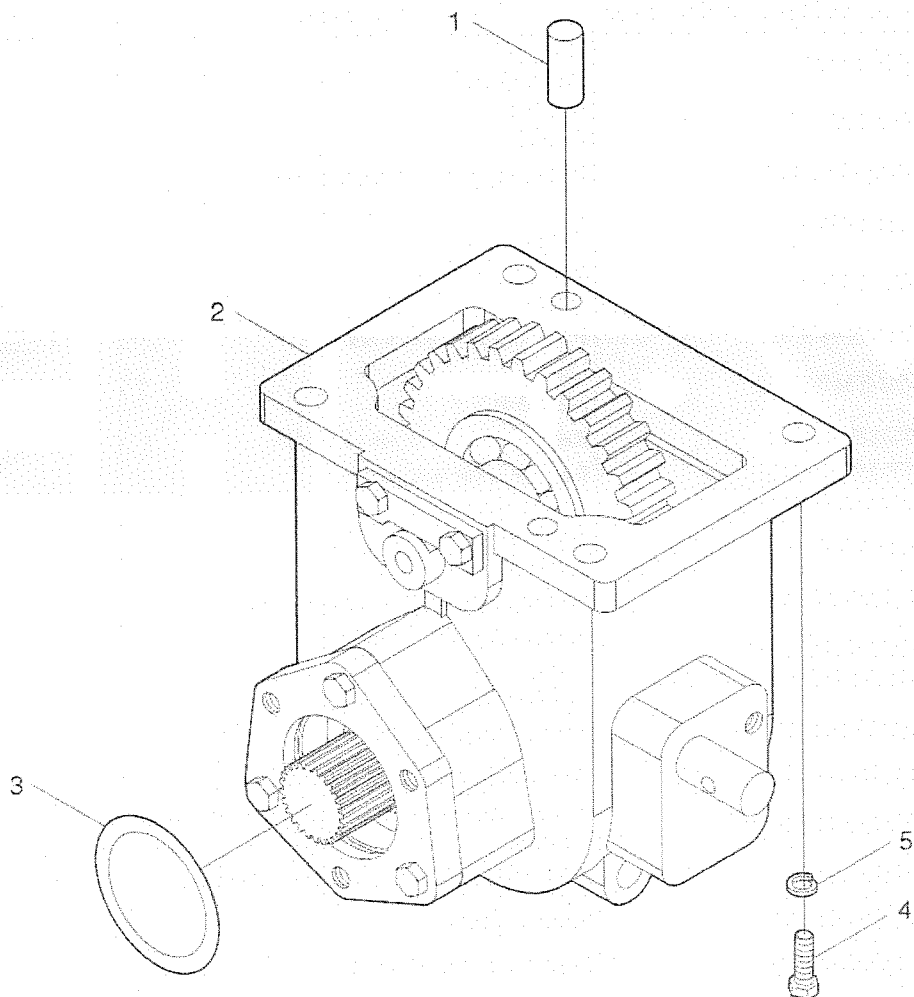


## D250.413C Power Take-off Control Mechanism Assembly

S/N	Code and Specification of Part	Parts Name	Quantity	Remark
1	GB/T5781	Bolt M8X35-A2L	2	
2	GB/T93	Washer 8-AOP	2	
3	FD250.41.112	Positioning piece of release lever	2	
4	GB/T879.1	Pin 3X24	2	
5	GB/T879.1	Pin 5X24	2	
6	RD250.41C.011	PTO release control lever	1	
7	GB/T6170	nut M10-A3L	2	
8	FD250.41.012	Release lever and pin assembly	1	
8.1	FD250.41.017	Release lever assembly	1	
9	FD250.41.111	Spacer sleeve	1	
10	GB/T308-1989	Steel ball 8.731 G200b	1	
11	FD250.37.148	Shifting fork shaft locking spring	1	
12	RD250.413C-02	Power take-off shifting fork	1	
13	GB/T3452.1	O ring 11.8X1.80G	1	
14	RD250.413C-01	PTO shifting fork shaft	1	
15	FD250.41.016	Power take-off gear shift knob	1	
16	FD250.41.014	Power take-off gear shift control lever welding	1	
17	FD250.41.013	Power take-off gear shift lever assembly	1	
18	FD250.41.101	Splined sleeve	1	
19	FD250.41.109	Fork head of PTO shaft	1	
20	FD250.41.110	Power take-off shifting fork shaft	1	
21	FD250.41.114	Spring of release lever	1	



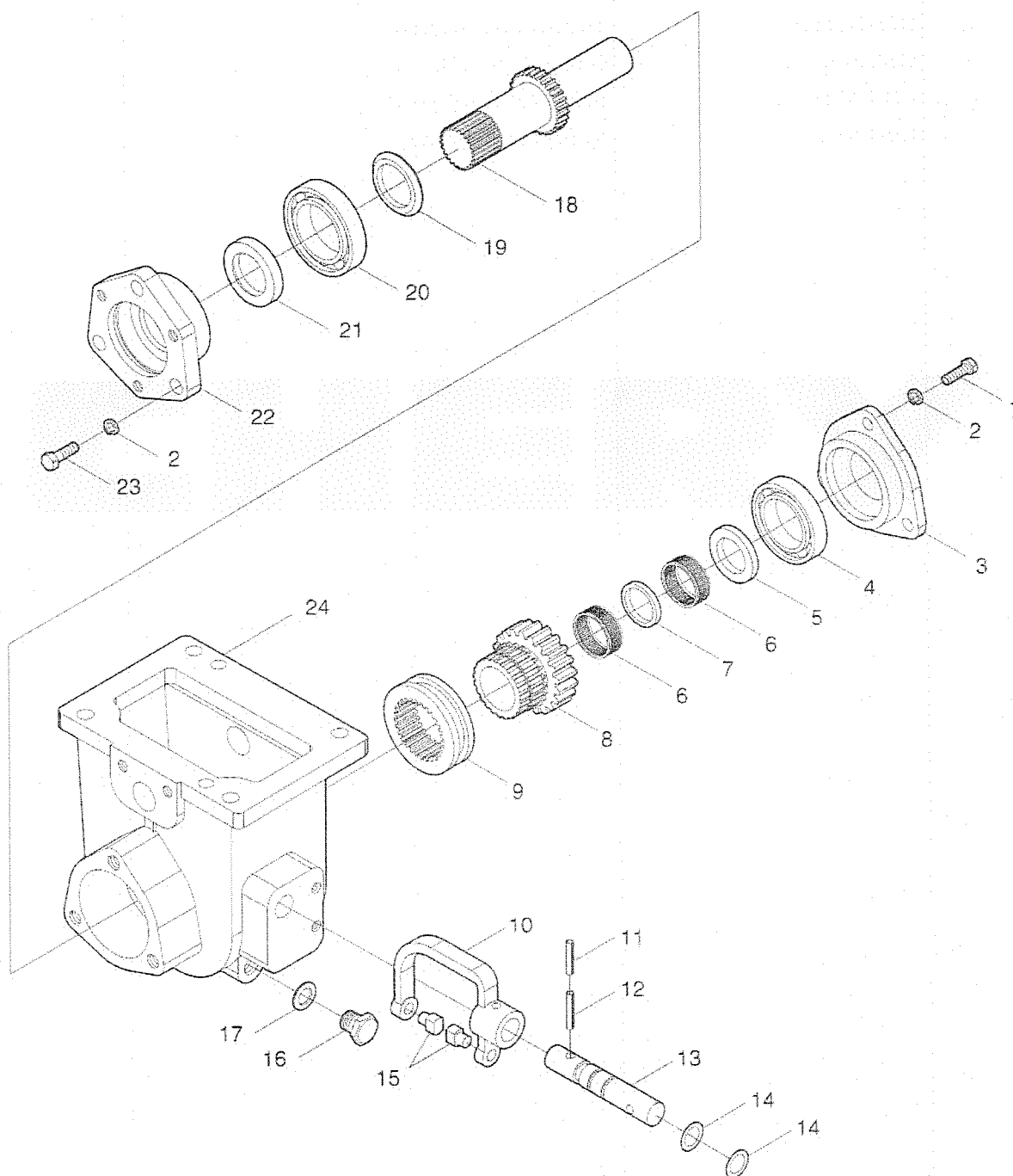
D254.421B Transfer Case Assembly-1.



## D254.421B Transfer Case Assembly-1.

S/N	Code and Specification of Part	Parts Name	Quantity	Remark
	D254.421B	Transfer case assembly	1	
1	GB/T 119.1	Pin 10m6x18-A0P	2	
2	D254.421B.1	Transfer case assembly	1	
3	GB/I 3452.1	O-ring 53.0x2.65G	1	
4	GB/T 5783	Bolt M10X30-10.9-A3L	4	
5	GB/T 93	Spring washer10-A0P	4	

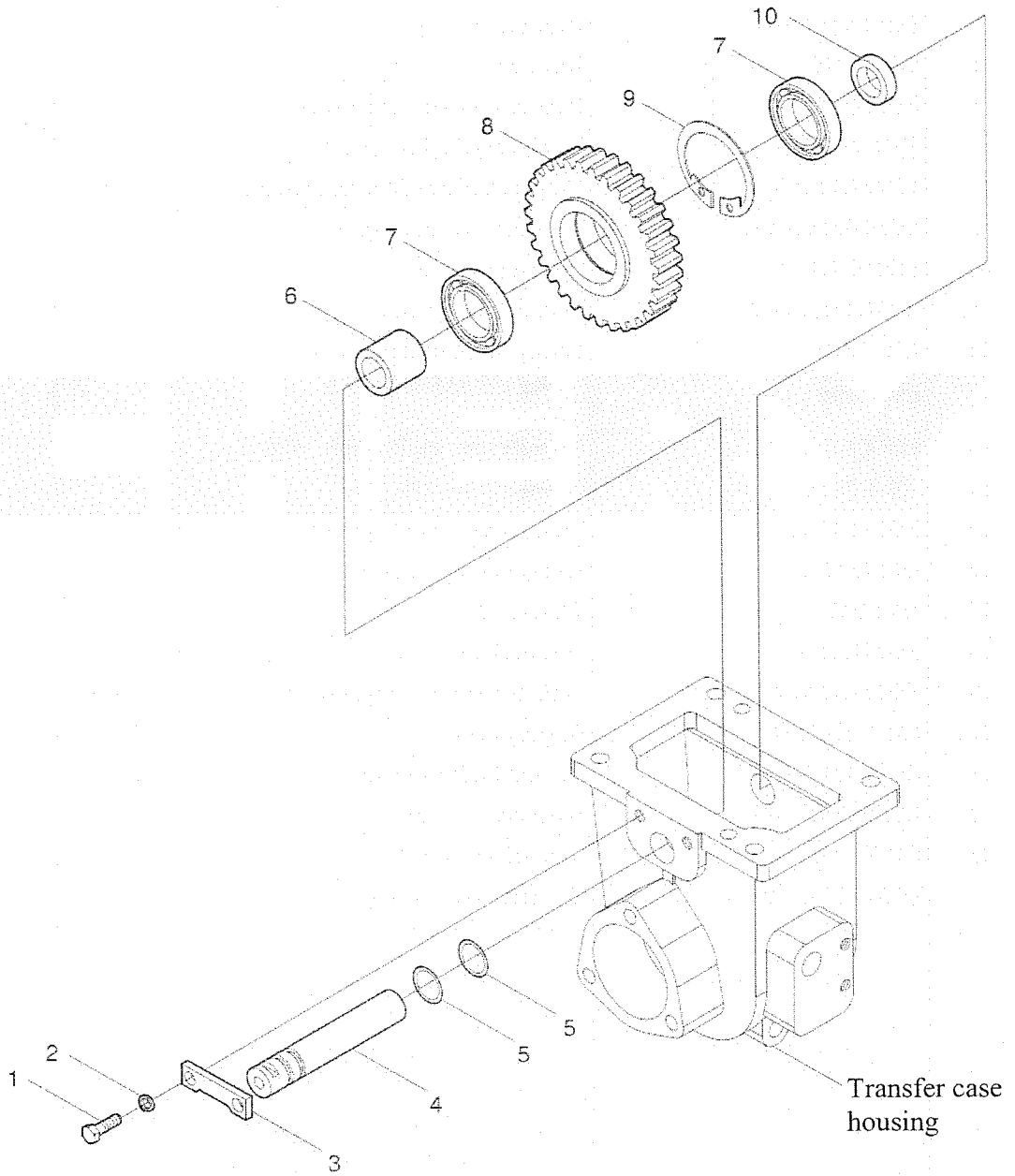
D254.421B Transfer Case Assembly-2.1.



## D254.421B Transfer Case Assembly-2.1.

S/N	Code and Specification of Part	Parts Name	Quantity	Remark
1	D254.421B D254.421B.1 GB/T 5783	Transfer case assembly	1	
		Transfer case assembly	1	
		Bolt M10X20-A3L	3	
2	GB/T 93	Spring washer10-A0P	6	
3	D254.421A.1-04	Rear bearing cap	1	
4	GB/T1276	Bearing6305	1	
5	FD254.42.107	Rear thrust ring, output shaft	1	
6	JB/T 7918	Needle bearingK25x31x20	2	
7	FD254.42.108	Output shaft needle bearing spacer	1	
8	D254.421B.1-01:	Transfer case driven gear	1	
9	FD254.42F.103	Engaging sleeve	1	
10	D254.421A.1-02	Fork of transfer case	1	
11	GB/T 879.1	Spring cylindrical pin6x24	1	
12	GB/T 879.1	Spring cylindrical pin 3.5x24	1	
13	D254.421A.1-03	Transfer case shifting fork shaft	1	
14	GB/T 3452.1	O-ring 12.5x1.80G	2	
15	FD254.42.121	Transfer case shifting block	2	
16	Q617B12	Hexagon screw plug	1	
17	JB/T 982	Washer 12	1	
18	FD254.42.102	Output shaft	1	
19	FD254.42.109	Front thrust ring, output shaft	1	
20	GB/T 276-1994	Bearing 6206	1	
21	D254.421.1.1	Oil seal FB30x45 x8B	1	
22	D254.421A.1-09	Front bearing cap	1	
23	GB/T 5783	Bolt M10X30-A3L	3	
24	D254.421A.1-01	Transfer case housing	1	

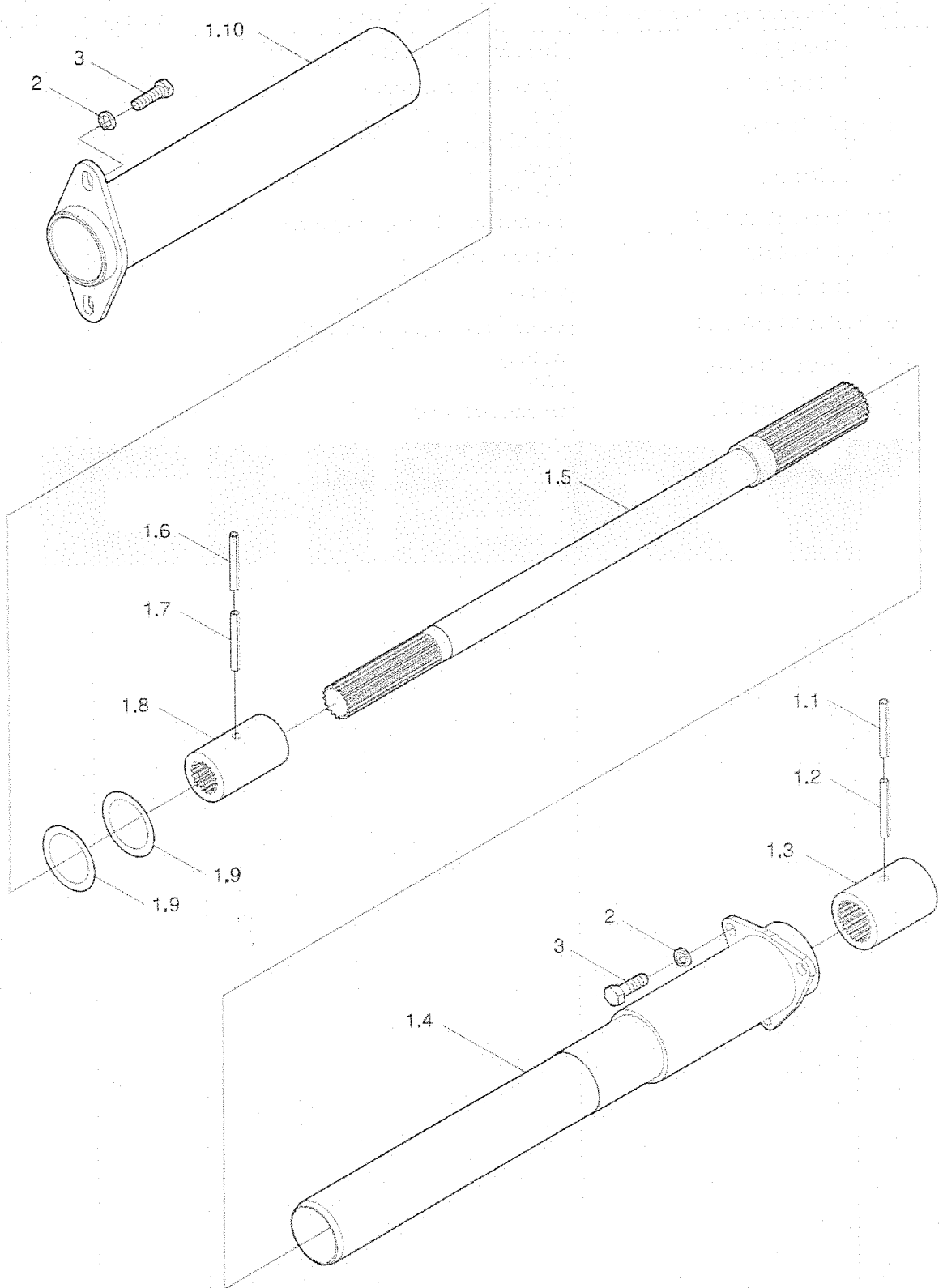
D254.421B Transfer Case Assembly-2.2.



## D254.421B Transfer Case Assembly-2.2.

S/N	Code and Specification of Part	Parts Name	Quantity	Remark
	D254.421B	Transfer case assembly	1	
	D254.421B.1	Transfer case assembly	1	
1	GB/T 5783	Bolt M10X20-A3L		
2	GB/T 93	Spring washer 10-A0P		
3	D254.421A.1-07	Intermediate shaft locating plate	1	
4	D254.421A.1-05	Counter shaft	1	
5	GB/T 345.2	O-ring		
6	D254.421A.1-11	Large thrust ring, counter shaft	1	
7	GB/T 276-1994	Bearing 6204		
8	D254.42B.1-02	Intermediate gear	1	
9	GB/T 893.1	Circlip for hole 47	1	
10	D254.421A.1-10	Small thrust ring, counter shaft	1	

D254.422A Transfer Case Driving Shaft Assembly

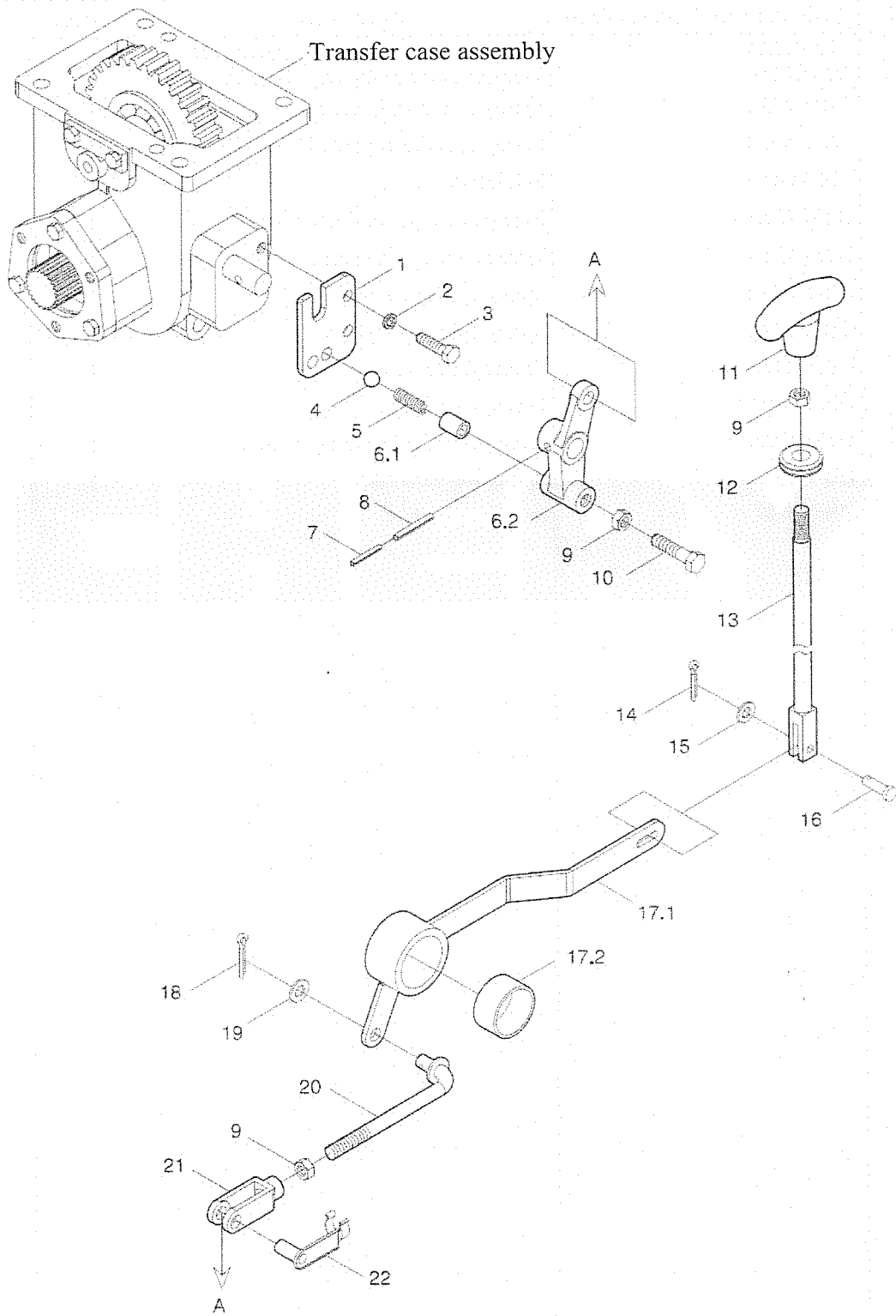


## D254.422A Transfer Case Driving Shaft Assembly

S/N	Code and Specification of Part	Parts Name	Quantity	Remark
1	D254.422A	Transfer case transmission shaft assembly	1	
	D254.422A.1	Transfer case driving shaft installation	1	
1.1	GB/T 879.1	Spring cylindrical pin3.5x40	1	
1.2	GB/T 879.1	Spring cylindrical pin6x40	1	
1.3	FD254.42.113	Splined sleeve	1	
1.4	D254.422A.1.2	Rear guard pipe welding-on unit	1	
1.5	D254.422A.1-02	Transfer case transmission shaft	1	
1.6	GB/T 879.1	Spring cylindrical pin3.5x35	1	
1.7	GB/T 879.1	Spring cylindrical pin6x35	1	
1.8	FD254.42F.120	Front splined hub	1	
1.9	GB/T 3452.1	O-ring 45.0x3.55G	2	
1.10	D254.422A.1.1	Front guard pipe welding-on unit	1	
2	GB/T 93	Spring washer8-A0P	5	
3	GB/T 5781	Bolt M8X16-A2L	5	



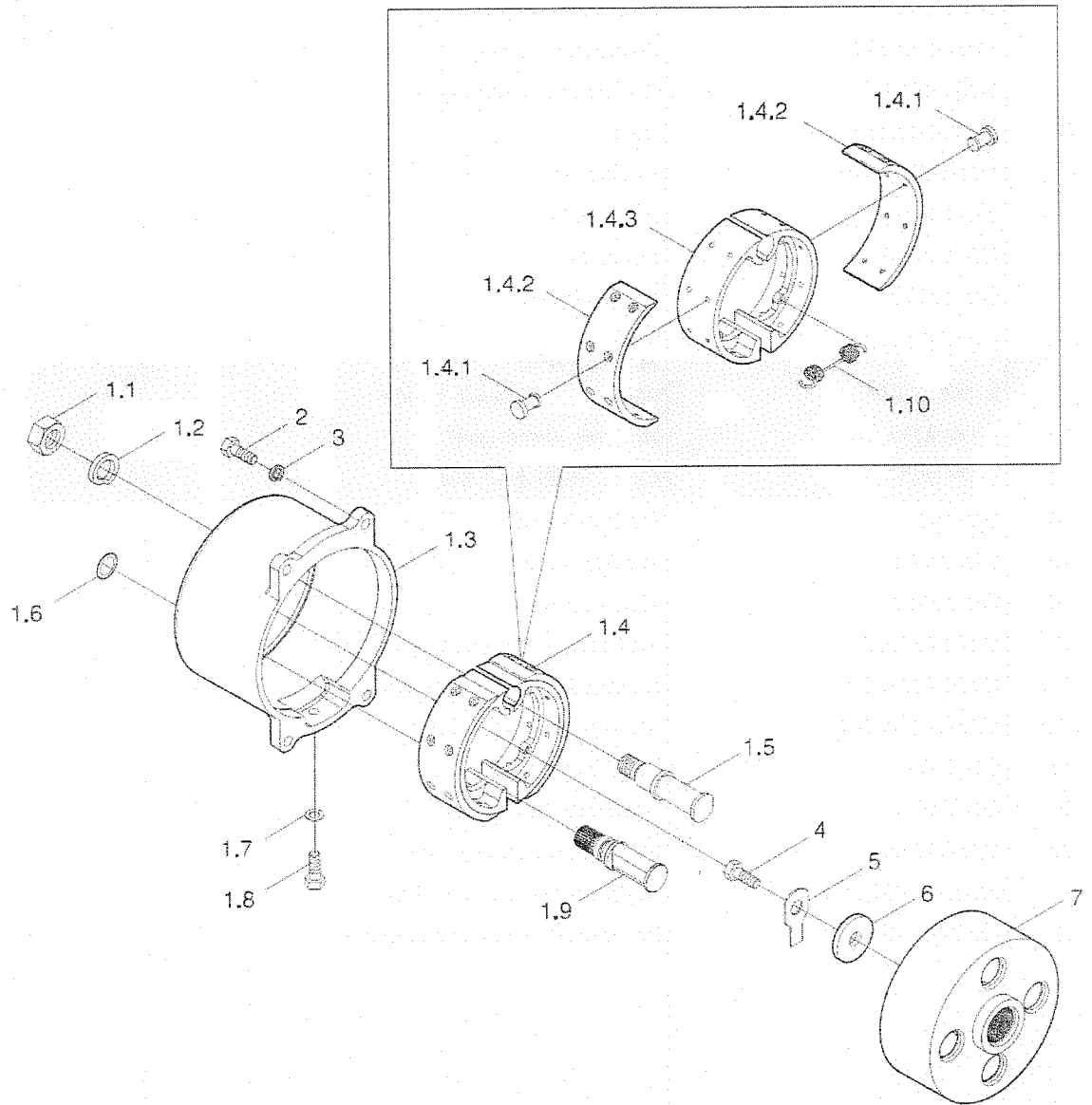
D254.423A Transfer Case Control Mechanism Assembly



## D254.423A Transfer Case Control Mechanism Assembly

S/N	Code and Specification of Part	Parts Name	Quantity	Remark
	D254.423A	Transfer case control mechanism assembly	1	
1	D254.423A-05	Positioning plate	1	
2	GB/T 93	Washer8-A0P		
3	GB/T 5783	Bolt M8x20-A2L		
4	GB/T 308	Steel ball 8-G100-b	1	
5	FD304.42.124	Positioning spring	1	
6	D254.423A.1	Rocker arm assembly	1	
6.1	FD304.42.135	Bush	1	
6.2	D254.423A.1-01	Rocker arm	1	
7	GB/T 879.1	Pin 3.5x24	1	
8	GB/T 879.1	Pin 6x24	1	
9	GB/T6170	Nut M10-A3L		
10	GB/T35783	Bolt M10x25-A3L	1	
11	RC65.38.051	Pulling and pressing handle	1	
12	D254.423A-01	Braiding rubber ring	1	
13	D254.423A.3	Lever welding-on unit	1	
14	GB/T91	Pin 2.0x20-A0P	1	
15	GB/T 97.1	Washer 6-A0P	1	
16	GB/T3882	Axis pinB6x22	1	
17	D254.423A.2	Mid-rocker arm welding-on unit	1	
17.1	D254.423A.2.1	Intermediate rocker arm welding	1	
17.2	D254.423A.2-02	Mid-rocker arm bushing	1	
18	GB/T391	Pin 3.2x20-A0P	1	
19	GB/T 97.1	washer10-A0P	1	
20	D254.423A.4	Mid-link welding-on unit	1	
21	FD800A.43B.116	Right screwing fork of link	1	
22	FD800A.43B.011	Positioning pin and rivet unit	1	

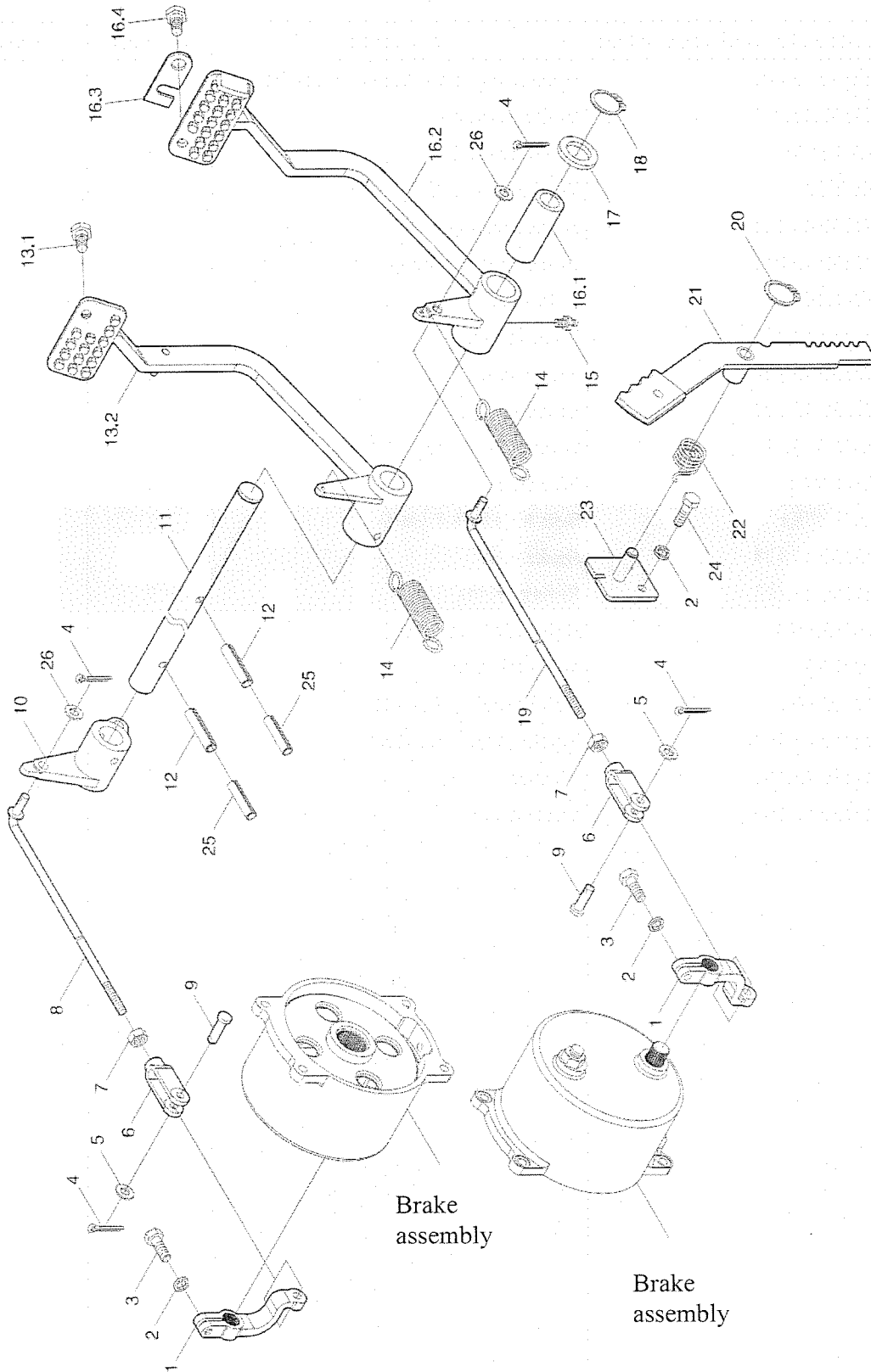
FD250.43.001 Brake Control Mechanism Assembly-1



## FD250.43.001 Brake Control Mechanism Assembly-1

S/N	Code and Specification of Part	Parts Name	Quantity	Remark
	FD250.43.001	Brake control mechanism assembly	1	
1	FD250.43.011	Brake assembly	2	
1.1	GB/T6170	Nut M16-Zn.D	1	
1.2	GB/T 93	Washer 16-Zn.D	1	
1.3	FD250.43.121	Brake housing	1	
1.4	FD250.43.012	Brake shoe assembly	1	
1.4.1	GB/T 109	Rivet4x13	16	
1.4.2	FD250.43.129	Friction lining	2	
1.4.3	FD250.43.128	Brake shoe	1	
1.5	FD250.43.122	Brake axis pin	1	
1.6	GB/T 3452.1	O ring 15x2.65G	1	
1.7	GB/T 97.1	Washer 8	1	
1.8	GB/T 5783	Bolt M8x16-8.8-Zn.D	1	
1.9	FD250.43.124	Brake cam	1	
1.10	FD250.43.123	Return spring	2	
2	GB/T25783	Bolt M8X25-8.8-A2L	4	
3	GB/T 93	Washer8-A0P	4	
4	GB/T25783	Bolt M12X30-8.8-A3L	2	
5	FD250.43.104a	Single shackle washer	2	
6	FD250.43.101	Washer	2	
7	FD250.43.105	Brake drum	2	

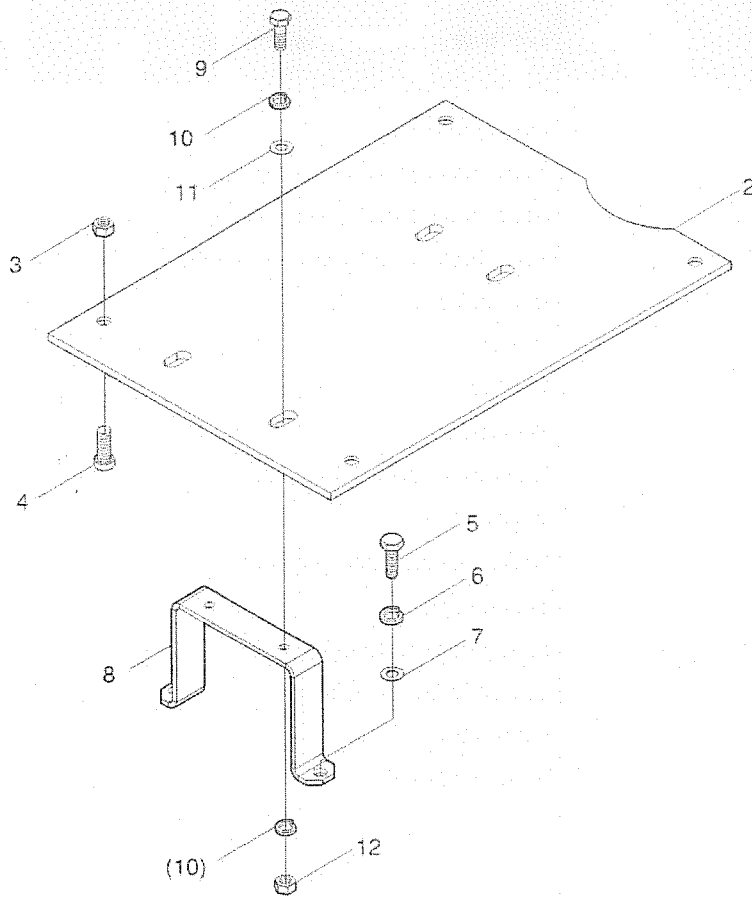
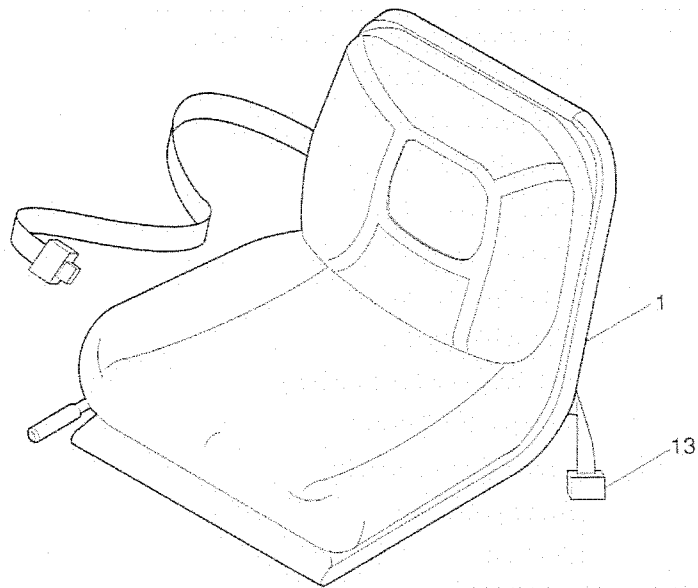
FD250.43.001 Brake Control Mechanism Assembly-2



## FD250.43.001 Brake Control Mechanism Assembly-2

S/N	Code and Specification of Part	Parts Name	Quantity	Remark
	FD250.43.001	Brake control mechanism assembly	1	
1	FD250.43.102	Brake rocker arm	2	
2	GB/T 93	Washer8-A0P	8	
3	GB/T 5783	Bolt M8X25-8.8-A2L	6	
4	GB/T291	Pin 3.2X16-A0P	4	
5	GB/T 97.1	Washer 8-A0P	2	
6	RC804.42.123	Front fork of link	2	
7	GB/T6170	Nut M10-8-A3L	2	
8	D250.433.3	Left brake pull rod welding	1	
9	GB/T 882	Axis pin B8X30-A0P	2	
10	D250.433-02	Left brake rocker shaft	1	
11	D250.433-01	Brake pedal shaft	1	
12	GB/T 879.1	Pin 8x40		
13	D250.433.1	Left brake pedal assembly	1	
13.1	FD65.43.132	Screw	1	
13.2	D250.433.1.1	Left brake pedal welding-on unit	1	
14	FD200.21.101	Return spring, clutch pedal		
15	JB/T 7940.1	Oil cupM10x1	1	
16	D250.433.4	Right brake pedal assembly	1	
16.1	D250.433.2-02	Right brake pedal cover housing	1	
16.2	D250.433.4.1	Right brake pedal welding-on unit	1	
16.3	FD65.43.130	Interlock plate	1	
16.4	FD65.43.132	Screw	1	
17	FD250.43.112	Washer	1	
18	GB/T 894.1	Washer25	1	
19	D250.433.5	Right brake pull rod welding	1	
20	GB/T 894.1	Washer 12	1	
21	FD250.43.015	Brake locking plate assembly	1	
22	FD250.43.157	Torsion spring	1	
23	FD250.43.025	Fixing plate welding-on unit	1	
24	GB/T25783	Bolt M8X20-8.8-A2L	2	
25	GB/T 879.1	Pin 5x40	2	
26	GB/T 97.1	Washer 12-A0P	2	

D250.44C Seat Installation Assembly

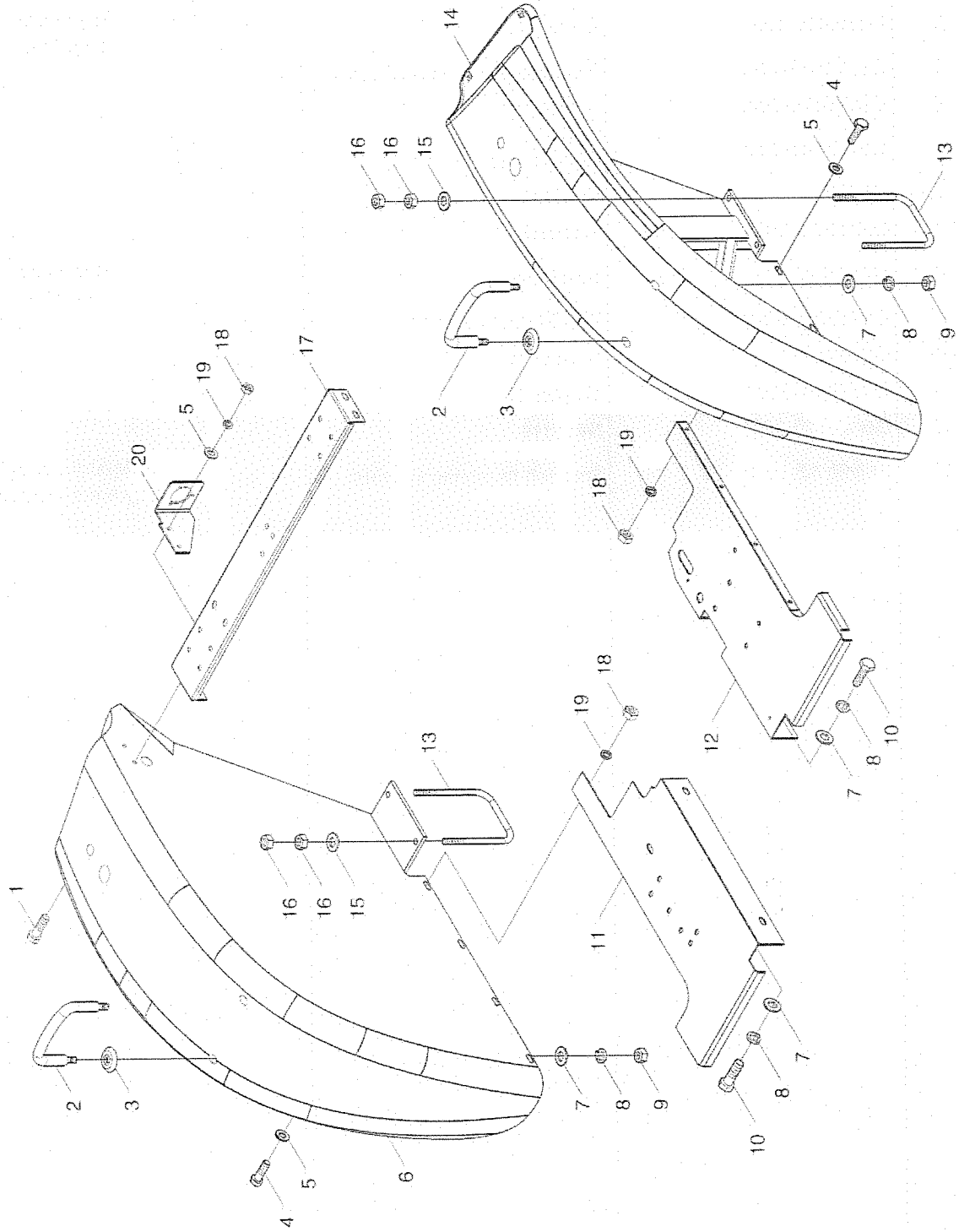


## D250.44C Seat Installation Assembly

S/N	Code and Specification of Part	Parts Name	Quantity	Remark
1	D250.44C.011	Driver's seat assembly	1	
2	D250.44C.103	Cover plate	1	Steel plate 5/Q235A
3	GB/T2673-1986	Hexagon socket slotted screw	4	
4	GB/T6170-2000	nutM8	4	
5	GB/T5781-2000	Bolt M8x25-A3L	4	
6	GB/T93	Washer8	4	
7	GB/T97.1-2000	Washer8	4	
8	D250.44C.105	Seat bracket	1	Steel plate 4/Q235A
9	GB/T5781-2000	Bolt M10x30-A3L	2	
10	GB/T93	Washer 10	2	
11	GB/T97.1-2002	Washer 10	4	
12	GB/T6170-2000	Nut M10	2	
13	RC800.62C.010	Seat belt mounting assembly	1	Special for Ningbo Songyuan Certification



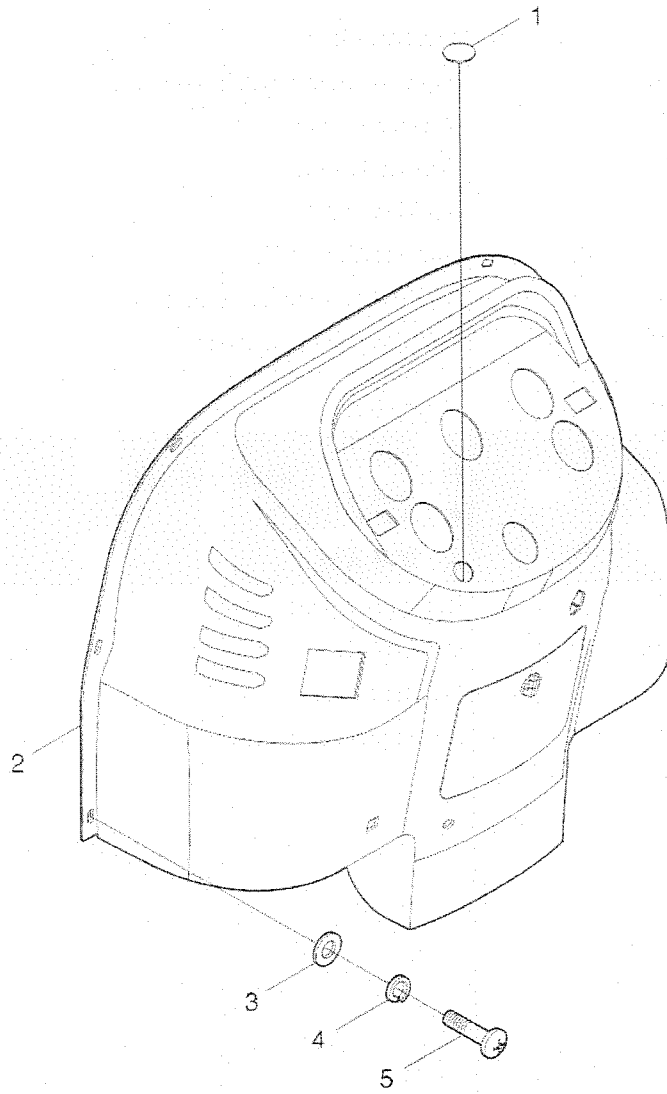
D250.45C.001 Floor and Mudguard Assembly-1



## D250.45C.001 Floor And Mudguard Assembly-1

S/N	Code and Specification of Part	Parts Name	Quantity	Remark
	D250.45C.001	Floor and mudguard assembly	1	
1	GB/T5783-2000	Bolt M8X25-A3L	8	
2	D250.45.163	Armrest	2	
3	D250.45.045	Armrest washer unit	4	
4	GB/T5781-2000	Bolt M8X20-A3L	8	
			16	
5	GB/T93-1987	Washer8-A0P		
6	D250.45C.036	Right mudguard welding-on unit	1	
7	GB/T93-1987	Washer10-A0P	8	
8	GB/T93-1987	Washer 10-A0P	8	
9	GB/T93-1987	nut M10-A2L	4	
10	GB/T93-1987	Bolt M10X25-A3L	4	
11	D250.45C.030	Right floor welding-on unit	1	
12	D250.45C.020	Left floor welding-on unit	1	
13	D250.45C.129	U type bolt	4	Cold-drawn round steel 13-14/45
14	D250.45C.035	Left mudguard welding-on unit	1	
15	GB/T93-1987	Washer 14-A0P	8	
16	GB/T93-1987	nut M14-A2L	16	
17	D250.45B.103	Reinforced plate	1	
18	GB/T6170-2000	nut M8-A2L	16	
19	GB/T93-1987	Washer 8-A0P	16	
20	D250.45A.104	Fixing plate of socket	1	

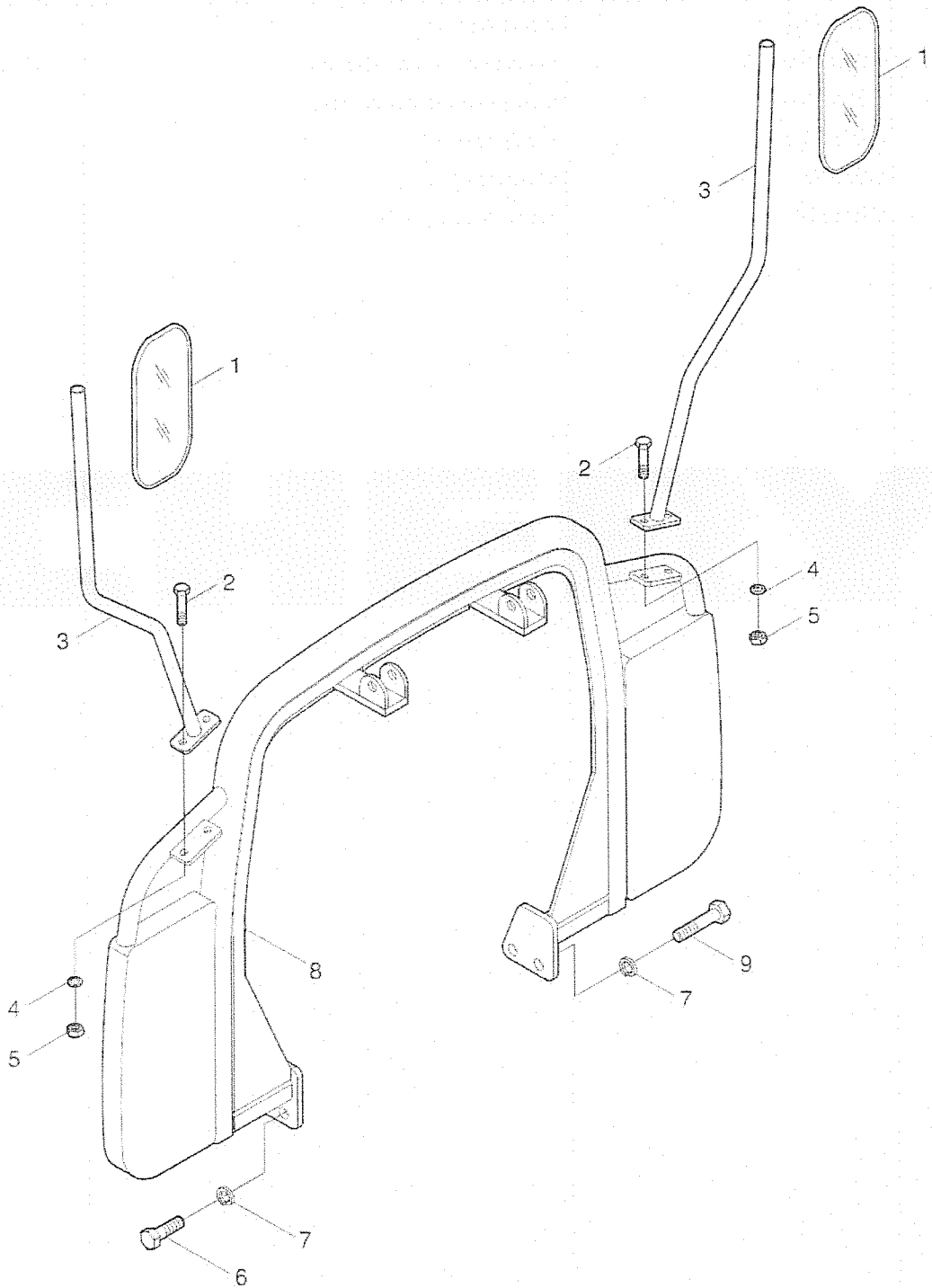
D250.45C.001 Floor and Mudguard Assembly-2



## D250.45C.001 Floor and Mudguard Assembly-2

S/N	Code and Specification of Part	Parts Name	Quantity	Remark
1	D250.45.230	Blanking cap	1	
2	D250.45.012A	Instrument board assembly	1	Certification
	D250.45.012	Instrument board assembly	1	
3	GB/T 97.1	Washer5-A0P	6	
4	GB/T 93	Washer5-A0P	6	
5	GB/T818	Screw M5x10-A2L	8	

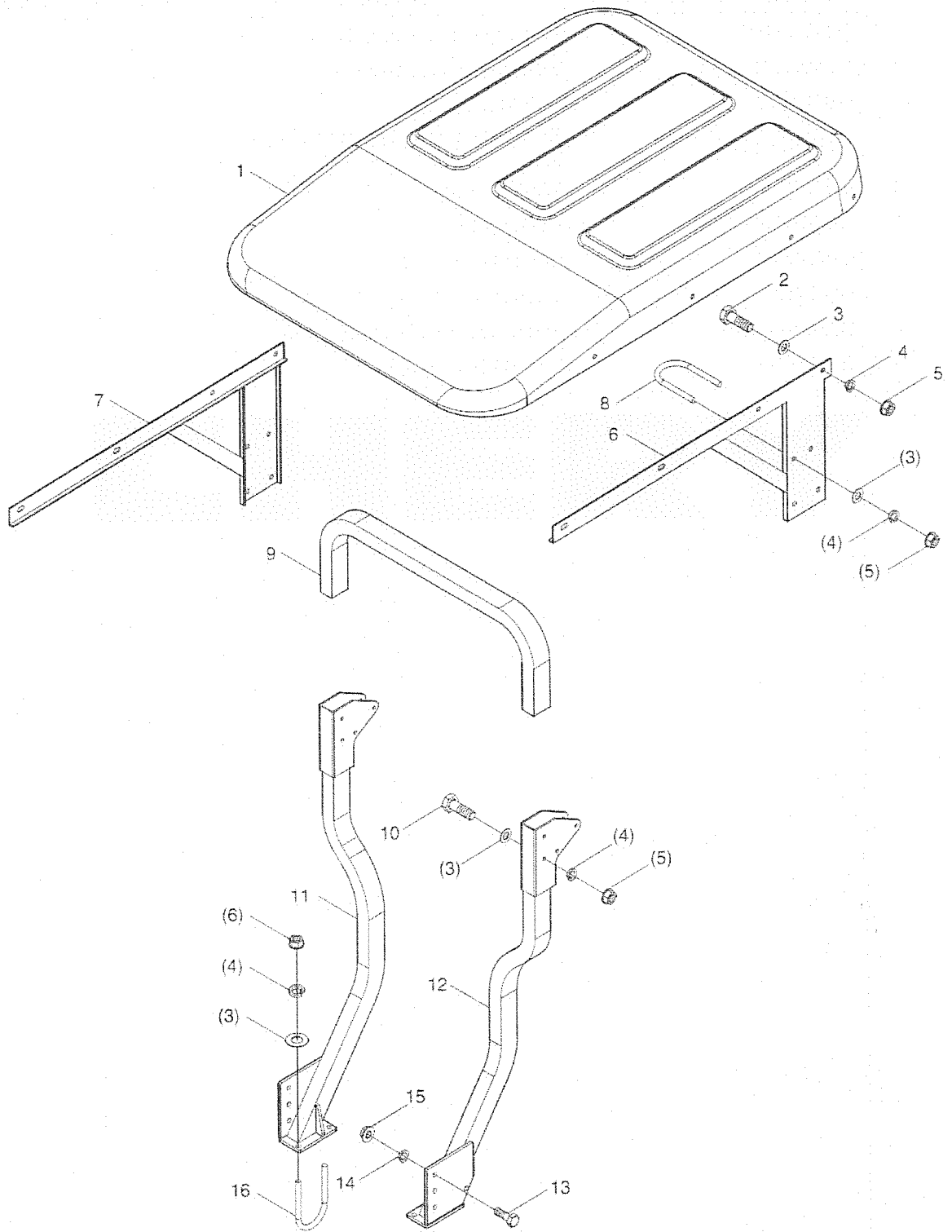
D250.45C.001 Floor and Mudguard Assembly-3



## D250.45C.001 Floor and Mudguard Assembly-3

S/N	Code and Specification of Part	Parts Name	Quantity	Remark
	D250.45.001	Portal-type frame installation assembly	1	
1	RC800.473.031A	Rear view mirror assembly	2	
2	GB/T 5783	Bolt M8X25-A2L	4	
3	D550.45P.036	Rear view mirror support welding-on unit	2	
4	GB/T 93	Washer8-A0P	4	
5	GB/T6170	NutM8-A2L	4	
6	GB/T45783	Bolt M14X35-A3L	2	
7	GB/T493	Washer14-A0P	4	
8	D250.45.011B	Portal-type frame welding-on unit	1	
9	GB/T 5783	Bolt M14x60-A3L	2	

D250.46C.001 Safety Frame Assembly

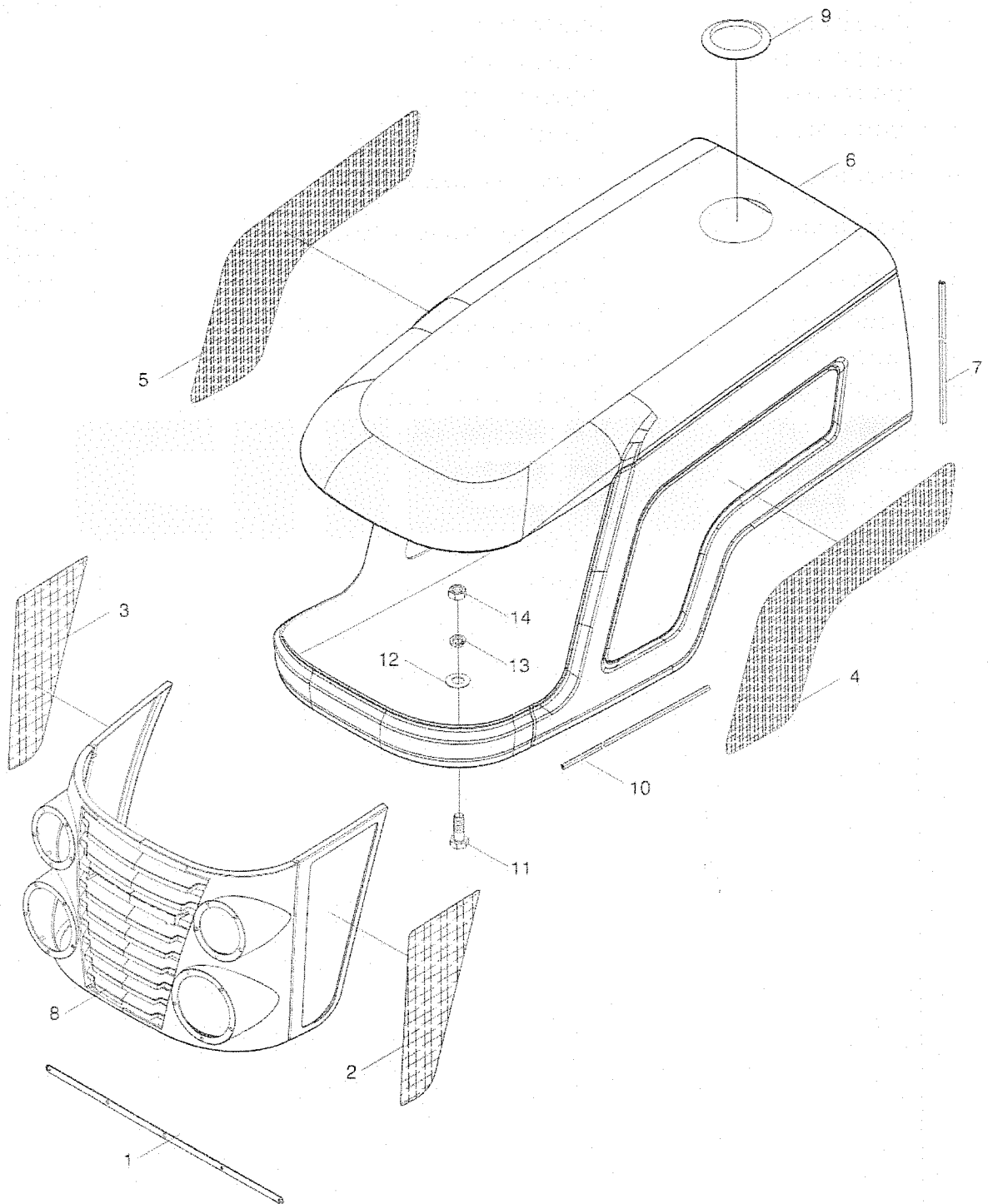


## D250.46C.001 Safety Frame Assembly

S/N	Code and Specification of Part	Parts Name	Quantity	Remark
1	D304.46.012	Ceiling	1	Optional (borrowed)
2	GB/T5783-2000	Bolt M12X30-A3L	8	
3	GB/T97.1-2002	Washer12-90P	40	
4	GB/T93-1987	Washer12-A0P	26	
5	GB/T6170-2000	Nut M12-A3L	26	
6	D304.46.015	Ceiling left bracket welding	1	Optional (borrowed)
7	D304.46.016	Ceiling right bracket welding	1	Optional (borrowed)
8	D300.46.117	U type bolt	4	Optional (borrowed)
9	D250.46.012	Safety frame upper section welding	1	
10	GB/T5782-2000	Bolt M12X90-A3L	6	
11	D250.46C.014	Right lower pillar welding	1	
12	D250.46C.013	Left lower pillar welding	1	
13	GB/T5783-2000	Bolt M14X50-A3L	8	
14	GB/T93-1987	Washer 14-A0P	8	
15	GB/T6170-2000	Nut M14-A3L	8	
16	D250.46C.131	U type bolt	2	Borrowed



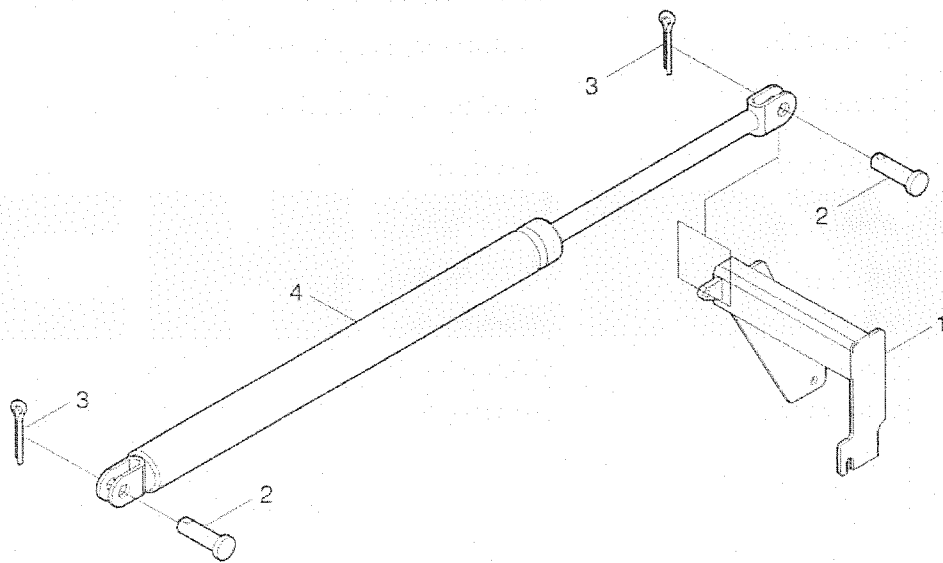
D250.47C.001 Engine Hood Installing Assembly-1



## D250.47C.001 Engine hood Installing Assembly-1

S/N	Code and Specification of Part	Parts Name	Quantity	Remark
1	D250.47B.129	Horn mounting frame	1	Borrowed
2	D250.47X.020	Left mesh plate assembly behind lamp	1	Borrowed, no drawing
3	D250.47X.021	Right mesh plate assembly behind lamp	1	Borrowed, no drawing
4	D250.47.133	Left mesh plate	1	Borrowed, no drawing
5	D250.47.134	Right mesh plate	1	Borrowed, no drawing
6	D250.47C.012	Hood welding part	1	
7	D250.47.230	Sealed strip, engine hood	1	Borrowed, no drawing
8	D250.47X.015	Hood front grille assembly	1	Borrowed, no drawing
9	D250.47.215	Rubber ring	1	Borrowed, no drawing
10	D250.47.231	Hood sealing strip 2	1	Borrowed, no drawing
11	GB/T818	Screw M5X16-A3L	26	
12	GB/T 97.1	Washer5-70P	26	
13	GB/T 93	Washer5-A0P	26	
14	GB/T 6170	nutM5-A2L	26	

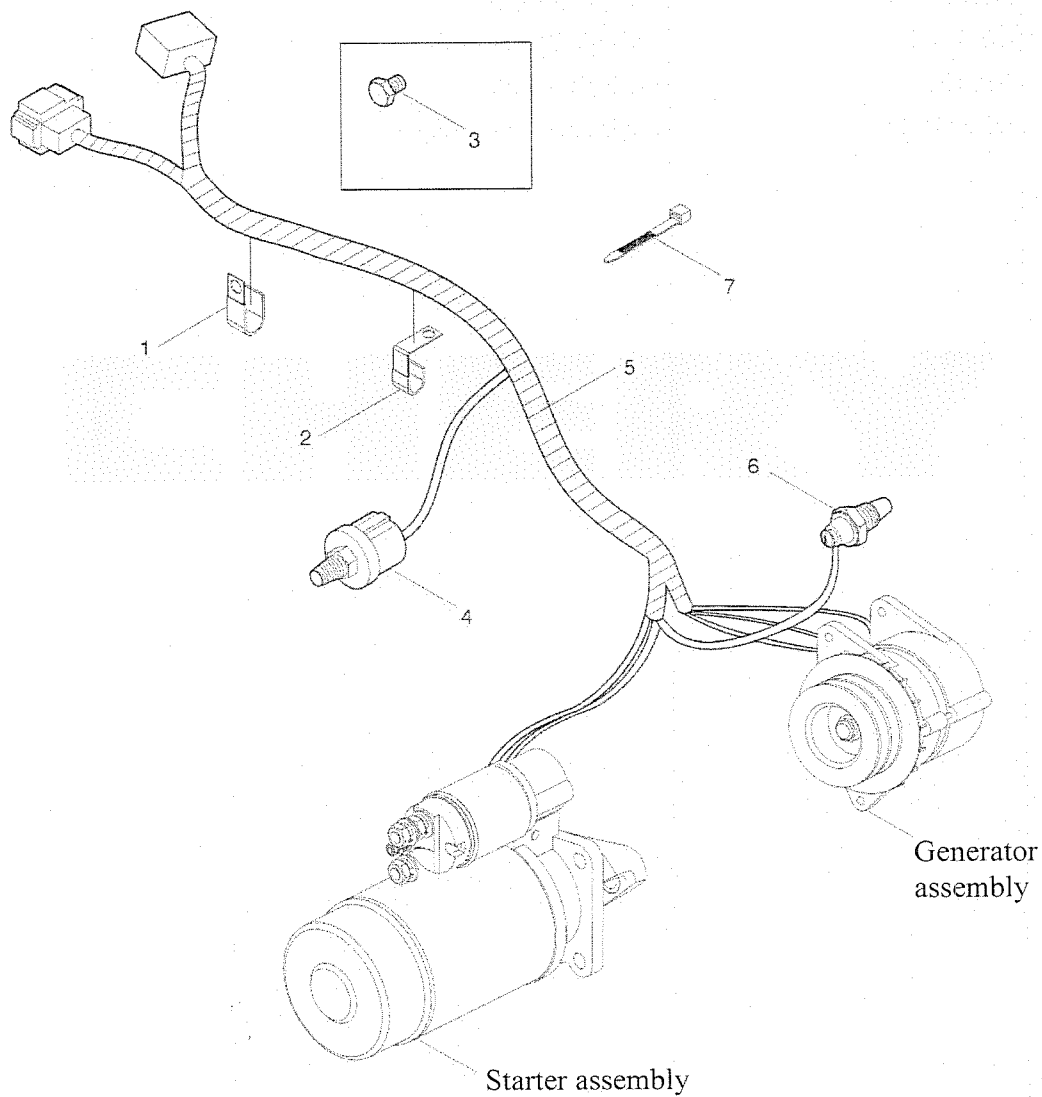
D250.47C.001.Engine Hood Installing Assembly-2



## D250.47C.001.Engine Hood Installing Assembly-2

S/N	Code and Specification of Part	Parts Name	Quantity	Remark
	D250.47C.001	Engine hood air spring installing assembly	1	
1	D250.47C.020	Air spring support	1	
2	GB/T 882	Axis pin B8X20-A0P	2	
3	GB/T91	Pin 3.2X16-A0P	2	
4	D250.47.200	Engine hood air spring	1	

D250.48C.001 Electrical Equipment Installation Drawing-1



## D250.48C.001 Electrical Equipment Installation Drawing-1

S/N	Code and Specification of Part	Parts Name	Quantity	Remark
	D250.481	Wiring harness of engine assembly	1	
1	FD65.48.095	Wiring harness clip (1)	1	
2	FD300.48.105	Wiring harness clip (3)		
3	Q617B16	Hexagon screw plug	1	
4	FD250.48.036	Engine oil pressure sensor	1	
5	D250.481A.1	Engine wire harness assembly	1	
6	D250.481.2	Coolant sensor	1	
7	Q67407300	Plastic tightening belt	1	

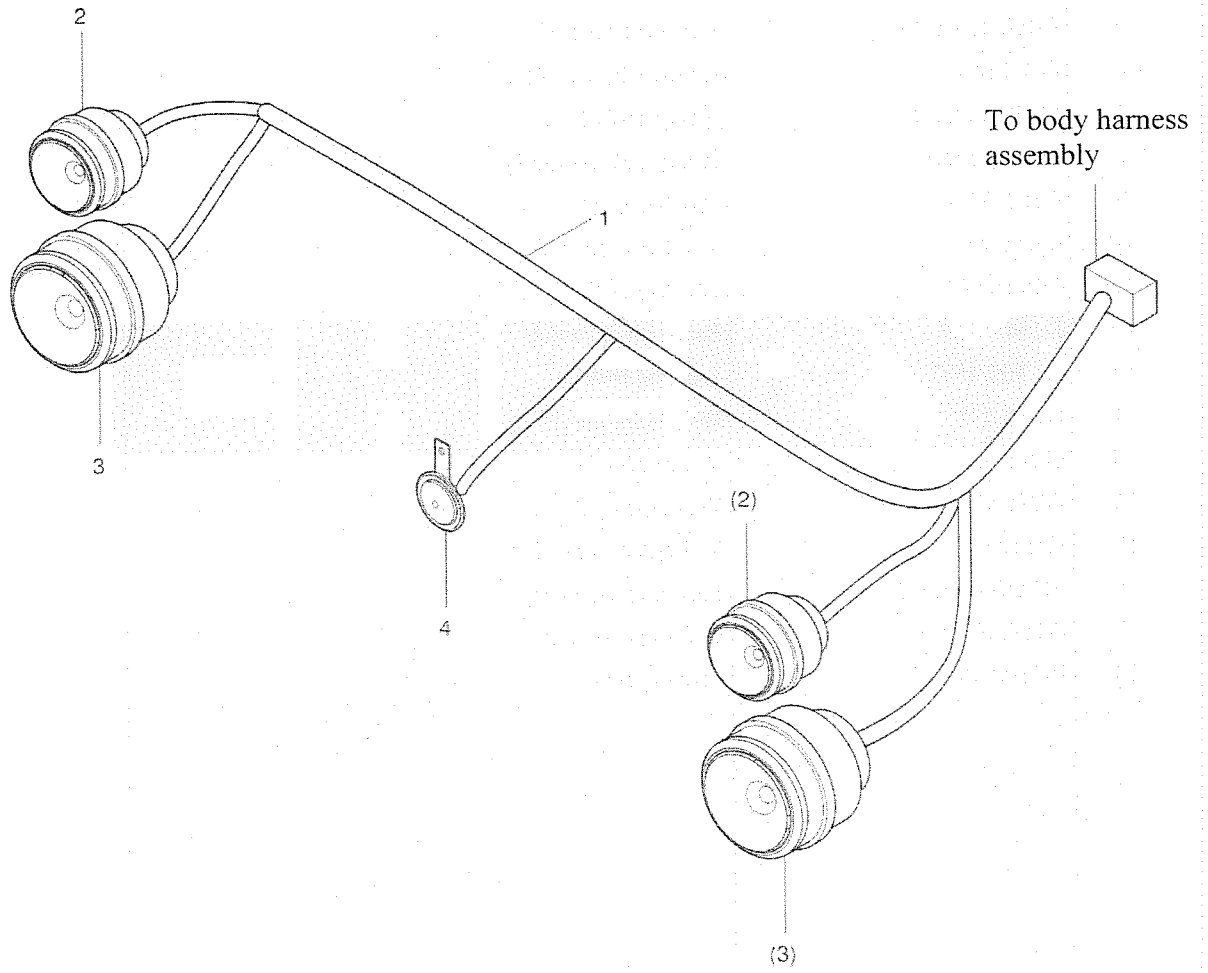


## D250.48C.001 Electrical Equipment Installation Drawing-2

S/N	Code and Specification of Part	Parts Name	Quantity	Remark
1	D250.48C.1	Body wire harness	1	
2	.67405100	Plastic tightening belt	2	
3	GB/T 818	Screw M4X10-A2L	5	
4	GB/T 93	Washer4-A0P	5	
5	D400.484A.2	Oil level sensor	1	
6	GB/T818	Screw M6x25-A2L	4	
7	D250.482A-02	Relay box cover	1	
8	D250.482A.2	Relay box assembly	1	
9	GB/T 97.1	Washer 6-A0P	4	
10	GB/T 93	Washer 6-A0P	4	
11	GB/T6170	Nut M6-A2L	3	
12	D354.482.5	Right plate switch	1	
13	RC800.48.031	Ignition lock	1	
14	GB/T 5783	Bolt M5x20-A2L	2	
15	GB/T 93	Washer5-A0P	2	
16	GB/T 97.1	Washer 5-A0P	2	
17	JET141	Voltage regulator	1	
18	FD250.48E.042	Fuse box assembly	1	
19	D354.482.4	Left plate switch	1	
20	RC300.48.055	Starting relay	1	



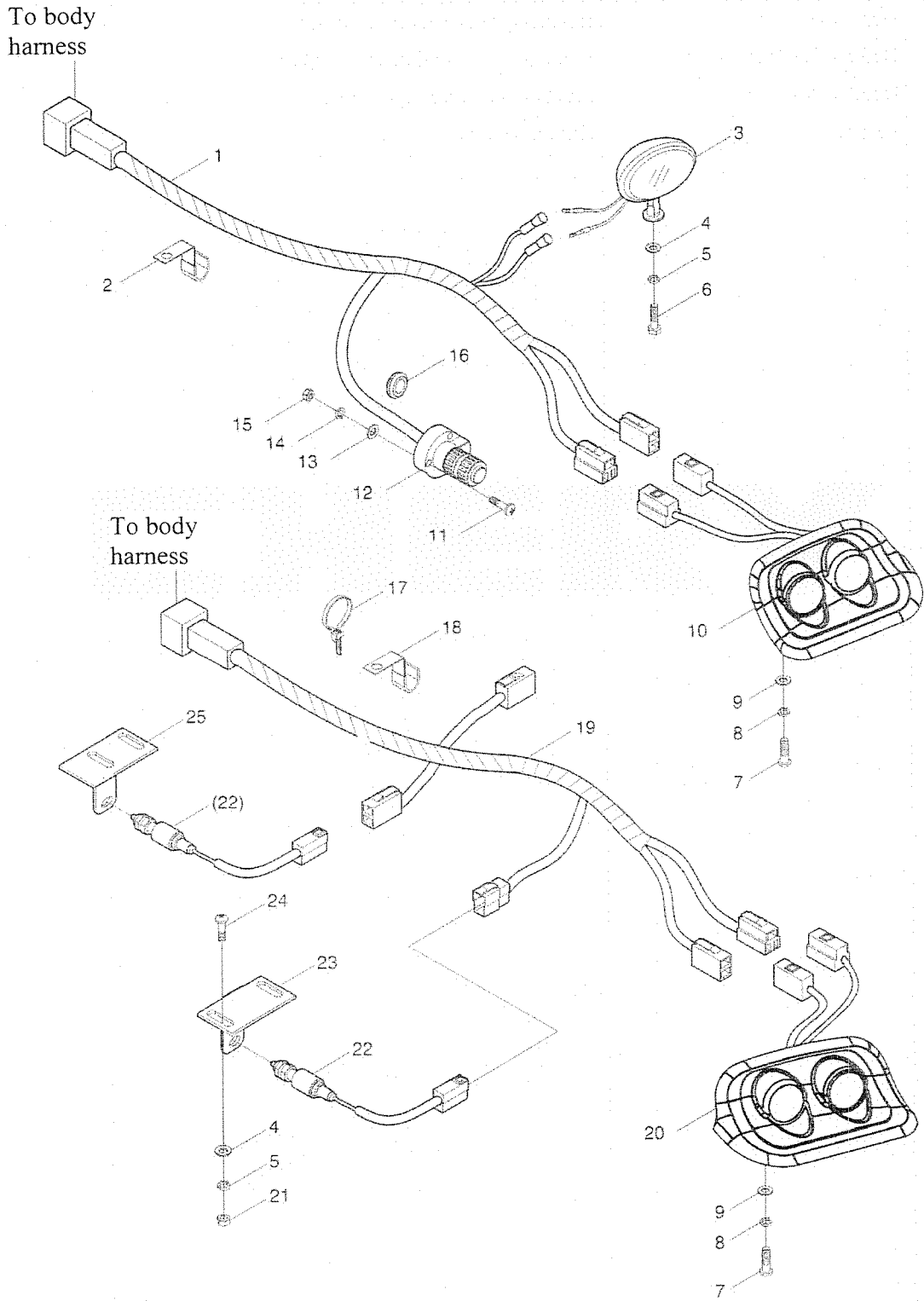
D250.48C.001 Electrical Equipment Installation Drawing-3



## D250.48C.001 Electrical Equipment Installation Drawing-3

S/N	Code and Specification of Part	Parts Name	Quantity	Remark
1	D250.483.1-1A	Headlamp wire harness assembly	1	
2	D250.47X.015.1	Front direction indicator assembly	1	
3	D250.47X.015.2	Front combination light assembly	1	
4	DL128	Horn assembly	1	

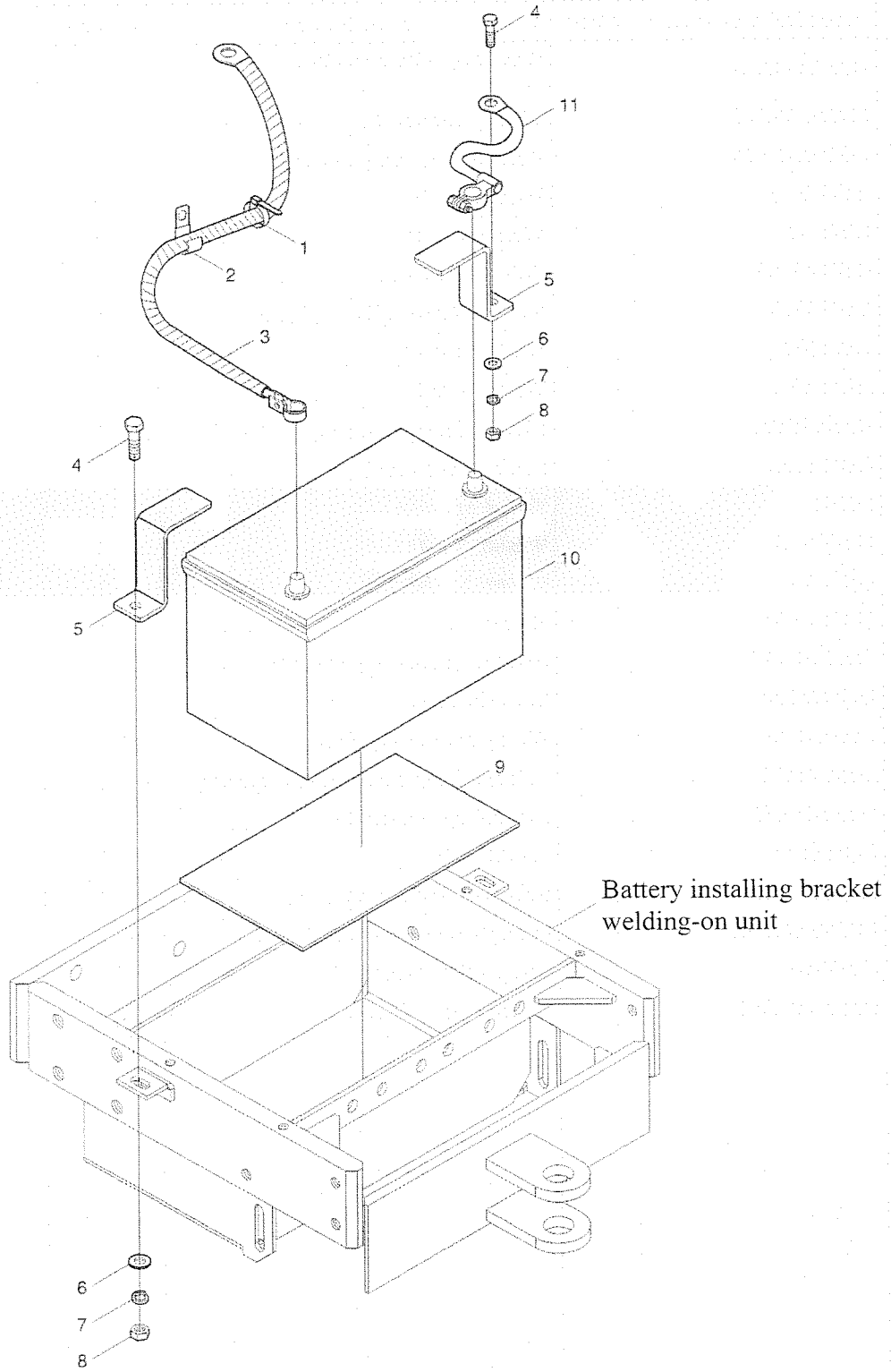
D250.48C.001 Electrical Equipment Installation Drawing-4



## D250.48C.001 Electrical Equipment Installation Drawing-4

S/N	Code and Specification of Part	Parts Name	Quantity	Remark
1	D250.484A.1-1	Rear lamp wire assembly	1	
2	FD250.48.101	Wiring harness clip	1	
3	FD250.48.025	Rear working lamp assembly	1	
4	GB/T 97.1	Washer8-A0P	3	
5	GB/T 93	Washer8-A0P	3	
6	GB/T45783	Bolt M8X16-A2L	1	
7	GB/T4818	Screw M6x16-A2L	8	
8	GB/T493	Washer 6-A0P	8	
9	GB/T 97.1	Washer6-A0P	8	
10	D250.48.053	Right tail lamp assembly	1	
11	GB/T819.1	Screw M5x35-A1L	3	
12	DJ101	Socket of trailer	1	
13	GB/T 97.1	Washer 5-A0P	3	
14	GB/T 93	Washer 5-A0P	3	
15	GB/T 6170	NutM5-A2L	3	
16	FD65.48.093	Braiding rubber ring (1)	1	
17	Q67405100	Loose bandage	1	
18	FD65.48.095	Wiring harness clip (1)	3	
19	D250.48C.2	Left rear lamp wire harness assembly	1	
20	D250.48.052	Left tail light assembly	1	
21	GB/T6170	nut M8-A2L	2	
22	FD300.48.033	Switch of brake lamp	2	
23	FD250.48.134a	Fixing support of brake switch	1	
24	GB/T468	Screw M8X20-A2L	2	
25	D250.48C.063	Safety switch bracket	1	

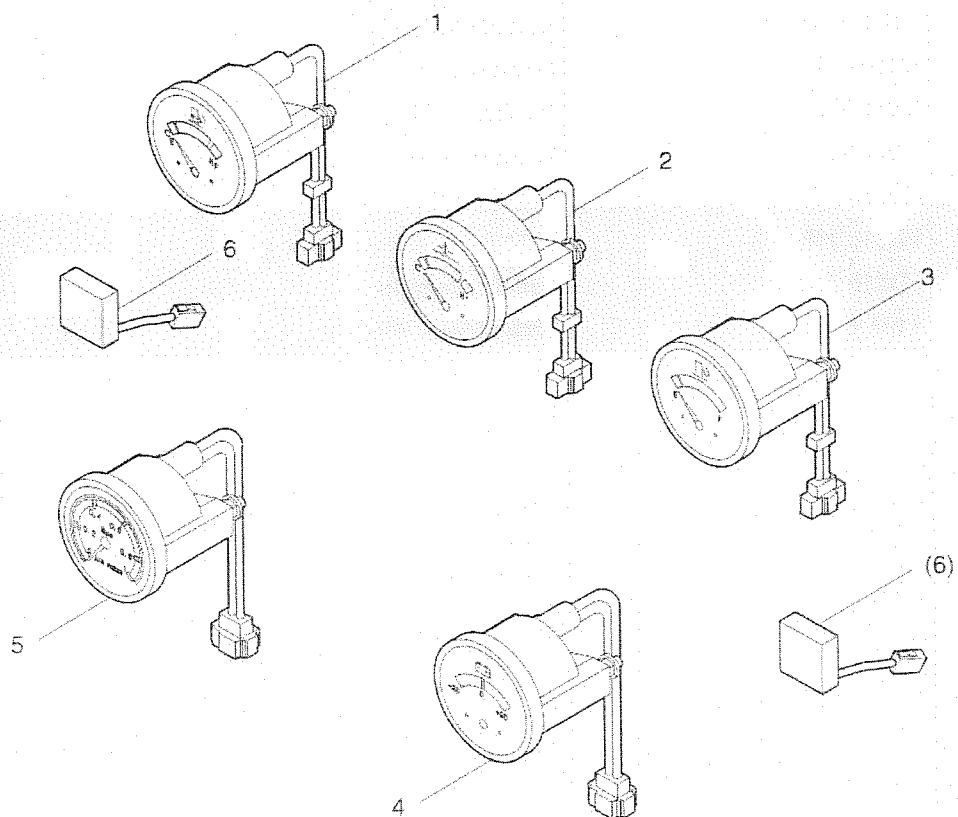
D250.48C.001 Electrical Equipment Installation Drawing-5



## D250.48C.001 Electrical Equipment Installation Drawing-5

S/N	Code and Specification of Part	Parts Name	Quantity	Remark
	D250.485	Battery installing assembly	1	
1	Q67405100	Plastic tightening belt	1	
2	FD65.48.095	Wiring harness clip (1)	1	
3	FD250.48.027	Positive cable assembly	1	
4	GB/T 5783	Bolt M8X25-A2L	2	
5	D250.485A-01	Pressure plate	2	
6	GB/T 97.1	Washer8-A0P	2	
7	GB/T 93	Washer8-A0P	2	
8	GB/T6170	NutM8-A2L	2	
9	FD250.24B.103	Rubber	1	
10	FD250.24B.010	Battery assembly	1	
11	1204.485.4	Series power line (II)	1	

D250.48C.001 Electrical Equipment Installation Drawing-6

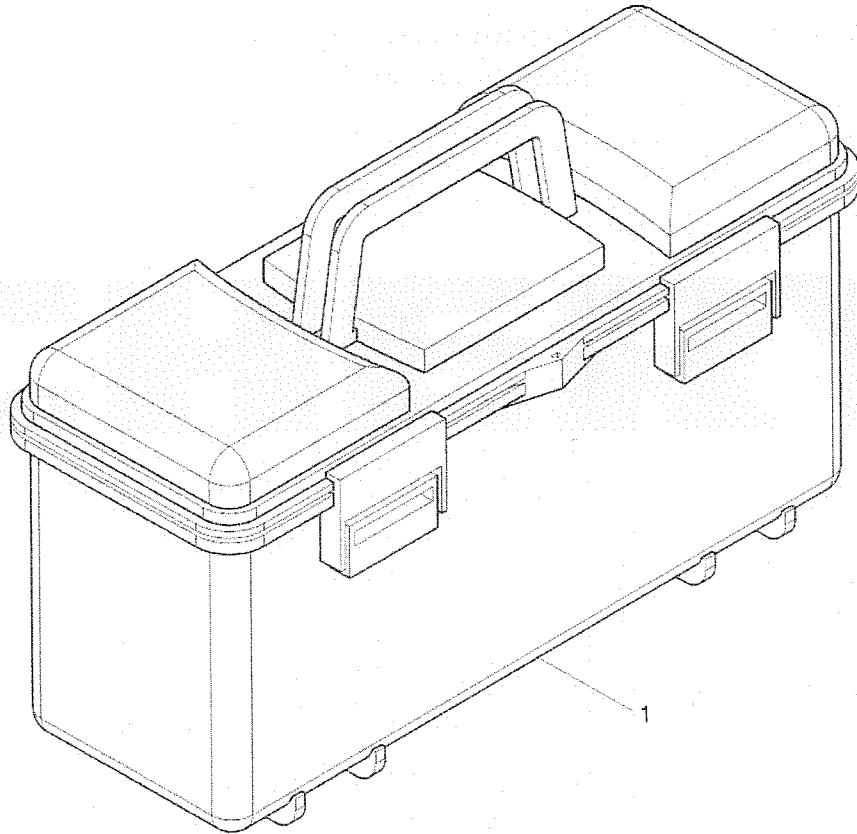


## D250.48C.001 Electrical Equipment Installation Drawing-6

S/N	Code and Specification of Part	Parts Name	Quantity	Remark
	D250.486	Instrument installing assembly	1	
1	D250.487A.3	Oil pressure indicator	1	
2	D250.487A.1a	Water thermometer	1	
3	D250.487A.2a	Oil level gauge	1	
4	D250.487A.4	Ammeter	1	
5	FD250.48.035	Air pressure gauge	1	
6	JK931	Direction indicator	1	



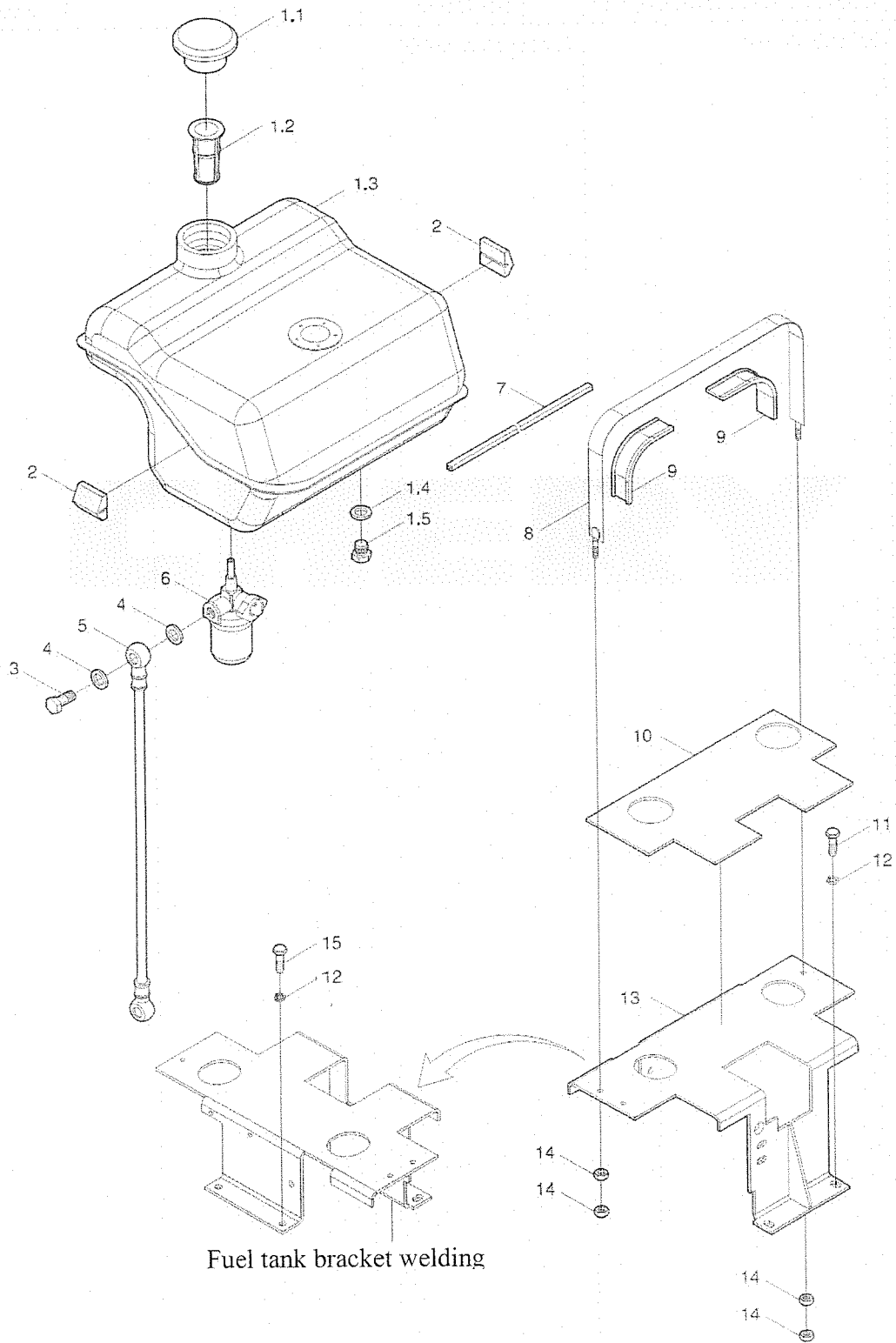
RC800.49.010 Tool Box Assembly



## RC800.49.010 Tool Box Assembly

S/N	Code and Specification of Part	Parts Name	Quantity	Remark
I	RC800.49.010	Tool box assembly	I	

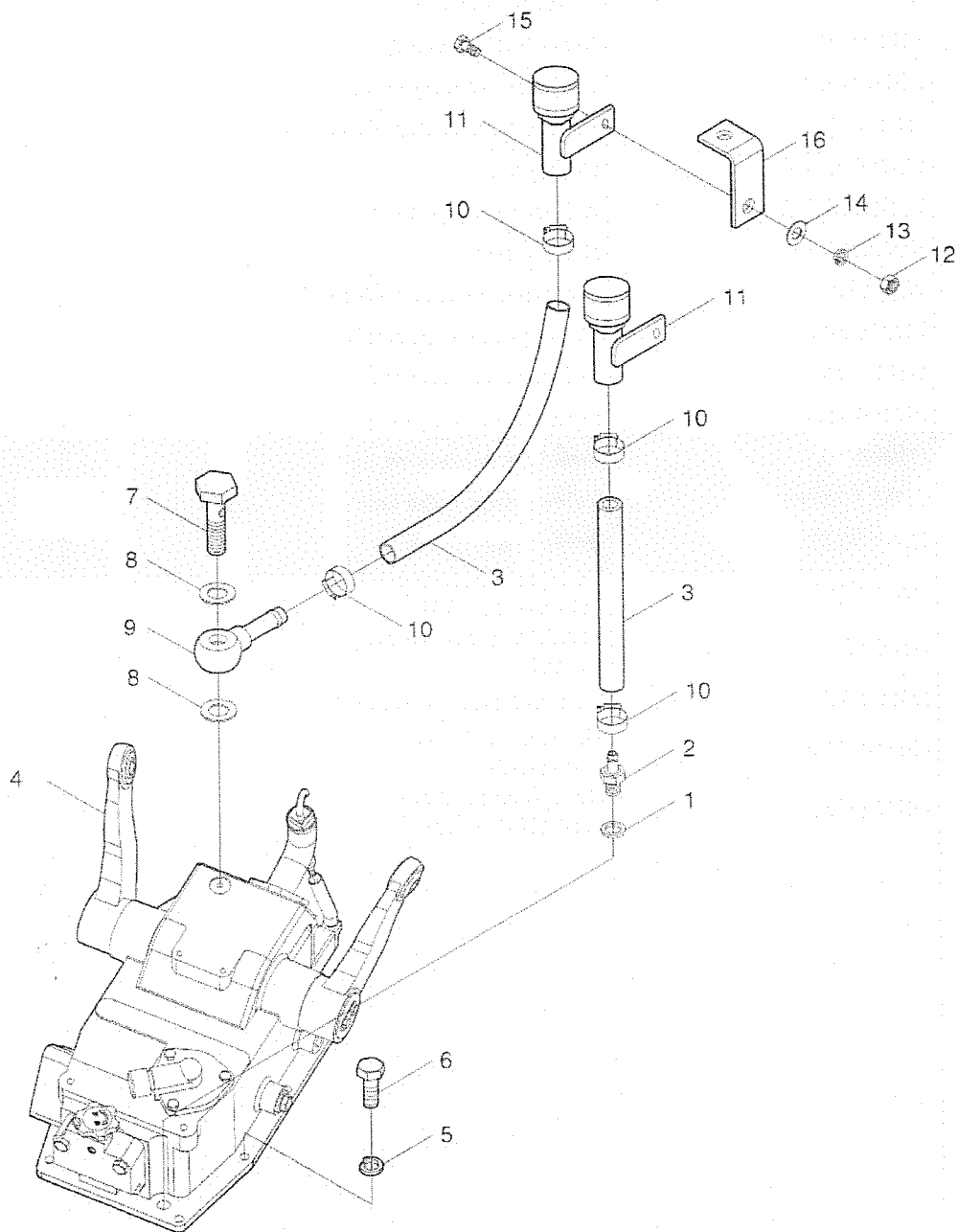
D300.50E Fuel Tank Assembly



## D300.50E Fuel Tank Assembly

S/N	Code and Specification of Part	Parts Name	Quantity	Remark
	D300.50E	Fuel tank assembly	1	
1	D300.50E.1	Fuel tank assembly	1	
1.1		Cover of fuel tank	1	
1.2	FD250.50.015a	Mesh filter assembly	1	
1.3	D300.50E.1.1	Fuel tank welding-on unit	1	
1.4	JB/T 982	Combination sealed washer 14	1	
1.5	FD250.50.107	Drain plug	1	
2	FD300.50.112	Rubber backing block	2	
3	FD65.50.106	Hollow bolt	1	
4	JB/T 982	Combination sealed washer 14	2	
5	FD250.50.023	Oil output pipe assembly	1	
6	D300.50A.3	Sediment cup assembly	1	
7	FD300.45.809	Press strip of top cover	1	
8	D300.50.4	Steel belt welding-on unit	1	
9	FD65.50.029a	Rubber strip on the tank	2	
10	D300.50-02	Rubber pad of tank	1	
11	GB/T 5783	Hexagonal head bolt M10X10-8.8-A3L	2	
12	GB/T 93	Standard spring washer 10-A0P	4	
13	D300.50.2A	Fuel tank bracket welding	1	
14	GB/T46170	1 type hexagon nut M10-8-A3L	4	
15	GB/T45783	Hexagonal head bolt M10X20-8.8-A3L	2	

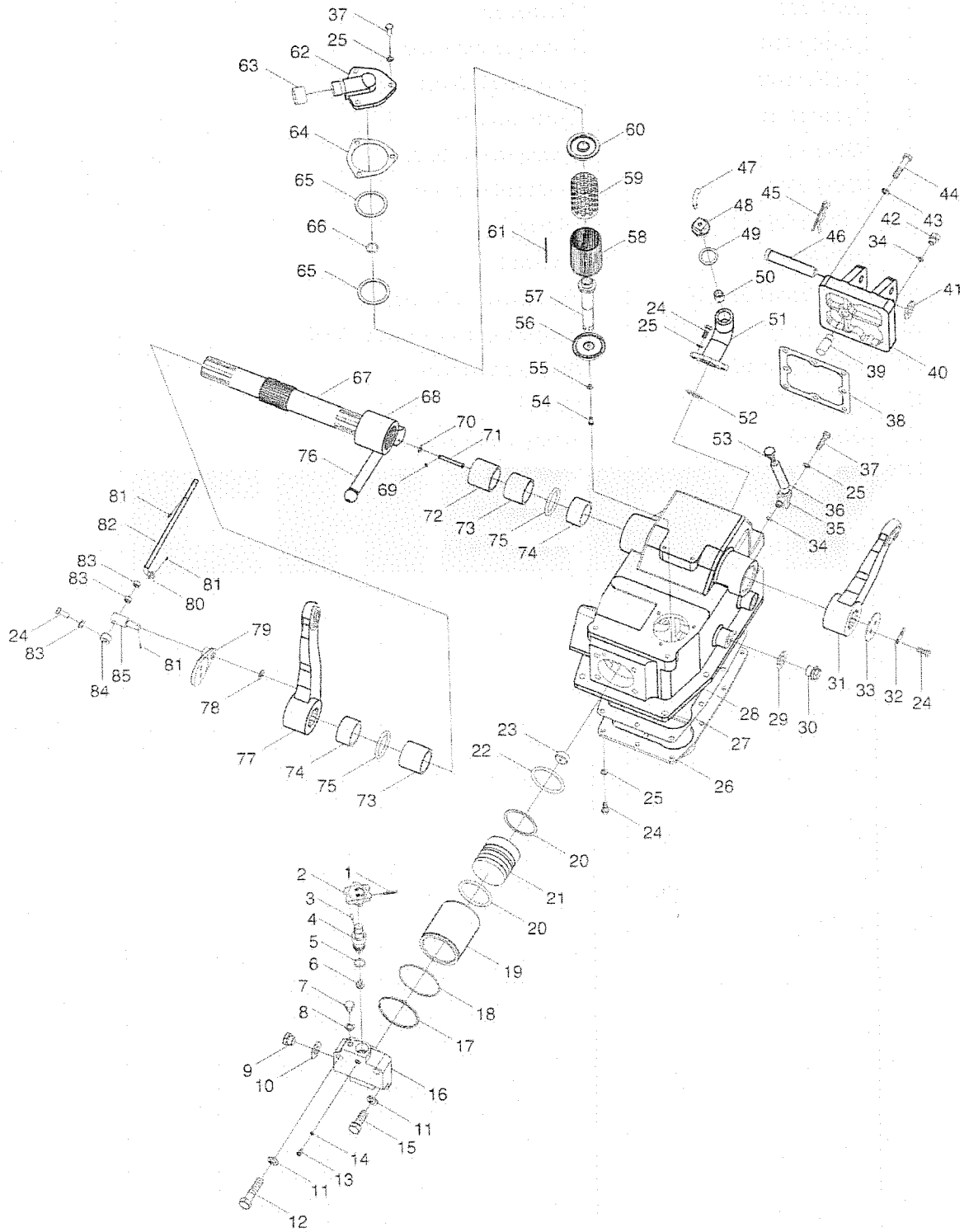
D250.55 Lifter Installing Assembly-1



## D250.55 Lifter Installing Assembly-1

S/N	Code and Specification of Part	Parts Name	Quantity	Remark
1	JB/T 982	Washer 12	1	
2	D354.371-01	Fitting of ventilator	1	
3	D250.55-01	Hose of ventilator	2	
4	D250.55.1a	Lifter assembly	1	
5	GB/T 93	Spring washer10-A0P	10	
6	GB/T 5783	Bolt M10X30-A3L	10	
7	FD700.55D.147	Hollow bolt	1	
8	JB/T982/////	Washer 8	2	
9	FD700.55D.025/////	Fitting assembly, oil pipe	1	
10	Q67512	A-type worm drive hose clamp	4	
11	RC800.55A.033	Breather assembly	2	
12	GB/T 6170	NutM8	2	
13	GB/T 93	Spring washer8-A0P	2	
14	GB/T 97.1	Washer8-A0P	2	
15	GB/T 5673	Bolt M8X20-A3L	2	
16	D250.55.101	Breather bracket	2	

D250.55 Lifter Installing Assembly-2

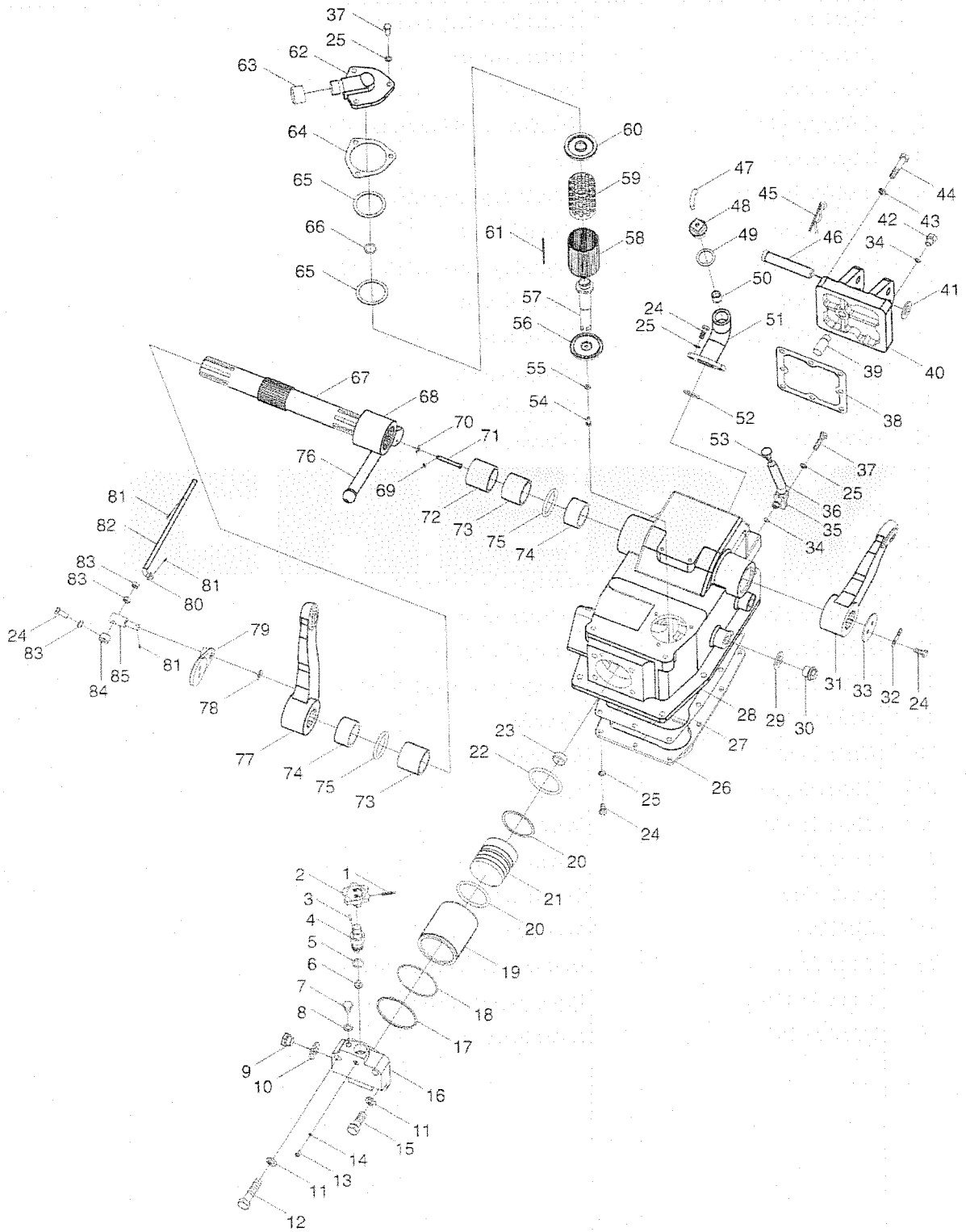


## D250.55 Lifter Installing Assembly-2

S/N	Code and Specification of Part	Parts Name	Quantity	Remark
	D250.55	Lifter installing assembly	1	
	D250.55.1a	Lifter assembly	1	
1	GB/T 829	Pin 4x20	1	
2	E300.55.140A	Handwheel of lowering valve	1	
3	300.55.138	Pin	1	
4	FD250.55.128A	Rod of adjusting valve	1	
5	GB/T 1235	O-ring22x2.4	1	
6	YT18.55.129	Adjusting valve M10x1x12	1	
7	JB/T 1000	Hexagon plug	1	
8	150D.55.227-2	Sealed ring	1	
9	25.55.109A	Hexagon plug	1	
10	JB/T 982	Washer18	1	
11	GB/T 93	Washer14		
12	GB/T 5782	BoltM14x60		
13	GB/T 828	ScrewM5x6x4	1	
14	GB/T 97.1	Washer 5	1	
15	YT18.55.152	Hexagon boltM14x38		
16	D250.55.126	Cylinder head	1	
17	D250.55.112	O-ring83x2.4	1	
18	D250.55.200	Circlip for rectangle shaft	1	
19	D250.55.102	Cylinder	1	
20	GB/T 3452.1	O-ring60x5.3		
21	220-1.55.130	Piston	1	
22	220-1.55.161	Washer	1	
23	25.55.207	Piston ball seat	1	
24	GB/T 5783	BoltM8x20	17	
25	GB/T293	Washer 8	16	
26	YT18.55.115-1	Bottom plate of lifter housing	1	
27	YT18.55.116-1	Paper gasket of bottom plate	1	
28	D250.55.101	Lifter housing	1	



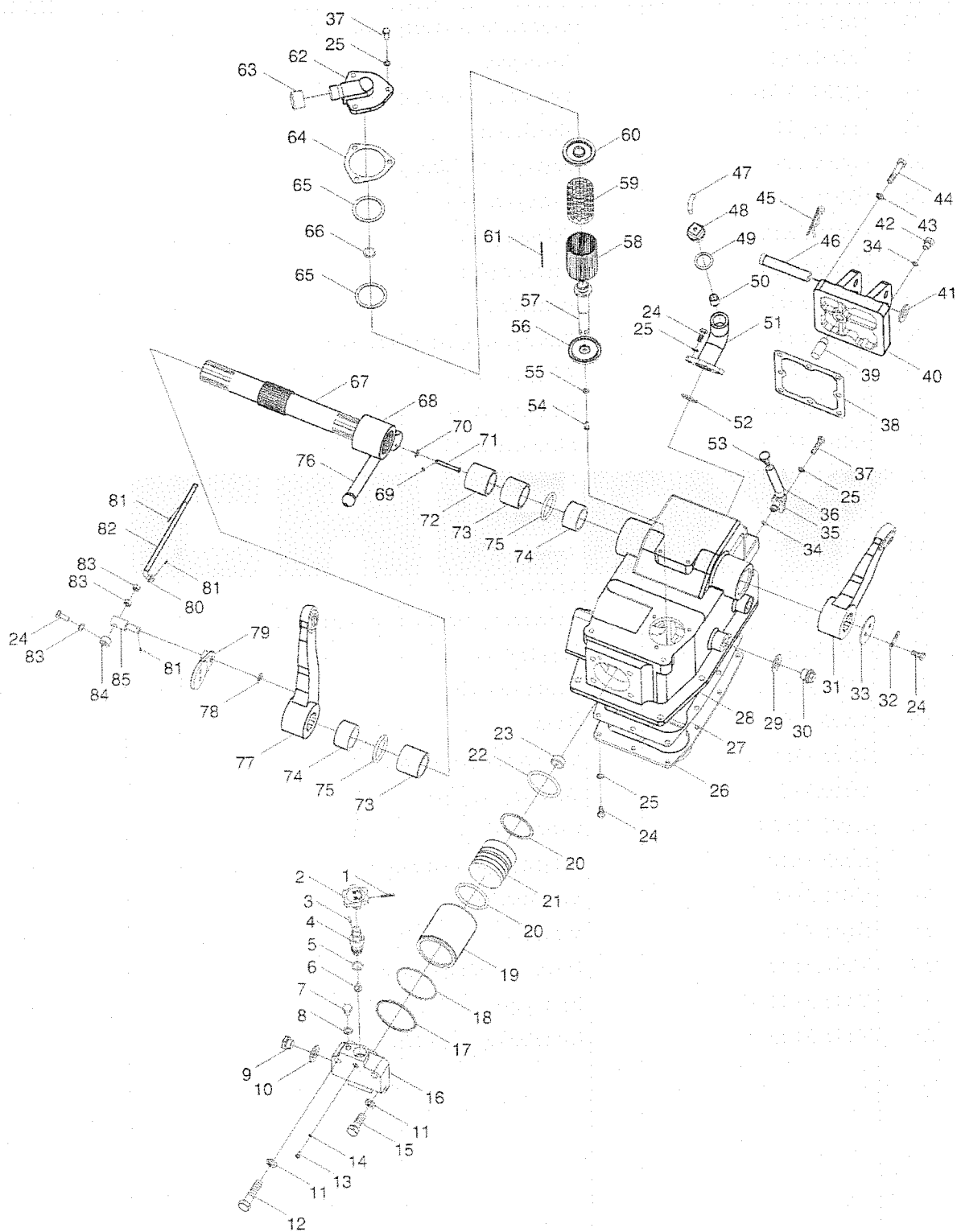
D250.55 Lifter Fitting Assembly-2 Continued



## D250.55 Lifter Fitting Assembly-2 Continued

S/N	Code and Specification of Part	Parts Name	Quantity	Remark
29	JB/T 982	Combination sealing gasket20	2	
30	FD65.55.117	Drain plug	2	
31	D250.55.014	Left lifting arm Assembly	1	
32	18.55.111	Check shim	1	
33	18.55.109	Press plate of lifting shaft	1	
34	GB/T 1234	O-ring12x1.9	2	
35	D250.55.103	Oil pipe joint	1	
36	D250.55.106	Dipstick pipe	1	
37	GB/T 5783	BoltM8x25	4	
38	18.55.159	Paper gasket, cap of rear end	1	
39	18.55.141	Arresting pin	1	
40	FD250.55.140	Rear end cover	1	
41	GB/T 97.1	Plain washer20	1	
42	18.55.108	Drain plug	1	
43	GB/T 93	Washer10	8	
44	GB/T15782	BoltM10x45	8	
45	150.31.105	Spring lock pin	1	
46	18.55.107	Connecting pin, front of upper link	1	
47	150.55.164	Nipple joint	1	
48	150.55.138-3	Ventilation plug	1	
49	18.55.104	Shim	1	
50	18.55.136	Core cover of oil charging	1	
51	D250.55.2	Oil charging pipe	1	
52	GB/T 3452.1	O-ring30x2.65	1	
53	D250.55.105	Oil gauge pressed unit	1	
54	GB/T 5781	Bolt M6x16	1	
55	GB/T 97.1	Washer 6	1	
56	YT18.54.120	Down cap of mesh filter	1	
57	YT18.54.118-1	Input pipe	1	
58	YT18.54.122	Oil intaking mesh filter	1	

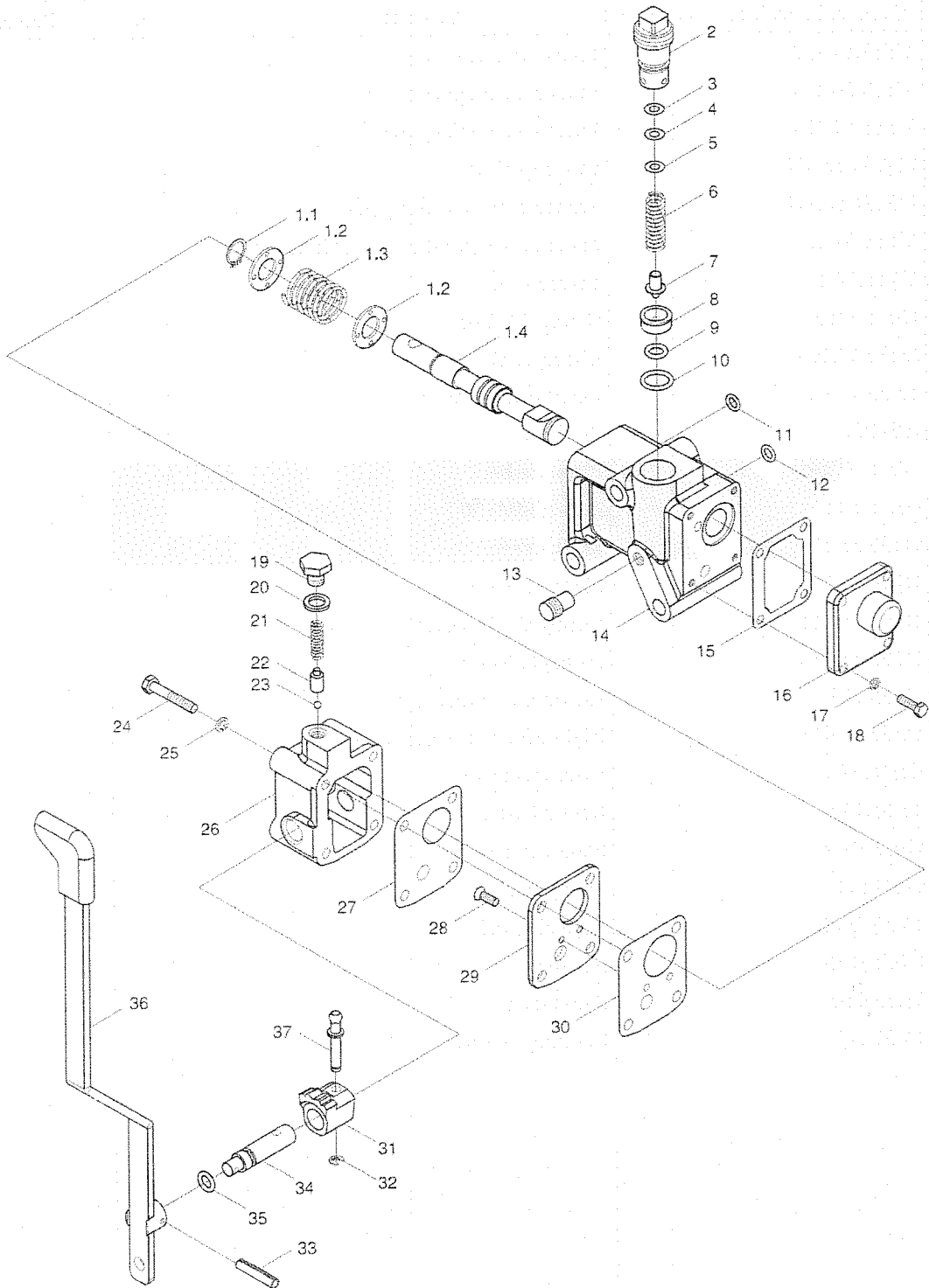
D250.55 Lifter Fitting Assembly-2 Continued



## D250.55 Lifter Fitting Assembly-2 Continued

S/N	Code and Specification of Part	Parts Name	Quantity	Remark
59	YT18.54.123	Frame of mesh filter	1	
60	YT18.54.119	Filter screen upper cover	1	
61	YT18.54.124	Filter screen joint piece	1	
62	FD254.58.138	Cover of filter	1	
63	FD254.58.140	Thread protector, input port	1	
64	YT18.54.125	Paper gasket, joint of oil intaking pipe	1	
65	YT18.54.121	Sealed shim	1	
66	GB/T 3452.1	O-ring 20x2.65	1	
67	D250.55.109	Lifting shaft	1	
68	18.55.133-1	Inner lifting arm	1	
69	GB/T91	Pin 2x12	1	
70	GB/T 97.1-6	Plain washer	1	
71	GB/T 882	Axis pinB6x50	1	
72	D250.55.114	Shaft sleeve	1	
73	D250.55.113	Shaft sleeve	2	
74	D250.55.111	Lifting shaft sleeve	2	
75	D250.55.110	O-ring43.3x4.7	2	
76	18.55.132	Knock-pin of piston	1	
77	D250.55.013	Right lifting arm assembly	1	
78	GB/T 97.1	Plain washer12	1	
79	18.55.145	Return baffle	1	
80	GB/T 97.1	Plain washer8	1	
81	GB/T591	Split pin2x16	3	
82	14.55.108A	Adjusting rod	1	
83	GB/T6170	Nut M8	3	
84	18.55.110	Stop block	1	
85	14.55.107	Limiting axis pin	1	

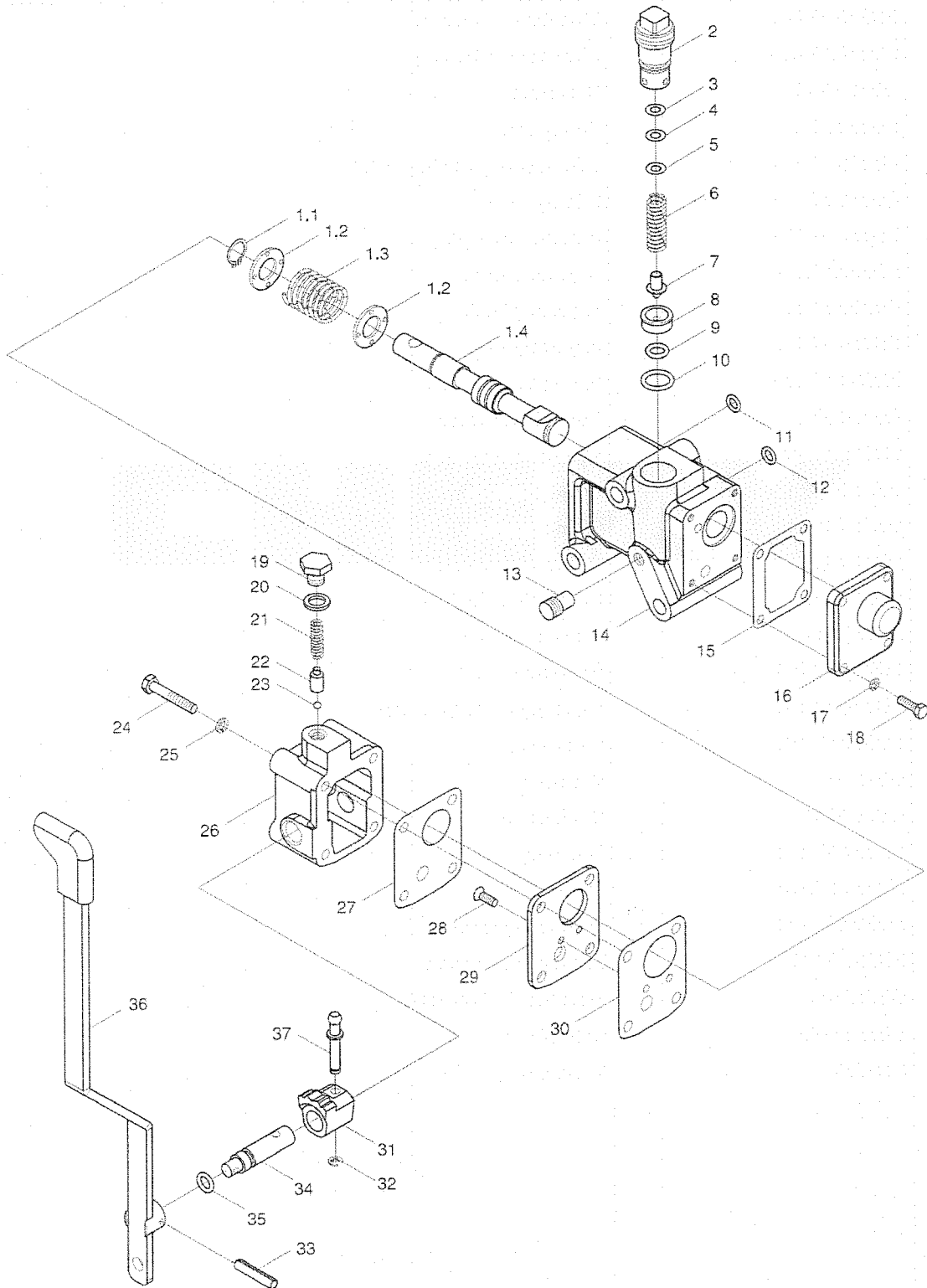
FD250.57.001 Distributor Assembly



## FD250.57.001 Distributor Assembly

S/N	Code and Specification of Part	Parts Name	Quantity	Remark
	FD250.57.001	Distributor assembly	1	
1	FD250.57.010	Slide valve assembly	1	
1.1	GB/T 894.1	Washer15	1	
1.2	FD250.57.115	Spring catch		
1.3	FD250.57.114	Return spring of slide valve	1	
1.4	FD250.57.113	Sliding valve	1	
2	FD250.57.128	Pressed screw plug	1	
3	FD250.57.110	Adjusting shim	1	
4	FD250.57.111	Adjusting shim	1	
5	FD250.57.112	Adjusting shim	1	
6	FD250.57.129	Spring of safe valve	1	
7	FD250.57.131	Core of safe valve	1	
8	FD250.57.101	Seat of of safe valve	1	
9	GB/T 3452.1	O ring 9x2.65G	1	
10	GB/T 3452.1	O ring 15x2.65G	1	
11	GB/T 3452.1	O ring 13.2x2.65G	1	
12	GB/T 3452.1	O ring 19x2.65G	1	
13	JB/ZQ 4447	Screw plugZ1/8	1	
14	FD250.57.104	Distributor case	1	
15	FD250.57.103	Paper gasket of front cap	1	
16	FD250.57.102	Front cover	1	
17	GB/T 93	Washer 5		
18	GB/T 5781	BoltM5x16		
19	FD250.57.123	Scre plug	1	
20	FD250.57.124	Shim	1	
21	FD250.57.122	Positioning spring	1	
22	FD250.57.121	Locating spring seat	1	
23	GB/T2308	Steel ball \$5.000G100b	1	
24	GB/T25780	BoltM6x55	4	
25	GB/T293	Washer 6	4	

FD250.57.001 Distributor Assembly Continued

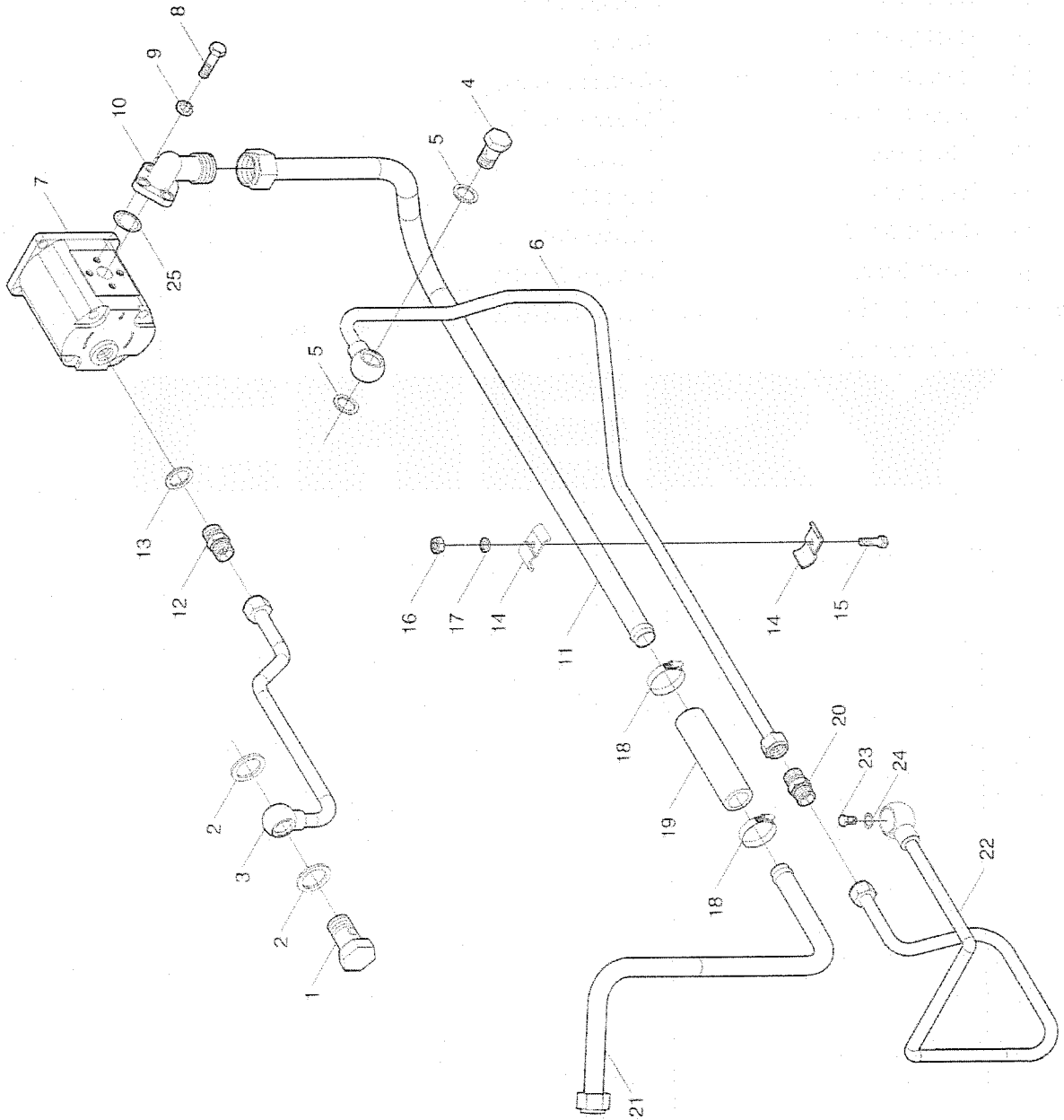


## FD250.57.001 Distributor Assembly Continued

S/N	Code and Specification of Part	Parts Name	Quantity	Remark
26	FD250.57.108	Rear cover	1	
27	FD250.57.107	Rear cover paper pad	1	
28	GB/T 68	ScrewM4x10		
29	FD250.57.106	Baffle	1	
30	FD250.57.105	Baffle paper pad	1	
31	FD250.57.119	Locating block	1	
32	GB/T 896	Washer4	1	
33	GB/T 879	Pin 4x22	1	
34	FD250.57.109	Handle shaft	1	
35	GB/T 3452.1	O ring 9.5x2.65G	1	
36	FD250.57.011	Handle assembly	1	
37	FD250.57.120	Shifting pin	1	



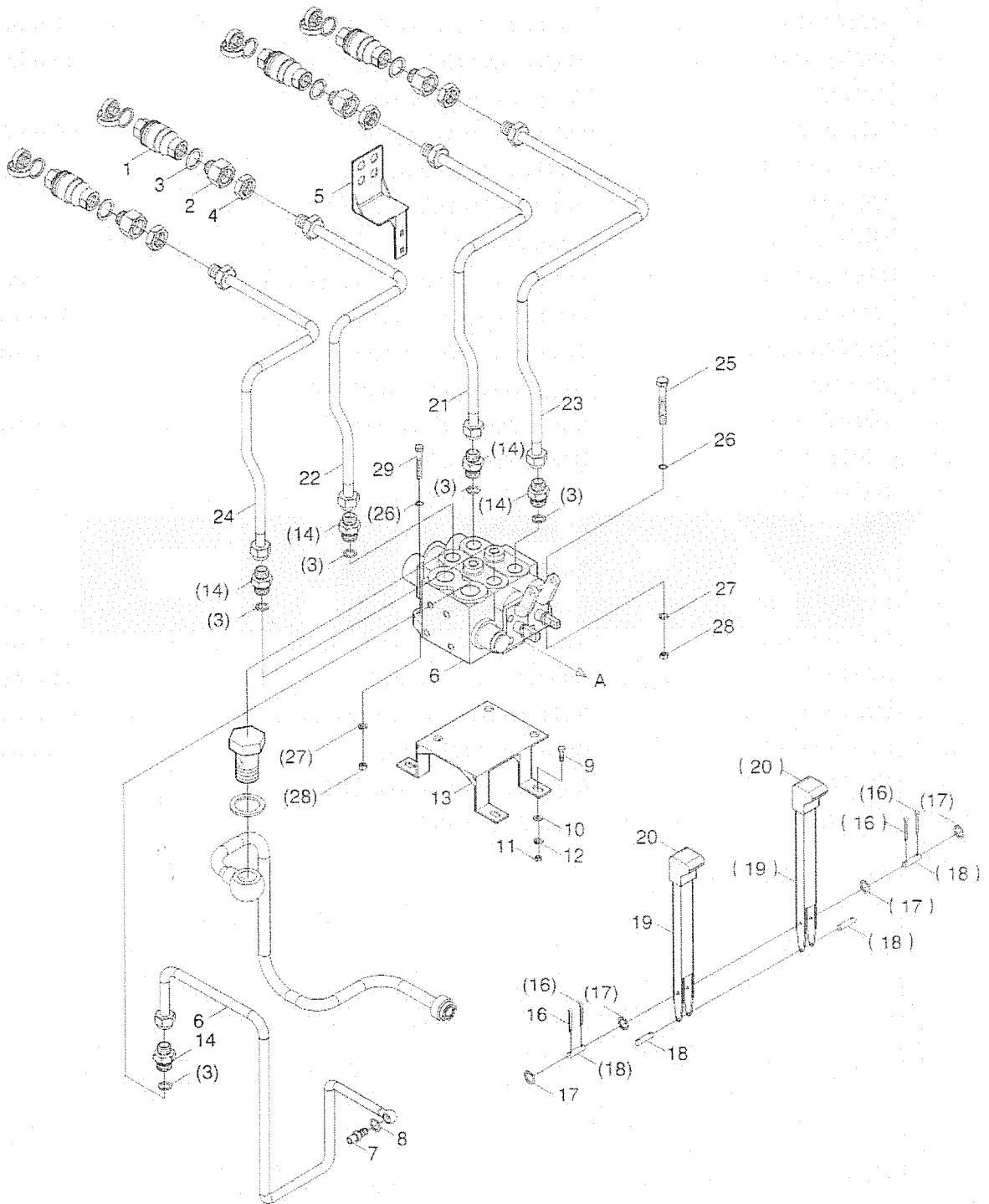
D254.58A.001 Hydraulic System Assembly -1



## D254.58A.001 Hydraulic System Assembly -1

S/N	Code and Specification of Part	Parts Name	Quantity	Remark
1	FD254.58.132	Hollow bolt M24\U+00D71.5x38	1	Borrowed
2	JB/T982-1977	A-type combination washer24	2	
3	D254.581B.2a	Pressure oil pipe assembly	1	Borrowed
4	RC800.40.101	Hollow boltM20X1.5X40	1	Borrowed
5	JB/T982	A-type combination washer20		
6	D254.582F.1	Oil input pipe assembly	1	Borrowed
7	FD254.58.010	CBJ30-E14L Gear pump	1	Borrowed
8	GB/T5783	Bolt M8\U?00D725-A3L		
9	GB/T93	Washer8-A0P		
10	FD254.58.136	Front-mounted fitting of pump pipe	1	Borrowed
11	D254.581F.1	Oil suction pipe assembly of oil pump	1	Borrowed
12	RC804.58A.112	Telescopic straight coupling	6	Borrowed
13	JB/T982	A-type combination washer 18	6	
14	D250.581C.3	Unit of pipe clip and rubber pad	4	Borrowed
15	GB/T5783-2000	Bolt M6X30-Zn.D	2	
16	GB/T6170-2000	nut M6-Zn.D	2	
17	GB/T93-1987	Washer6-Zn.D	2	
18	Q67638	B-type worm drive hose clip	2	
19	FD400.58A.102	Fuel suction hose	1	Borrowed
20	RC700.58A.101	Straight thread connector – body	1	Borrowed
21	D250.582.1	Oil suction pipe assembly	1	Borrowed
22	D254.58A.029A	Multiway valve oil inlet pipe assembly	1	Borrowed
23	RC300.58.101	Hollow boltM22x1.5x46	1	Borrowed
24	JB/T982	A-type combination washer22	7	
25	GBT3452.1	O ring 21.2A1.80G	1	

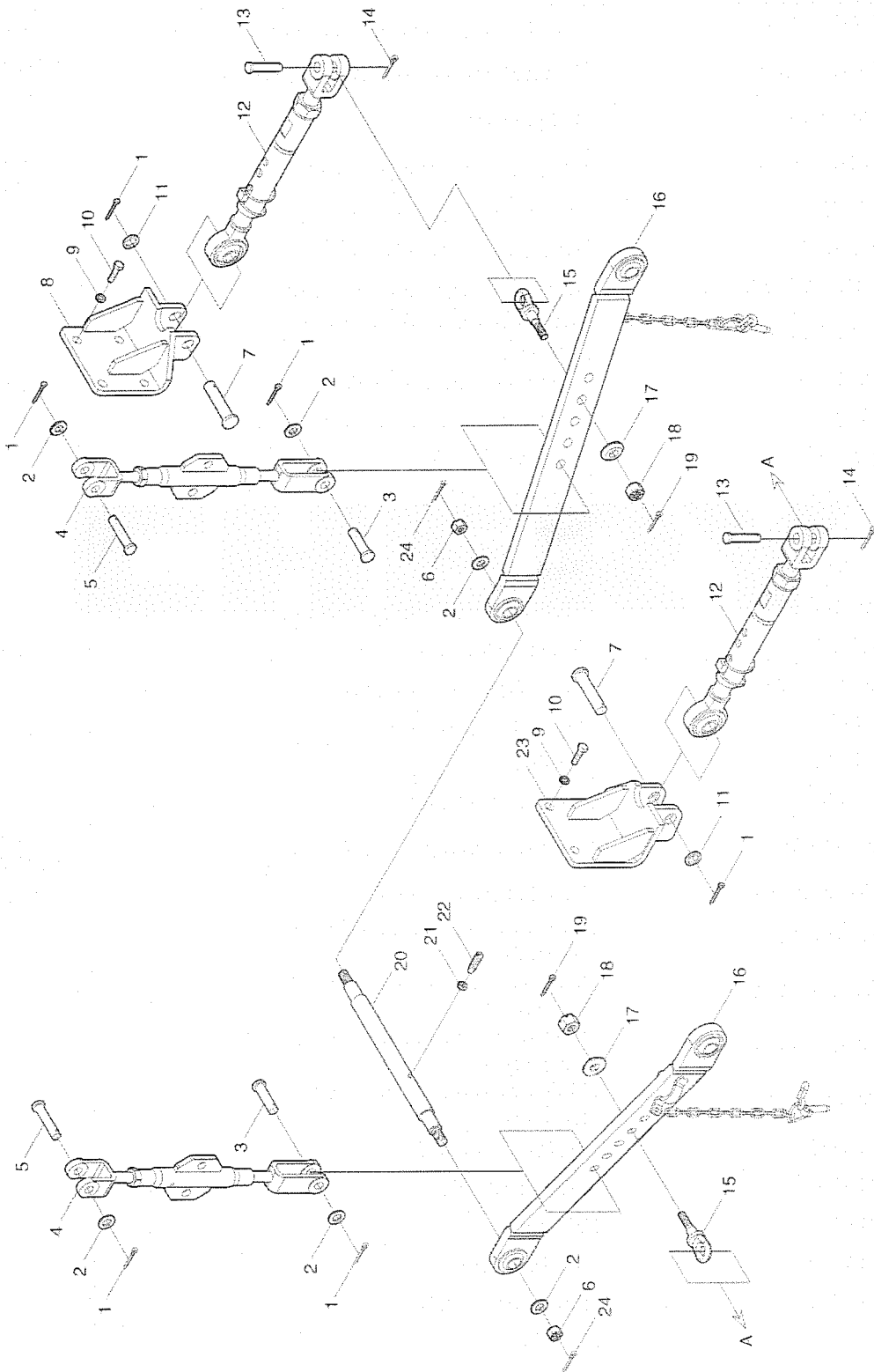
D254.58A.001 Hydraulic System Assembly-2



## D254.58A.001 Hydraulic System Assembly -2

S/N	Code and Specification of Part	Parts Name	Quantity	Remark
1	RC800.58A.080	Quick-change connector assembly	4	Borrowed
	RC800.58A.056	Hydraulic output joint (English system)	4	Borrowed, optional
2	RC800.58A.301	Oil pipe joint	4	Borrowed
	RC654.58B.101b	Oil pipe joint (English system)	4	Borrowed, optional
3	JB/T982	A-type combination washer22	7	
4	GB/T6173	Hexagon nutM27x2-A0P	4	
5	D250.58A.035A	Hydraulic output bracket welding	1	
6	D254.58A.030A	Multiway valve oil return pipe assembly	1	
7	RC804.58A.112	Telescopic straight coupling	6	Borrowed
8	JB/T982	A-type combination washer 18	6	
9	GB/T5783	Bolt M8x20-A3L	4	
10	GB/T97.1	Washer8-A0P	4	
11	GB/T6170	NutM8-A0P	4	
12	GB/T93	Washer 8-A0P	7	
13	D250.58A.027	Multiway valve bracket welding	1	
14	CD22-20	Straight connector – body	1	Borrowed
15	D254.58A.028	Multiway valve assembly	1	
16	GB/T91	Split pin 1.6x16-A0P	4	
17	GB/T97.1	Washer 4	4	
18	GB/T882	Axis pin 4x16-A3L	4	
19	D254.58A.108	Multiway valve control rod	2	Steel flat 5x20/Q235A
20	RC800.58A.064	Handle head assembly	2	Borrowed
21	D254.58A.031A	Multiway valve output oil pipe assembly 1	1	
22	D254.58A.034A	Multiway valve output oil pipe assembly 4	1	
23	D254.58A.033A	Multiway valve output oil pipe assembly 3	1	
24	D254.58A.032A	Multiway valve output oil pipe assembly 2	1	
25	GB/T5783	Bolt M10x45-A3L	1	
26	GB/T97.1	Washer 10-A0P	3	
27	GB/T93	Washer 10	3	
28	GB/T6170	Nut M10-A0P	3	
29	GB/T5783	Bolt M10x35-A3L	2	

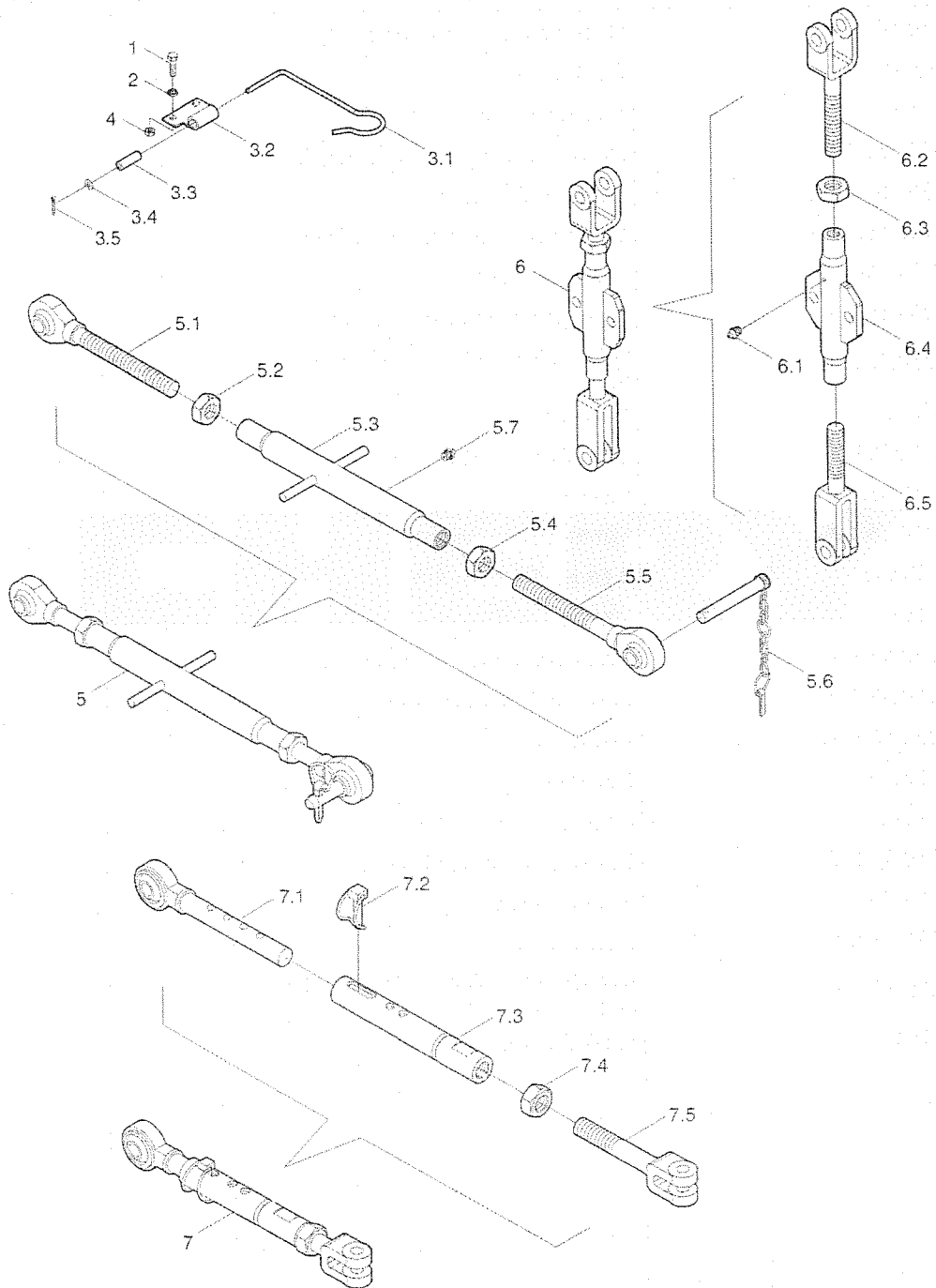
FD250.56.001 Hitching Mechanism Assembly-1



## FD250.56.001 Hitching Mechanism Assembly-1

S/N	Code and Specification of Part	Parts Name	Quantity	Remark
	D250.56	Hitching mechanism assembly	1	
1	GB/T91	Pin 4x28-A0P	6	
2	GB/T 97.1	Washer16-A0P	6	
3	FD250.56.104	Down connecting pin of lifting bar	2	
4	FD250.56.011	Lifting rod assembly	2	
5	FD250.56.101a	Upper connecting pin of lifting bar	2	
6	GB/T6178	Nut M16-A3L	2	
7	FD250.56.106	Connecting pin of spacing link	2	
8	FD250.56.015	Right spacing link support welding-on unit	1	
9	GB/T 93	Washer14-A0P	8	
10	GB/T 5783	Bolt M14x35-A3L	8	
11	FD250.56.103	Sleeve	2	
12	FD250.56.016a	Limiting rod assembly	2	
13	GB/T1882	Axis pin B16x55-A0P	2	
14	GB/T91	Pin 5x32-A0P	2	
15	FD250.56.138a	Rear connecting pin of limiting rod	2	
16	FD250.56.013	Lower pull rod assembly	2	
17	FD250.56.139a	Round plate	2	
18	GB/T6178	Nut M14-A3L	2	
19	GB/T191	Cotter pin 3.2x28-A0P	2	
20	FD250.56.102	Lower pull rod fixing shaft	1	
21	GB/T6172.1	Nut M12-A3L	1	
22	FD250.56.125	Check screw	1	
23	FD250.56.018	Left spacing link support welding-on unit	1	
24	GB/T91	Pin 4x36-A0P	2	

FD250.56.001 Hitching Mechanism Assembly-2

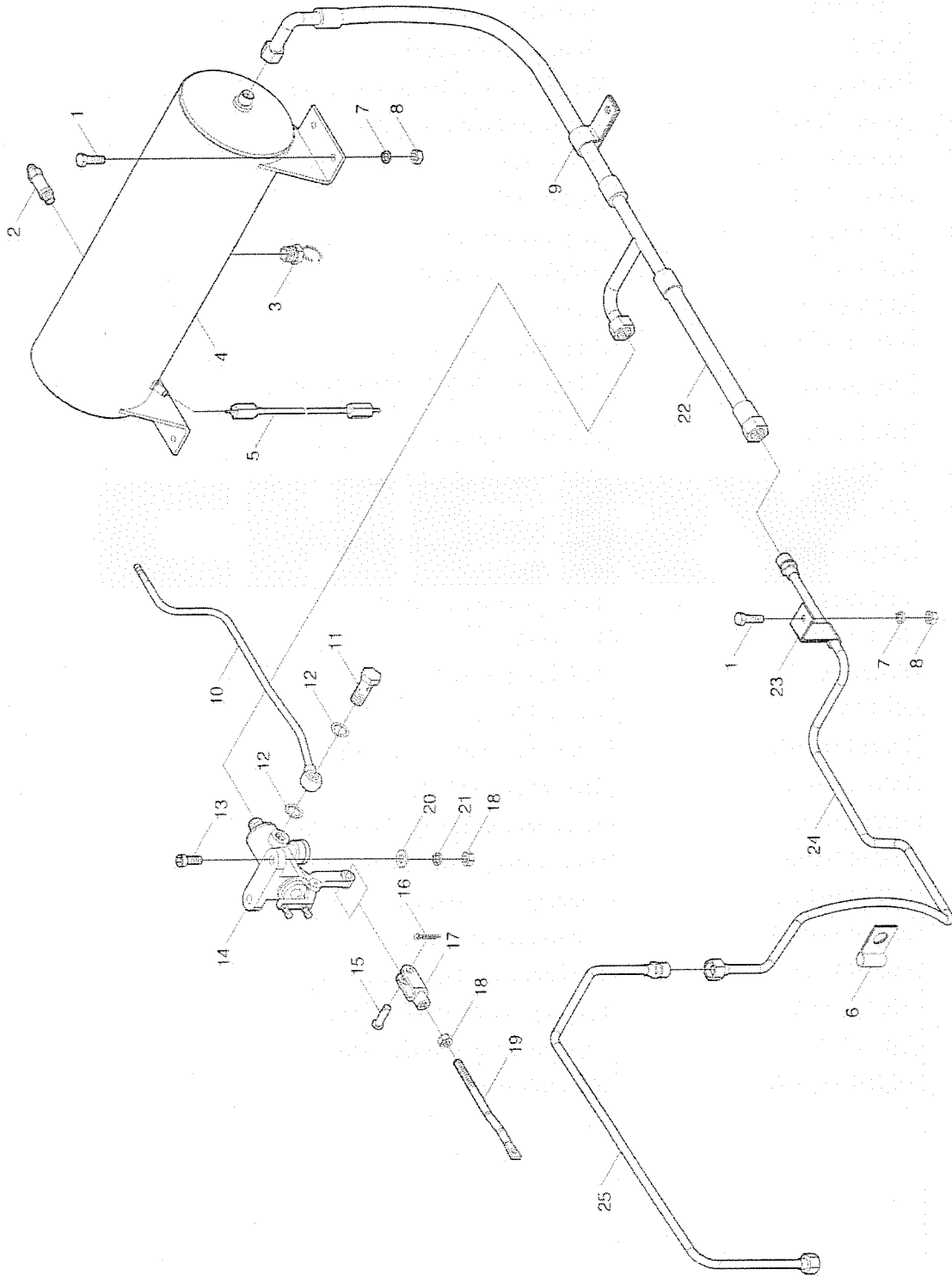


## FD250.56.001 Hitching Mechanism Assembly-2

S/N	Code and Specification of Part	Parts Name	Quantity	Remark
	D250.56	Hitching mechanism assembly	1	
1	GB/T 5783	Bolt M8x16-A2L	2	
2	GB/T 93	Spring washer8-A0P	2	
3	D300.56.6	Upper pull rod fixing clip assembly	1	
3.1	D300.56.6-02	Upper pull rod fixing clip	1	
3.2	D300.56.6-01	Fixing seat	1	
3.3	D300.56.6-03	Nylon bush	1	
3.4	GB/T 96.1	Big washer6-A0P	1	
3.5	GB/T 91	Split pin 2x14-A0P	1	
4	GB/T 6170	Nut8-A2L		
5	FD250.56.012a	Upper pull rod assembly	1	
5.1	FD250.56.017	Upper pull rod front adjusting rod assembly	1	
5.2	GB/T 6171	Nut M22x1.5-A3L	1	
5S3	FD250.56.031	Adjusting screw pipe welding-on unit	1	
5S4	GB/T6171	Nut M22x1.5LH-A3L	1	
5S5	FD250.56.019	Upper pull rod rear adjusting rod assembly	1	
5.6	FD300.56A.113	Lock pin chain assembly	1	
5.7	JB/T 7940.1	Oil cupM6	1	
6	FD250.56.011	Lifting rod assembly	1	
6.1	JB/T 7940.1	Oil cupM6	1	
6.2	FD250.56.107a	Lifting rod upper connecting fork	1	
6S3	D250.56.1-02	Trapezoidal nutTr18x2	1	
6S4	FD250.56.022a	Screw pipe assembly of lifting bar	1	
6S5	FD250.56.108a	Down towing yoke of lifting bar	1	
7	FD250.56.016a	Limiting rod assembly	1	
7S1	FD250.56.023B	Telescopic bar assembly	1	
7S2	FD250.56.021	Lock pin assembly, spacing link	1	
7S3	FD250.56.025C	Spacing collar welding-on unit	1	
7S4	GB/T6170	1 type hexagon nutM22-8-A9L	1	
7S5	FD250.56.134B	Adjusting screw	1	



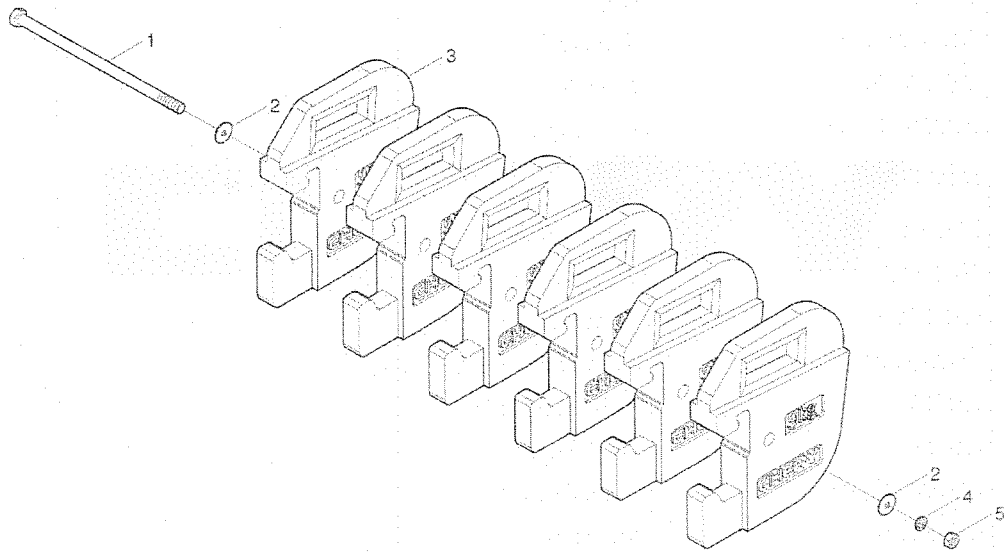
D250B.80 Air Brake Pipe Assembly



## D250B.80 Air Brake Pipe Assembly

S/N	Code and Specification of Part	Parts Name	Quantity	Remark
	D250B.80	Air brake pipe assembly	1	
1	GB/T 5783-2000	BoltM8x20	5	
2	FD300.80.034	Safety valve assembly	1	
3	FD250.80.033	Drain valve assembly	1	
4	D250B.80.6	Air receiver welding-on unit	1	
5	FD250.80.019	Air pressure gauge connecting pipe assembly	1	
6	D250B.80-01	Clip	1	
7	GB/T 93-1987	Washer 8	5	
8	GB/T6170	NutM8	5	
9	FD250.80.142	Pipe clip I	1	
10	D250B.80.5	Nipple connection welding-on unit, trailer	1	
11	FD65.50.106	Hollow bolt	1	
12	JB/T 982	Combination sealed washer 14	2	
13	GB/T70.3	ScrewM10x30	2	
14	FD250.80.024	Air brake valve assembly	1	
15	GB/T882	Axis pinB10x30	1	
16	GB/T91	Pin 2.5x25	1	
17	FD300.80.105	Adjusting fork	1	
18	GB/T6170	Nut M10	3	
19	FD250.80.101	Connecting rod	1	
20	GB/T 97.1	Washer 10	2	
21	GB/T 93	Washer 10	2	
22	D250.80.3a	Air brake hose unit	1	
23	FD250.80.143	Mounting clip n	1	
24	D250B.80.2a	Connecting pipe welding	1	
25	D250B.80.1	Air outlet welding-On unit, air compressor	1	

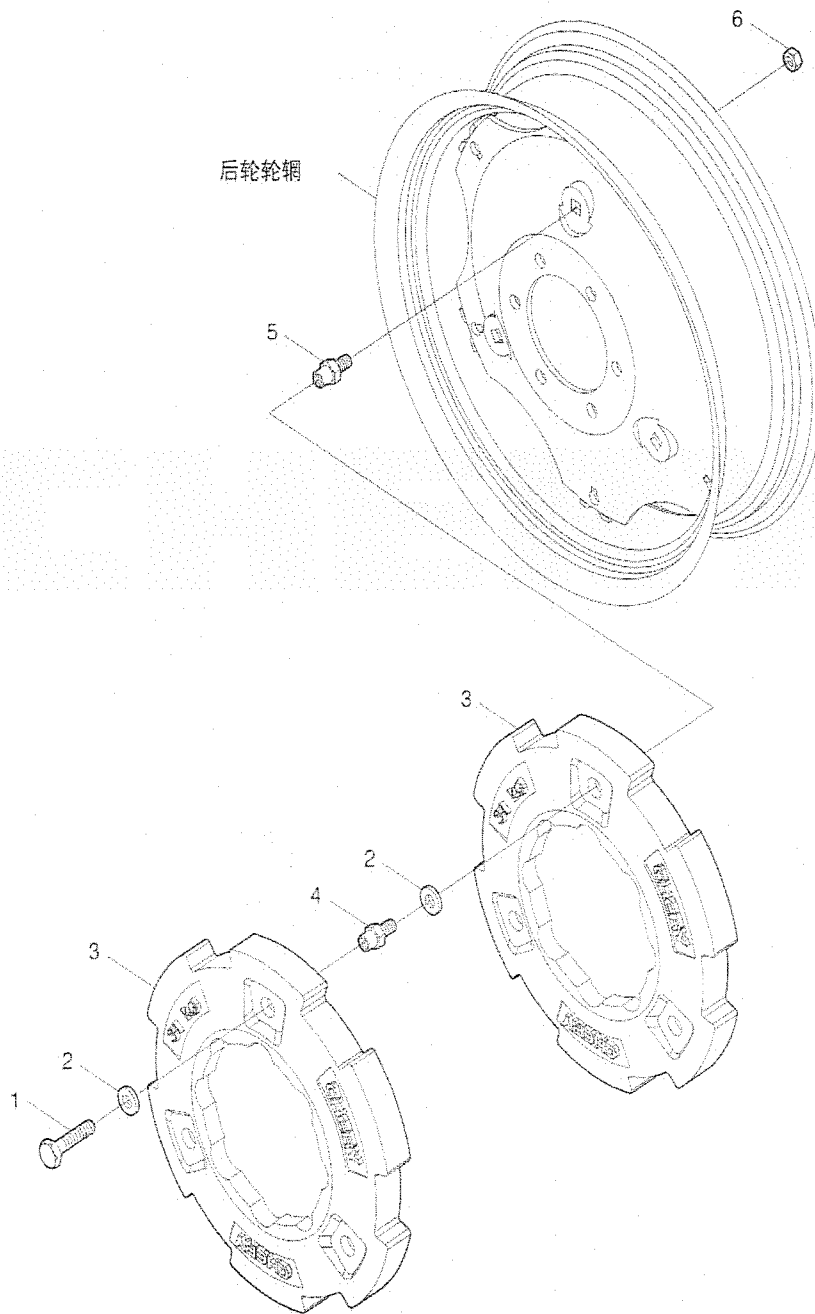
D250.74C.001 Front Balance Weight Assembly



## D250.74C.001 Front Balance Weight Assembly

S/N	Code and Specification of Part	Parts Name	Quantity	Remark
1	FD250.74.102	Fixing bolt of weights	1	
2	CB/T 97.1	Washer12-A0P	2	
3	D250.74C.103	Counterweight block	6	
4	GB/T 93	Washer12-A0P	1	
5	GB/T6170	Nut M12-A3L	1	

D250.91.001 Rear Weights Assembly



## D250.91.001 Rear Weights Assembly

S/N	Code and Specification of Part	Parts Name	Quantity	Remark
	D250.91.001	Rear weights assembly	1	
1	GB/T 5786	Hexagonal head bolt M16x1.5x35-8.8-A3L	3	
2	RC800.34.108	Big washer	6	
3	D250.34.201	Rear counterweight	2	
4	D250.91B.103	Screw of weights	3	
5	D250.91B.102	Counterweight screw I	3	
6	GB/T 6171-2000	1 type hexagon nut M16X1.5	3	

Parts Catalogue of RD254 Wheeled Tractor  
Prepared by Chery Heavy Industry Co., Ltd.  
Internal materials Keep carefully!  
Format: 880x12301A6 Number: RD254LJ-00.1  
1st Edition of 2013; first printed in June 2013

# **CHERY**

FOR A GREEN FUTURE

**CHERY HEAVY INDUSTRY CO.,LTD.**

Add.: No.16 Exi Rd, Sanshan economic development zone, Wuhu City, Anhui Province.

Manufacturer: Chery Heavy Industry Henan Co.,Ltd

Plant site: No.98 Songcheng Rd, Kaifeng City, Henan Province.

Sales hotline: (86)10-63707028

Service hotline: (86)10-63707178

E-mail:sales@cheryhi.com

Website: www.cheryhi.cn